

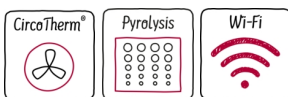
N 50, Built-in oven, 60 x 60 cm, Stainless steel  
B2ACH7HH0B



COOKING PASSION SINCE 1877



A



Neff CircoTherm® - the unique hot-air system for simultaneous baking and roasting on up to 3 levels.

- ✓ CircoTherm® – Smart hot-air solution that lets you bake on up to three levels at once.
- ✓ Dual cleaning options: Pyrolytic cleaning programmes - just let the oven interior clean itself. EasyClean - the quick and easy option for day to day maintenance.
- ✓ LCD-Display – simple, straightforward with large characters for clear reading
- ✓ Home Connect – Unleash your creativity via app.
- ✓ Cliprails – Place dishes exactly where you want them in your oven.

#### Features

##### Technical Data

Color / Material Front : Stainless steel  
 Construction type : Built-in  
 Integrated Cleaning system : Pyrolytic+Hydrolytic  
 Required niche size for installation (HxWxD) : 585-595 x 560-568 x 550 mm  
 Dimensions : 595 x 594 x 548 mm  
 Dimensions of the packed product (HxWxD) : 675 x 690 x 660 mm  
 Control Panel Material : Glass  
 Door Material : Glass  
 Net weight : 38.142 kg  
 Usable volume of cavity : 71 l  
 Cooking method : Bottom heat, Bread Baking Setting, Conventional heat, Full width grill, Hot Air, Hotair gentle, Hot air grilling, Pizza setting  
 First cavity material : Other  
 Oven control : electronic  
 Number of interior lights : 1  
 Approval certificates : CE, VDE  
 Length of electrical supply cord : 120 cm  
 EAN code : 4242004245483  
 Number of cavities (2010/30/EC) : 1  
 Energy efficiency rating : A  
 Energy consumption per cycle conventional (2010/30/EC) : 0.99 kWh/cycle  
 Energy consumption per cycle forced air convection (2010/30/EC) : 0.81 kWh/cycle  
 Energy efficiency index (2010/30/EC) : 95.3 %  
 Connection rating : 2990 W  
 Fuse protection : 13 A  
 Voltage : 220-240 V  
 Frequency : 50; 60 Hz  
 Plug type : no plug

#### Optional accessories

Z11AB15A0	Baking tray, non-stick ceramic coated
Z11CB10E0	Baking tray, grey enamelled
Z11CR10X0	Baking and roasting grid (standard)
Z11TF36X0	3 level telescopic rails, full ext
Z11TI15X0	Cliprails
Z1913X0	Baking Stone



## Features

### Design

- LCD-Display Control (white)
- Elongated designed dials, Retractable control dials, Bevelled oval controls
- Bar handle
- Cavity inner surface: enamel grey
- 4 shelf positions

### Features

- HomeConnect ready on WLAN
- Door lock during pyrolytic cleaning  
Control panel lock  
Automatic safety switch off  
Residual heat indicator  
Door contact switch
- Temperature proposal  
Actual temperature display  
Heating up indicator  
Automatic start
- Interior halogen light, On/off button
- 1 Clip rail, Stop function

### Cleaning

- Pyrolytic cleaning
- EasyClean
- Full glass inner door

### Programmes/functions

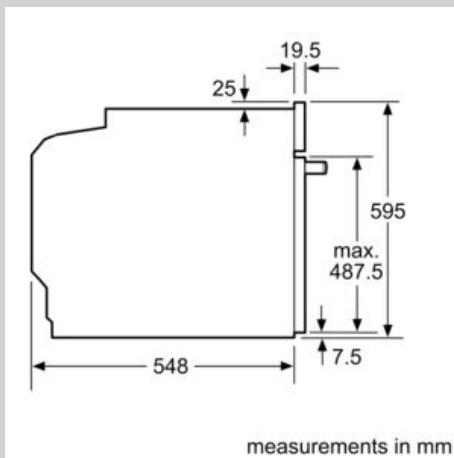
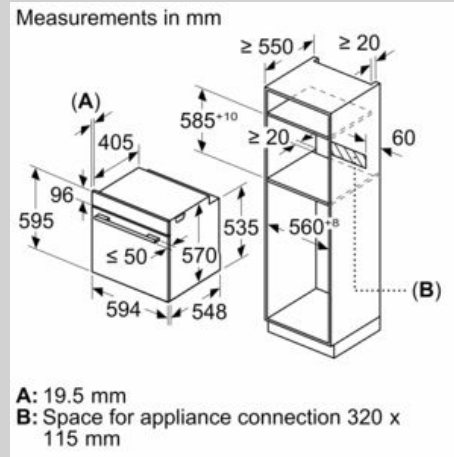
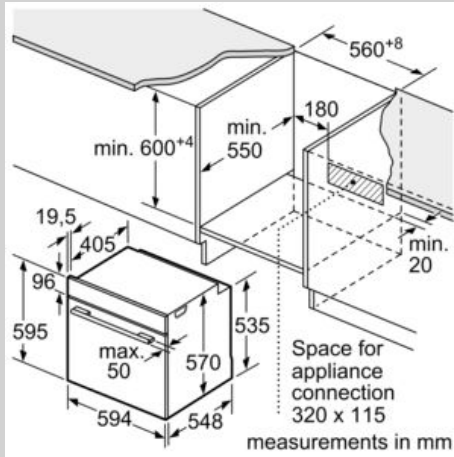
- Oven with 8 cooking functions: 8 cooking functions: heating methods: CircoTherm®, Top/bottom heat, Circo-roasting, Full surface grill, CircoTherm® intensive, Bread baking, Bottom heat, CircoTherm® gentle
- Rapid heat
- Cooling fan

### Performance/technical information

- Energy efficiency rating (acc. EU Nr. 65/2014): A  
Energy consumption per cycle in conventional mode: 0.99 kWh  
Energy consumption per cycle in fan-forced convection mode: 0.81 kWh  
Number of cavities: Main cavity  
Heat source: electrical  
Cavity volume: 71 litre
- Total connected load electric: 2.99 KW
- 120 cm Cable length
- Nominal voltage: 220 - 240 V
- Appliance dimension (hxwxh): 595 mm x 594 mm x 548 mm
- Niche dimension (hxwxh): 585 mm - 595 mm x 560 mm - 568 mm x 550 mm
- Please refer to the dimensions provided in the installation manual

N 50, Built-in oven, 60 x 60 cm, Stainless steel  
B2ACH7HH0B

Dimensioned drawings



Installation with a hob.

