

N 50, Built-in oven with added steam function, 60 x 60 cm,  
Stainless steel  
B4AVH1AH0B



A



Built-in oven with Added Steam and Slide&Hide® - a gentle touch is enough to add steam and to have unrestricted access to the oven interior thanks to the fully retracting oven door with rotating handle

- ✓ Slide&Hide® - The fully disappearing oven door with rotating handle.
- ✓ CircoTherm® - Smart hot-air solution that lets you bake on up to three levels at once.
- ✓ LCD-Display - simple, straightforward with large characters for clear reading
- ✓ Home Connect - Unleash your creativity via app.
- ✓ Automatic programmes - Your kitchen helper with just the right default settings.

#### Features

##### Technical Data

Color / Material Front : Stainless steel  
 Construction type : Built-in  
 Integrated Cleaning system : Catalytic partial  
 Required niche size for installation (HxWxD) : 585-595 x 560-568 x 550 mm  
 Dimensions : 595 x 594 x 548 mm  
 Dimensions of the packed product (HxWxD) : 660 x 690 x 660 mm  
 Control Panel Material : Glass  
 Door Material : Glass  
 Net weight : 35.824 kg  
 Usable volume of cavity : 71 l  
 Cooking method : Bread Baking Setting, Conventional heat, Full width grill, Hot Air, Hotair gentle, Hot air grilling, Pizza setting  
 First cavity material : Other  
 Oven control : electronic  
 Number of interior lights : 1  
 Approval certificates : CE, VDE  
 Length of electrical supply cord : 120 cm  
 EAN code : 4242004243564  
 Number of cavities (2010/30/EC) : 1  
 Energy efficiency rating : A  
 Energy consumption per cycle conventional (2010/30/EC) : 1.04 kWh/cycle  
 Energy consumption per cycle forced air convection (2010/30/EC) : 0.81 kWh/cycle  
 Energy efficiency index (2010/30/EC) : 95.3 %  
 Connection rating : 3600 W  
 Fuse protection : 16 A  
 Voltage : 220-240 V  
 Frequency : 50; 60 Hz  
 Plug type : no plug

#### Optional accessories

Z11AB15A0	Baking tray, non-stick ceramic coated
Z11CB10E0	Baking tray, grey enamelled
Z11CR10X0	Baking and roasting grid (standard)
Z11TF36X0	3 level telescopic rails, full ext
Z11TI15X0	Cliprails
Z12CQ10A0	Grill tray, anthracite enamelled
Z1913X0	Baking Stone



4 242004 243564

*N 50, Built-in oven with added steam function, 60  
x 60 cm, Stainless steel*  
B4AVH1AH0B

## Features

### Design

- LCD-Display Control (white)
- Cavity inner surface: enamel grey
- Electronic clock timer
- 4 shelf positions
- Elongated designed dials, Retractable control dials, Bevelled oval controls
- Slide&Hide® with rotating handle

### Features

- HomeConnect ready on WLAN
- Control panel lock  
Automatic safety switch off  
Residual heat indicator  
Door contact switch
- Automatic programmes
- Temperature proposal  
Actual temperature display  
Heating up indicator  
automatic programmes:  
Automatic start
- Interior halogen light, On/off button
- Water tank capacity with a volume of 220ml
- Location of water tank: Outside cavity

### Cleaning

- EcoClean Direct : back panel
- Full glass inner door

### Programmes/functions

- Oven with 8 heating methods: CircoTherm®, Top/bottom heat, Circo-roasting, Full surface grill, CircoTherm® intensive, Bread baking, CircoTherm® gentle, Reheat with steam
- Heating modes in combination with steam function: CircoTherm®, Circo-roasting, Top/bottom heat
- Additional functions:  
De-scaling programme
- Number of automatic programmes: 15
- Rapid heat
- Cooling fan

### Accessories

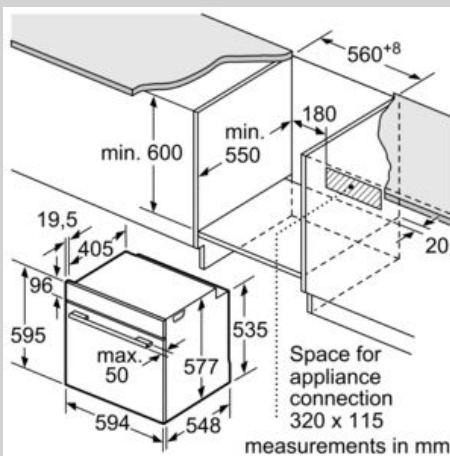
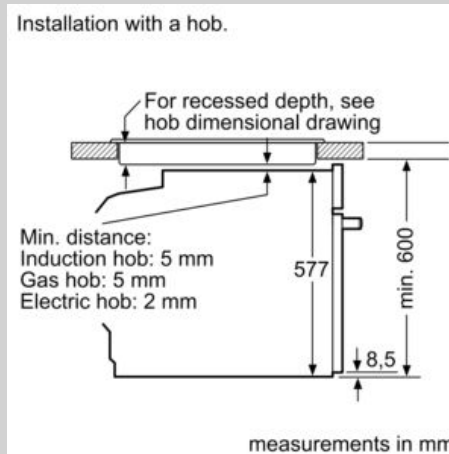
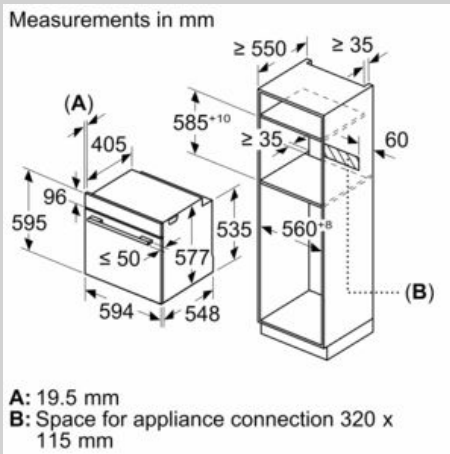
- 2 x combination grid, 1 x universal pan

### Performance/technical information

- Energy efficiency rating (acc. EU Nr. 65/2014): A  
Energy consumption per cycle in conventional mode: 1.04 kWh  
Energy consumption per cycle in fan-forced convection mode: 0.81 kWh  
Number of cavities: Main cavity  
Heat source: electrical  
Cavity volume: 71 litre
- Total connected load electric: 3.6 KW
- 120 cm Cable length
- Nominal voltage: 220 - 240 V
- Appliance dimension (hxwxd): 595 mm x 594 mm x 548 mm
- Niche dimension (hxwxd): 585 mm - 595 mm x 560 mm - 568 mm x 550 mm
- Please refer to the dimensions provided in the installation manual

N 50, Built-in oven with added steam function, 60 x 60 cm, Stainless steel  
B4AVH1AHOB

## Dimensioned drawings



If the appliance will be installed underneath a hob, the following worktop thicknesses (including substructure if necessary) must be taken into account.

Hob type	min. worktop thickness	
	fitted	flush
Induction hob	37 mm	38 mm
Full surface Induction hob	47 mm	48 mm
Gas hob	30 mm	38 mm
Electric hob	27 mm	30 mm

