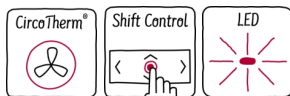


N 70, Built-in compact oven with microwave function, 60 x 45 cm, Stainless steel
C17MR02NOB



Compact built-in oven with integral microwave - even more ways to cook quickly and conveniently in a very small space

- ✓ CircoTherm® – Smart hot-air solution that lets you bake on up to four levels.
- ✓ Combined microwave and oven - the convenient solution to save space and time
- ✓ Shift Control - fast navigation through menus and simple operation with the TFT display.
- ✓ LED lights - Bright illumination exactly where you need it.

Features

Technical Data

Type of micro-wave oven : MW-Combi
 Type of control : Electronic
 Color / Material Front : Stainless steel
 Cavity dimensions : 237.0 x 480 x 392.0 mm
 Approval certificates : CE, VDE
 Length of electrical supply cord : 150 cm
 Net weight : 35.333 kg
 Gross weight : 37.6 kg
 EAN code : 4242004182177
 Maximum micro-wave power : 900 W
 Connection rating : 3600 W
 Fuse protection : 16 A
 Voltage : 220-240 V
 Frequency : 60; 50 Hz
 Plug type : no plug
 Cavity dimensions : 237.0 x 480 x 392.0 mm

Optional accessories

Z11AB15A0 Baking tray, non-stick ceramic coated
 Z11SZ00X0 SeamlessCombination mounting kit
 Z11SZ60X0 SeamlessCombination 45 + 14cm
 Z11SZ90X0 SeamlessCombination 60 + 45cm
 Z12CB10A0 Baking tray, anthracite enamelled
 Z12CM10A0 Moussaka pan, anthracite enamelled
 Z12CQ10A0 Grill tray, anthracite enamelled
 Z13CV06S0 Decor strip
 Z1913X0 Baking Stone



4 242004 182177

*N 70, Built-in compact oven with microwave
function, 60 x 45 cm, Stainless steel
C17MR02NOB*

Features
Design

- 2.5" TFT colour display
- Illuminated Shift Control
- Drop down door, SoftClose, soft opening
- Bar handle
- 3 shelf positions
- Cavity inner surface: enamel anthracite
- We recommend you to choose complementary products within N70, in order to assure an optimal design combination of your Built-In appliances.

Features

- Intelligent microwave inverter technology: For optimised results maximum output power will be regulated to 600 W when used in longer operation for gentler cooking.
- Control panel lock
Automatic safety switch off
Residual heat indicator
Start button
Door contact switch
- Temperature proposal
Actual temperature display
Heating up indicator
automatic programmes:
- Automatic programmes
- LED light, On/off button
- Cooling fan

Programmes/functions

- Compact oven with microwave with Multifunction oven with 6 cooking functions: heating methods: CircoTherm®, CircoTherm® Gentle, Circo-roasting, Full surface grill, Centre surface grill, Plate warming
- Number of automatic programmes: 14
- Additional heating methods with microwave: Microwave, Combi microwave constant
- Max. Power: 900 W; 5 Microwave power settings (90 W, 180 W, 360 W, 600 W, 900 W)
- Rapid heat

Accessories

- 1 x universal pan, 1 x combination grid

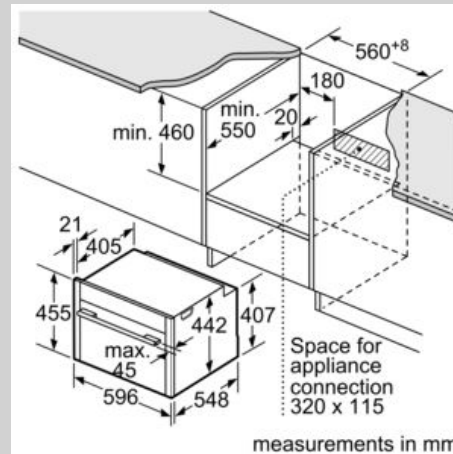
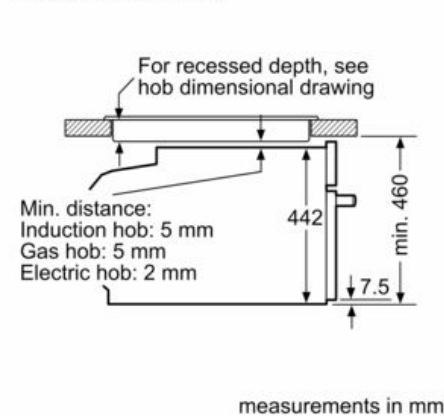
Performance/technical information

- Cavity volume: 45 litre
- Temperature range 30 °C - 275 °C
- Power cord length 150 cm Cable length
- Nominal voltage: 220 - 240 V
- Total connected load electric: 3.6 KW
- Appliance dimension (hxwxd): 455 mm x 596 mm x 548 mm
- Niche dimension (hxwxd): 450 mm - 455 mm x 560 mm - 568 mm x 550 mm
- Please refer to the dimensions provided in the installation manual

N 70, Built-in compact oven with microwave function, 60 x 45 cm, Stainless steel
C17MR02NOB

Dimensioned drawings

Installation with a hob.



If the compact appliance will be installed underneath a hob, the following worktop thicknesses (including substructure if necessary) must be taken into account.

Hob type	min. worktop thickness	
	fitted	flush
Induction hob	42 mm	43 mm
Full surface Induction hob	52 mm	53 mm
Gas hob	32 mm	43 mm
Electric hob	32 mm	35 mm

