

**Serie | 8, Built-in compact oven with  
microwave function, 60 x 45 cm,  
Stainless steel  
CMG633BS1B**

**The compact oven with microwave function:  
enables you to achieve perfect baking and  
roasting results very quickly.**

- **Microwave function:** for quick warming up or for fast cooking in combination with hotair.
- **4D hotair:** even heat distribution for perfect results.
- **AutoPilot 14:** every dish is a perfect success thanks to 14 pre-set automatic programmes.
- **TFT display control:** easy-to-use thanks to the control ring with full text and symbols.
- **LED lighting:** perfect illumination of foods with minimum energy consumption.

---

**Technical Data**

Type of micro-wave oven : MW-Combi  
Type of control : Electronic  
Color / Material Front : Stainless steel  
Cavity dimensions : 237.0 x 480 x 392.0 mm  
Approval certificates : CE, VDE  
Length of electrical supply cord : 150 cm  
Net weight : 34.627 kg  
Gross weight : 36.9 kg  
EAN code : 4242002807409  
Maximum micro-wave power : 900 W  
Connection rating : 3600 W  
Fuse protection : 16 A  
Voltage : 220-240 V  
Frequency : 60; 50 Hz  
Plug type : no plug  
Cavity dimensions : 237.0 x 480 x 392.0 mm



---

**Included accessories**

1 x combination grid  
1 x universal pan

---

**Optional accessories**

HEZ530000 : Half tray  
HEZ531010 : Baking tray, non-stick ceramic coated  
HEZ625071 : Grill tray, anthracite enamelled  
HEZ631070 : Baking tray, anthracite enamelled  
HEZ636000 : Glass pan  
HEZ660060 : Strip  
HEZ915003 : Glass roasting dish, 5,4 L



4 242002 807409

## **Serie | 8, Built-in compact oven with microwave function, 60 x 45 cm, Stainless steel CMG633BS1B**

**The compact oven with microwave function: enables you to achieve perfect baking and roasting results very quickly.**

### **Performance/technical information**

- Cavity volume: 45 litre capacity
- Power cord length 150 cm Cable length
- Total connected load electric: 3.6 KW
- Nominal voltage: 220 - 240 V
- Appliance dimension (hxwxh): 455 mm x 594 mm x 548 mm
- Niche dimension (hxwxh): 450 mm - 455 mm x 560 mm - 568 mm x 550 mm
- Please refer to the dimensions provided in the installation manual

### **Design**

- 2.5"-TFT colour and text display with direct select buttons
- Drop down door, SoftClose, SoftOpen
- Bosch control wheel
- Straight bar handle

### **Features**

- Control panel lock  
Automatic safety switch off  
Residual heat indicator  
Start button  
Door contact switch
- Digital temperature display with proposal  
Actual temperature display  
Heating-up indicator  
AutoPilot
- Intelligent microwave inverter technology: For optimised results maximum output power will be regulated to 600 W when used in longer operation for gentler cooking.
- AutoPilot, 14
- Electronic clock timer
- LED light, Light on/off when oven door opened/closed
- 3 shelf positions
- Integral cooling fan

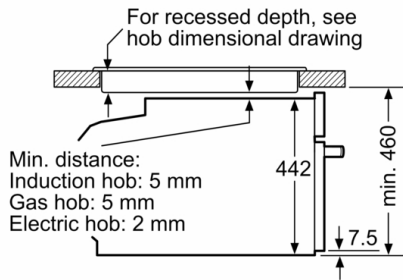
### **Cleaning**

#### **Programmes/functions**

- Compact oven with microwave with Multifunction oven with 6 cooking functions: heating methods: 4D Hotair, Hotair Gentle, Hotair grilling, full width variable grill, half width grill, plate warming
- Additional heating methods with microwave: Microwave, Combi microwave constant
- Max. Power: 900 W; 5 Microwave power settings (90 W,180 W,360 W,600 W,900 W)
- Fast pre-heating function
- 1 x universal pan, 1 x combination grid

**Serie | 8, Built-in compact oven with microwave function, 60 x 45 cm, Stainless steel  
CMG633BS1B**

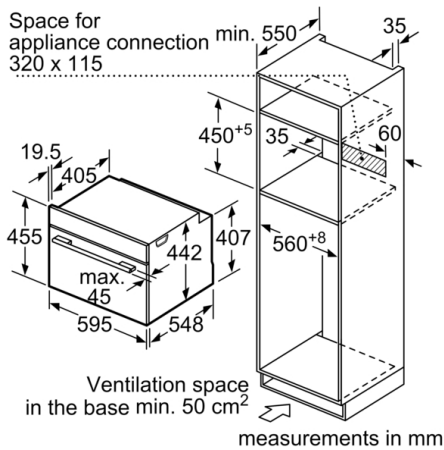
Installation with a hob.



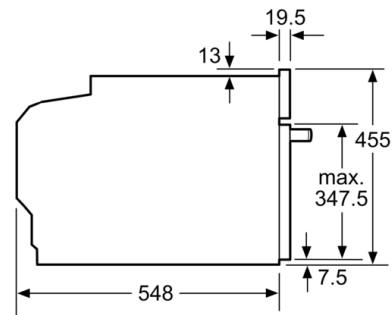
measurements in mm

If the compact appliance will be installed underneath a hob, the following worktop thicknesses (including substructure if necessary) must be taken into account.

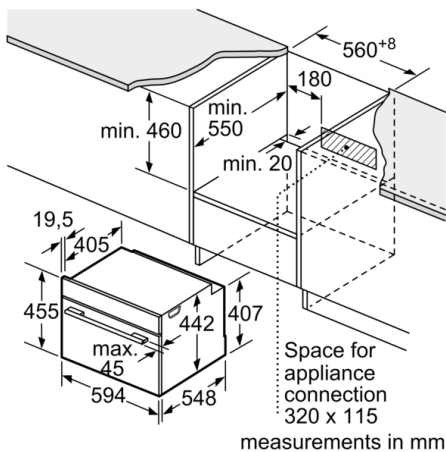
Hob type	min. worktop thickness	
	fitted	flush
Induction hob	42 mm	43 mm
Full surface Induction hob	52 mm	53 mm
Gas hob	32 mm	43 mm
Electric hob	32 mm	35 mm



measurements in mm



measurements in mm



measurements in mm