

**Serie | 6, Built-in compact microwave
with steam function, 60 x 45 cm,
Stainless steel
CPA565GS0B**



Included accessories

- 1 x insert grid
- 1 x Plug-in grid
- 1 x glass pan
- 1 x Steam container

Optional accessories

HEZ915003 : Glass roasting dish, 5,4 L

**The built-in microwave with steam function
and hotair: prepare your dishes by saving
time, steaming or re-heating.**

- **Steam function:** for gentle, healthy food preparation.
- **Microwave function:** time saving preparation, defrosting and re-heating of dishes.
- **Hotair:** perfect results on one level thanks to optimal distribution of heat.
- **AutoPilot 30:** Perfectly cooks dishes thanks to 30 pre-set automatic programmes.
- **White LCD display control:** easy-to-use thanks to direct access to additional functions, temperature recommendation and temperature indication.

Technical Data

Type of micro-wave oven : MW only

Type of control : Electronic

Color / Material Front : Stainless steel

Cavity dimensions : 236.0 x 432.0 x 350 mm

Approval certificates : CE, E17D UKCA marking, VDE

Length of electrical supply cord : 150 cm

Net weight : 34.170 kg

Gross weight : 37.9 kg

EAN code : 4242005036196

Maximum micro-wave power : 1000 W

Connection rating : 3100 W

Fuse protection : 16 A

Voltage : 220-240 V

Frequency : 50 Hz

Plug type : fixed connection

Cavity dimensions : 236.0 x 432.0 x 350 mm



4 242005 036196

Serie | 6, Built-in compact microwave with steam function, 60 x 45 cm, Stainless steel CPA565GS0B

The built-in microwave with steam function and hotair: prepare your dishes by saving time, steaming or re-heating.

Design

- LCD Display, red display, white
- Electronic clock timer, electronic timer
- stainless steel, Glass base cavity with Glass base, stainless steel
- Rotary dial, Retractable control dials, Touch controls, Start button
- Straight bar handle
- Touch key operation
- Drop down door

Features

- Control panel lock
Automatic safety switch off
Start button
Door contact switch
- Intelligent microwave inverter technology: For optimised results maximum output power will be regulated to 600 W when used in longer operation for gentler cooking.
- AutoPilot, 30
- LED light
- Integral cooling fan
- Three different steam levels available
- Location of water tank: Outside cavity
- Automatic water tank detection

Cleaning

- Catalytic back liner
- cleaning program of water pipe
- Descaling programme

Programmes/functions

- Built-in Microwave with steam function with the heating functions: Microwave, Steam cooking, Hot Air Cooking, Hotair grilling, full width variable grill
- Grill and microwave power levels 90 W, 180 W, 360 W, 600 W combinable
- Maximum microwave power level: 1000 W and the following options 1000 W, 180 W, 360 W, 600 W, 90 W
- 2 KW grill function
- All heating functions may be used separately or in combination
- 4 defrost and 26 cooking programmes
- Fast pre-heating function

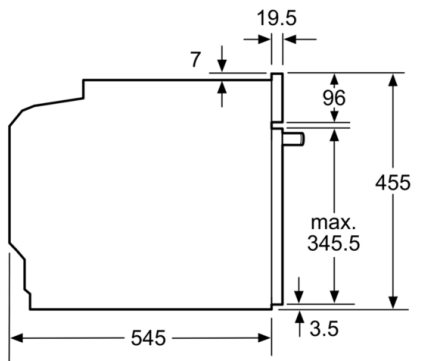
Accessories

- 1 x Steam container, 1 x insert grid, 1 x Plug-in grid, 1 x glass pan

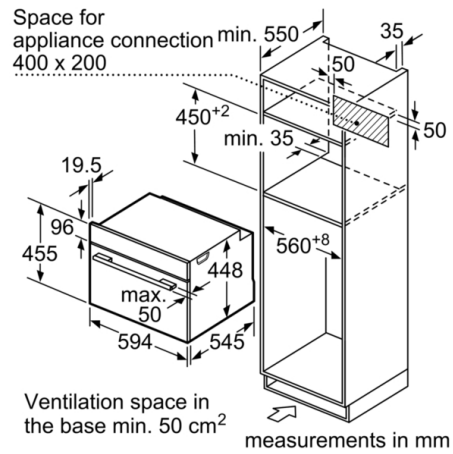
Performance/technical information

- Cavity volume: 36 l
- 0.8 l Water tank
- Temperature range 40 °C - 230 °C
- Power cord length 150 cm Cable length
- Total connected load electric: 3.1 KW
- Nominal voltage: 220 - 240 V
- Appliance dimension (hxwx): 455 mm x 594 mm x 545 mm
- Niche dimension (hxwx): 450 mm - 452 mm x 560 mm - 568 mm x 550 mm
- Please refer to the dimensions provided in the installation manual

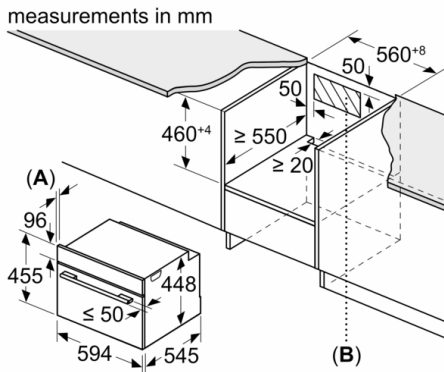
Serie | 6, Built-in compact microwave with steam function, 60 x 45 cm, Stainless steel CPA565GS0B



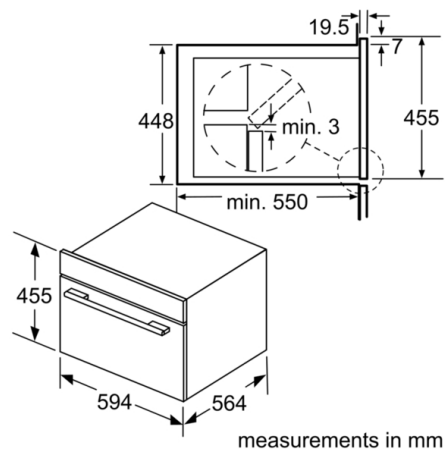
measurements in mm



measurements in mm



A: 19.5
B: Space for appliance connection 400 x 200



measurements in mm