

N 30, Telescopic cooker hood, 60 cm, Silver metallic
D46BR22N1B



COOKING PASSION SINCE 1877



B

Telescopic hood: designed to provide powerful extraction without impacting on your kitchen space or design. These hoods pull out from underneath a cabinet when required for a streamlined kitchen.

- ✓ LED Lighting – Clear illumination while you cook.
- ✓ Integrated Power Button – the telescopic hood automatically starts and stops when you slide it out and back in

Features

Technical Data

Typology : Pull-out
Approval certificates : CE, E17D UKCA marking, VDE
Length of electrical supply cord : 175 cm
Required niche size for installation (HxWxD) : 162mm x 526.0mm x 290mm mm
Minimum distance above an electric hob : 430 mm
Minimum distance above a gas hob : 650 mm
Net weight : 8.511 kg
Type of control : mechanical
Number of speed settings : 3
Maximum output air extraction : 388 m³/h
Maximum output recirculating air : 196 m³/h
Number of lights (Stck) : 2
Noise level : 67 dB(A) re 1 pW
Diameter of air outlet : 120 / 150 mm
Grease filter material : Washable aluminium
EAN code : 4242004250784
Connection rating : 108 W
Fuse protection : 10 A
Voltage : 220-240 V
Frequency : 50 Hz
Plug type : GB plug
Installation type : Built-in

Optional accessories

- Z54TC01X0 Standard odor filter (replacement)
- Z54TS01X0 Standard recirculation kit



4 242004 250784

N 30, Telescopic cooker hood, 60 cm, Silver
metallic
D46BR22N1B

Features

Features

- 3 power levels
- Automatic On/Off operation when telescopic canopy is pulled out and pushed back
- 2 x 1,5W LED
- Capacitor motor
- 2 metal grease filter cassettes

Design

- 60 cm wide
- Silver metallic grey
- Handle strip specification: stainless steel with logo
- Filter cover stainless steel, perforated and dishwasher safe

Performance

- Suitable for ducted extraction and recirculation
- For recirculated extraction recirculating kit (accessory) needed
- Energy Efficiency Class: B (at a range of energy efficiency classes from A+++ to D)
- Extraction rate according to EN 61591 max. 389 m³/h
- Noise level according to EN 60704-3 and EN 60704-2-13 at max. normal use exhaust air: 67 dB(A) re 1 pW
- Colour Temperature: 3500 K
- Light Intensity: 131 lux
- Power rating: 108 W
- Average Energy Consumption: 41.1 kWh/year*
- Blower Efficiency Class: C*
- Lighting Efficiency Class: A*
- Grease Filtering Efficiency Class: B*

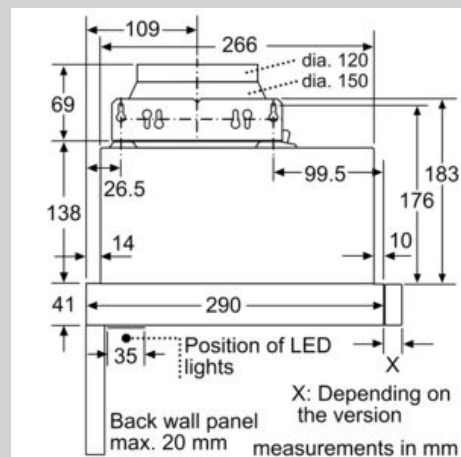
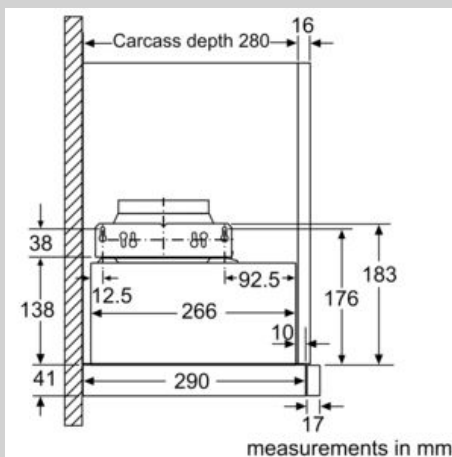
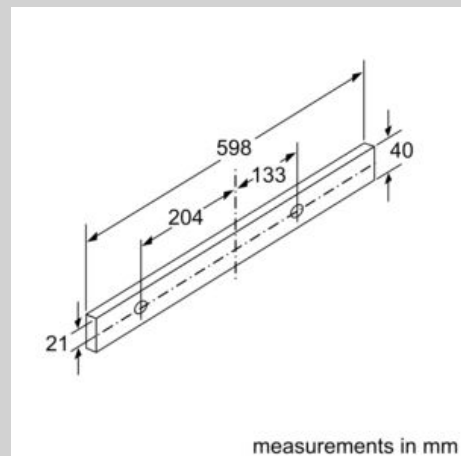
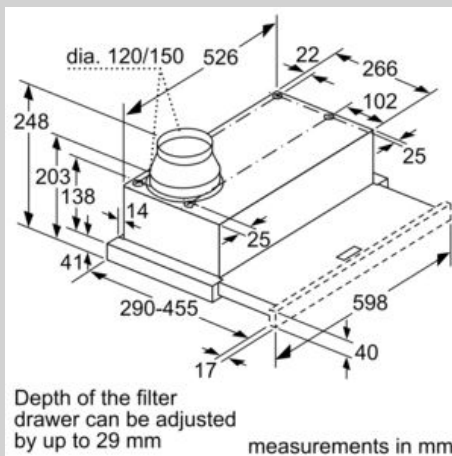
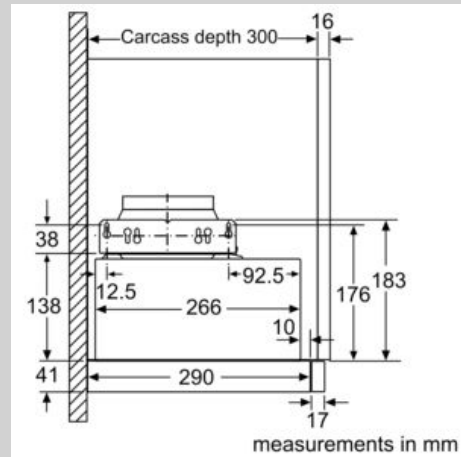
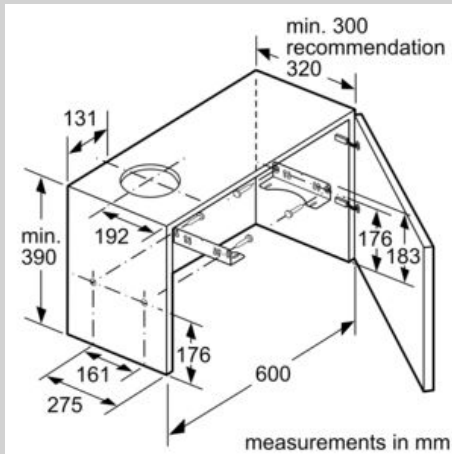
Planning and installation information

- Installation: Cupboard 60 cm
- Dimensions (HxWxD): 203 x 598 x 290 mm
- Built-in dimensions (HxWxD): 162 x 526 x 290 mm
- Diameter pipe Ø 150 mm (Ø 120 mm enclosed)
- Electrical cable length 1.75 m

* In accordance with the EU-Regulation No 65/2014

N 30, Telescopic cooker hood, 60 cm, Silver metallic
D46BR22N1B

Dimensioned drawings



N 30, Telescopic cooker hood, 60 cm, Silver
 metallic
 D46BR22N1B

Dimensioned drawings

