

N 30, Wall-mounted cooker hood, 90 cm, Stainless steel
D92PBCON0B



D

The pyramid hood is a traditionally designed hood and a trademark design of our collections.

✓ LED Lighting – Clear illumination while you cook.

Features

Technical Data

Typology : Wall-mounted
 Approval certificates : CE, E17D UKCA marking, VDE
 Length of electrical supply cord : 130 cm
 Height of the chimney : 553-730/573-730 mm
 Height of product, without chimney : 246 mm
 Minimum distance above an electric hob : 550 mm
 Minimum distance above a gas hob : 650 mm
 Net weight : 8.522 kg
 Type of control : mechanical
 Number of speed settings : 3
 Maximum output air extraction : 365 m³/h
 Maximum output recirculating air : 213 m³/h
 Number of lights (Stck) : 2
 Noise level : 65 dB(A) re 1 pW
 Diameter of air outlet : 120 / 150 mm
 Grease filter material : Washable aluminium
 EAN code : 4242004221531
 Connection rating : 100 W
 Fuse protection : 10 A
 Voltage : 220-240 V
 Frequency : 50; 60 Hz
 Plug type : GB plug
 Installation type : Wall-mounted

Optional accessories

Z5138X1	Standard odor filter (replacement)
Z5138X5	Standard recirculation kit
Z5895N0	Stainless steel back panel 900 mm
Z5904N0	Chimney extension 500 mm
Z5904N5	Chimney extension 750 mm



4 242004 221531

N 30, Wall-mounted cooker hood, 90 cm, Stainless steel
D92PBCNOB



COOKING PASSION SINCE 1877

Features

Key performance features:

- Energy Efficiency Class: D (at a range of energy efficiency classes from A+++ to D)
- Max. extraction rate: 365 m³/h
- Noise max. Normal Level: Noise, max. speed in normal us: 65 dB dB*

Features

- Push button control operation
- 3 power levels
- 2 x 1.5w LED Light
- Colour Temperature: 3500 K
- 3 metal grease filter cassettes
- Installation: wall

Design

- Chimney hood
- Mechanical controls

Performance/technical information

- Suitable for ducted extraction and recirculation
- For recirculated extraction recirculating kit (accessory) needed
- Maximum extraction rate exhaust air 365 m³/h according to EN 61591
- Extraction rate in recirculation mode:
Max. normal use: 213 m³/h
- Noise level according to EN 60704-3 and EN 60704-2-13 at max. normal use exhaust air: 65 dB(A) re 1 pW
- Noise level in recirculation mode:
Max. normal use: 67 dB(A) re 1 pW (54 dB(A) re 20 µPa sound pressure)
- Power rating: 100 W
- Light Intensity: 94 lux
- Electrical cable length 1.3 m
- Diameter pipe Ø 150 mm (Ø 120 mm enclosed)
- Dimensions exhaust air (HxWxD): 799-975 x 900 x 500 mm
- Dimensions recirculating (HxWxD): 799-975 x 900 x 500 mm
- Blower Efficiency Class: E*
- Lighting Efficiency Class: A*
- Grease Filtering Efficiency Class: D*
- Average Energy Consumption: 53.1 kWh/year*

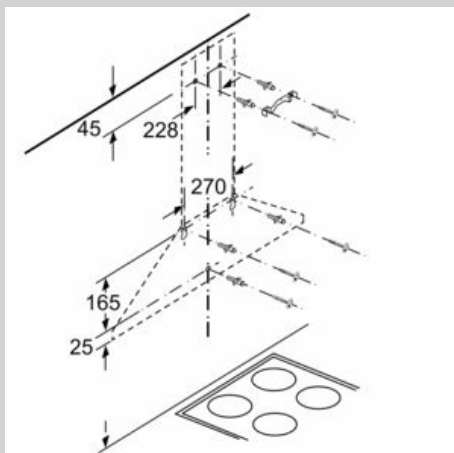
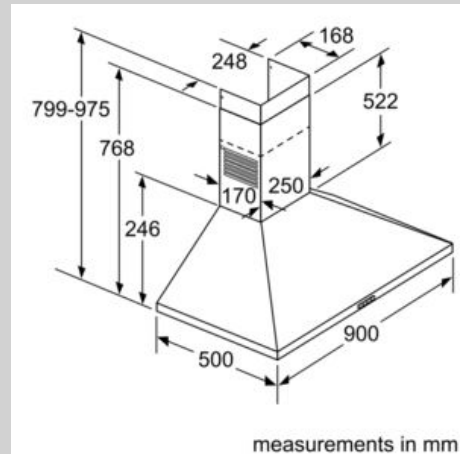
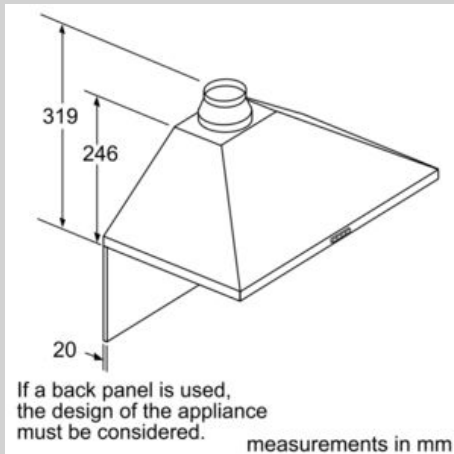
Optional accessories

- Recirculating kit Z5138X1

* In accordance with the EU-Regulation No 65/2014

N 30, Wall-mounted cooker hood, 90 cm, Stainless steel
D92PBCNOB

Dimensioned drawings



measurements in mm

