

**Serie | 2, Telescopic cooker hood, 60 cm, Silver metallic
DFM063W56B**



Telescopic cooker hoods extend when in use and slide neatly away when not in operation.

- **Silent:** maximum extractor performance with minimal noise.
- **LED illumination:** The energy-saving lighting provides bright and clear lighting for the hob area.
- An impressive extraction rate of m³/h ensures this hood will have your kitchen odour free in no time.
- Beautifully designed to provide excellent viewability when not in use

Technical Data

Typology : Pull-out

Approval certificates : CE, E17D UKCA marking, VDE

Length of electrical supply cord : 175 cm

Required niche size for installation (HxWxD) : 162mm x 526.0mm x 290mm mm

Minimum distance above an electric hob : 430 mm

Minimum distance above a gas hob : 650 mm

Net weight : 8.611 kg

Type of control : mechanical

Number of speed settings : 2

Maximum output air extraction : 328 m³/h

Maximum output recirculating air : 182 m³/h

Number of lights (Stck) : 2

Noise level : 64 dB(A) re 1 pW

Diameter of air outlet : 120 / 150 mm

Grease filter material : Washable aluminium

EAN code : 4242005231942

Connection rating : 93 W

Fuse protection : 10 A

Voltage : 220-240 V

Frequency : 50 Hz

Plug type : GB plug

Installation type : Built-in



Optional accessories

DSZ4545 : Standard recirculation kit

DSZ4551 : Standard odor filter (replacement)



**Serie | 2, Telescopic cooker hood, 60 cm,
Silver metallic
DFM063W56B**

**Telescopic cooker hoods extend when in use
and slide neatly away when not in operation.**

Features

- Rocker switch control for extractor speeds and light
- Automatic On/Off operation when telescopic canopy is pulled out and pushed back
- Capacitor motor
- 2 power levels
- 2 x 1,5W LED
- 2 removable metal grease filter cassettes

Design

- 60 cm wide
- Silver metallic lacquer
- Handle strip specification: stainless steel with logo
- Filter cover stainless steel, perforated and dishwasher safe

Performance

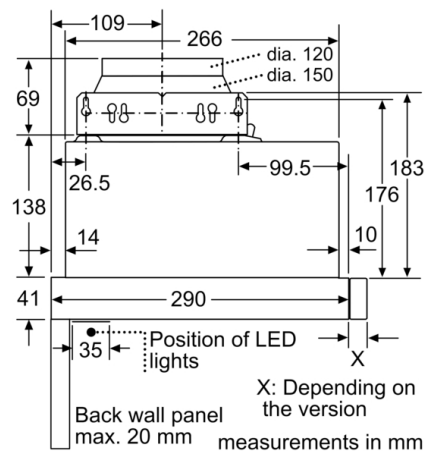
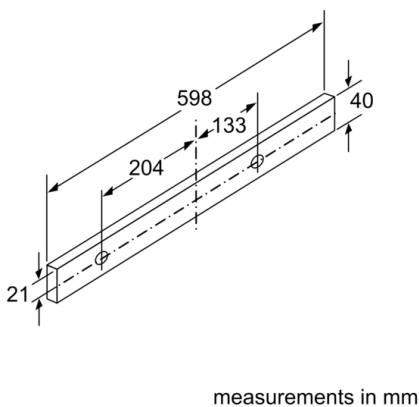
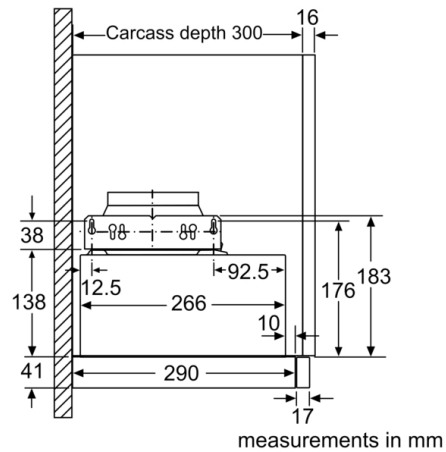
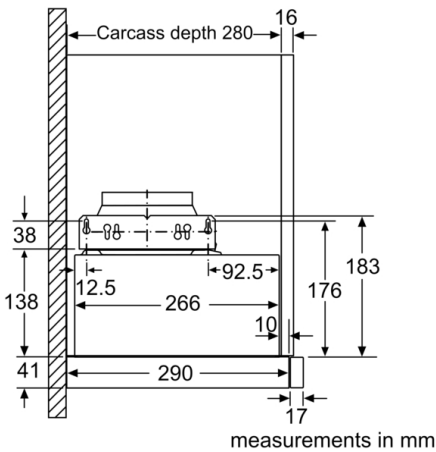
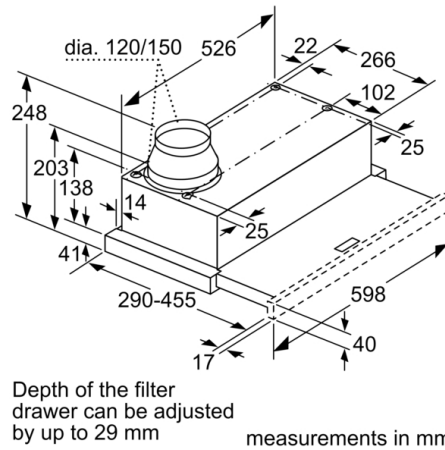
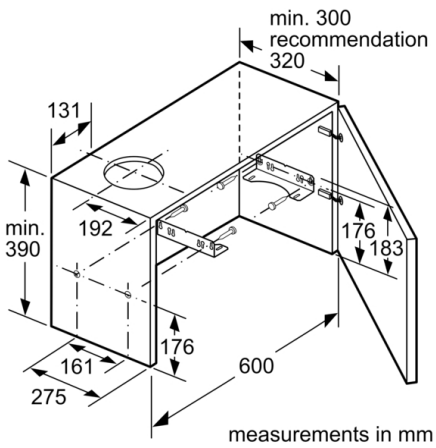
- Suitable for ducted or recirculating operation
- For recirculated extraction recirculating kit (accessory) needed
- Energy Efficiency Class: C (at a range of energy efficiency classes from A+++ to D)
- Extraction rate according to EN 61591 max. 328 m³/h
- Noise level according to EN 60704-2-13 at max.normal use exhaust air:64 dB(A)re 1 pW(A)re 1 pW
- Colour Temperature: 3500 K
- Light Intensity: 131 lux
- Power rating: 93 W
- Average Energy Consumption: 41.1 kWh/year*
- Blower Efficiency Class: D*
- Lighting Efficiency Class: A*
- Grease Filtering Efficiency Class: C*

Planning and installation information

- Dimensions (HxWxD): 203 x 598 x 290 mm
- Built-in dimensions (HxWxD): 162 x 526 x 290 mm
- Diameter pipe Ø 150 mm (Ø 120 mm enclosed)
- Electrical cable length 1.75 m

* In accordance with the EU-Regulation No 65/2014

**Serie | 2, Telescopic cooker hood, 60 cm,
Silver metallic
DFM063W56B**



**Serie | 2, Telescopic cooker hood, 60 cm,
Silver metallic
DFM063W56B**

