

**Serie | 4, Telescopic cooker hood, 60 cm, Silver metallic DFS067A51B**

A



**Telescopic cooker hoods extend when in use and slide neatly away when not in operation.**

- **Extra silent:** the high-performance hood, with minimal noise.
- **Grease filtration level:** filters out over 85% of the grease from kitchen air.
- **EcoSilence Drive™:** the powerful, energy-saving drive for hoods.
- **LED illumination:** The energy-saving lighting provides bright and clear lighting for the hob area.
- **Intensive speed setting:** removes strong kitchen odours quickly and effectively.

**Technical Data**

Typology : Pull-out  
 Approval certificates : CE, E17D UKCA marking, VDE  
 Length of electrical supply cord : 175 cm  
 Required niche size for installation (HxWxD) : 385mm x 524.0mm x 290mm mm  
 Minimum distance above an electric hob : 430 mm  
 Minimum distance above a gas hob : 650 mm  
 Net weight : 10.809 kg  
 Type of control : Electronic  
 Maximum output air extraction : 399 m<sup>3</sup>/h  
 Boost position output recirculating : 628 m<sup>3</sup>/h  
 Maximum output recirculating air : 358 m<sup>3</sup>/h  
 Boost position air extraction : 728 m<sup>3</sup>/h  
 Number of lights (Stck) : 2  
 Noise level : 53 dB(A) re 1 pW  
 Diameter of air outlet : 120 / 150 mm  
 Grease filter material : Washable stainless steel  
 EAN code : 4242005232062  
 Connection rating : 144 W  
 Fuse protection : 10 A  
 Voltage : 220-240 V  
 Frequency : 50; 60 Hz  
 Plug type : GB plug  
 Installation type : Built-in

**Optional accessories**

- DSZ4561 : Standard odor filter (replacement)
- DSZ4565 : Standard recirculation kit
- DSZ4660 : Lowering frame
- DWZ0IT0P0 : Long Life odor filter (replacement)
- DWZ1IT1D1 : Long Life recirculation kit external
- DWZ1IX1B6 : Clean Air Plus odor filter (replacement)
- DWZ1IX1C6 : Clean Air Plus recirc. kit external



## Serie | 4, Telescopic cooker hood, 60 cm, Silver metallic DFS067A51B

**Telescopic cooker hoods extend when in use  
and slide neatly away when not in operation.**

### Planning and installation information

- Installation system: Telescopic comfort installat.
  - Installation: Cupboard 60 cm
  - Dimensions (HxWxD): 426 x 598 x 290 mm
  - Built-in dimensions (HxWxD): 385 x 524 x 290 mm
  - Diameter pipe Ø 150 mm (Ø 120 mm enclosed)
  - Electrical cable length 1.75 m
- \* In accordance with the EU-Regulation No 65/2014*

### Features

- Electronic control via Soft touch button control
- 3 power levels & intensive setting
- 2 x 1,5W LED
- Efficient BLDC technology
- Automatic intensive revert (6mins)
- Automatic after running (Automatic after running (10 min))
- 2 removable metal grease filter cassettes

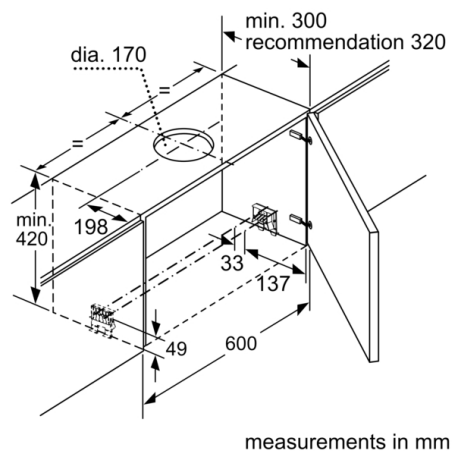
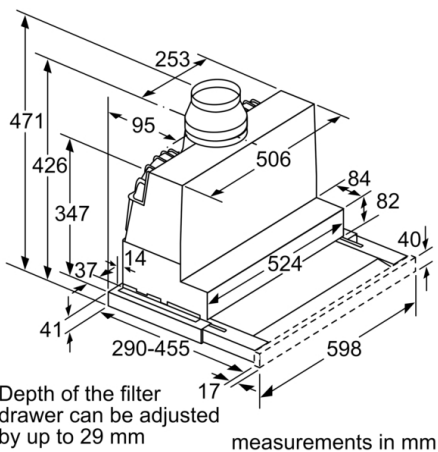
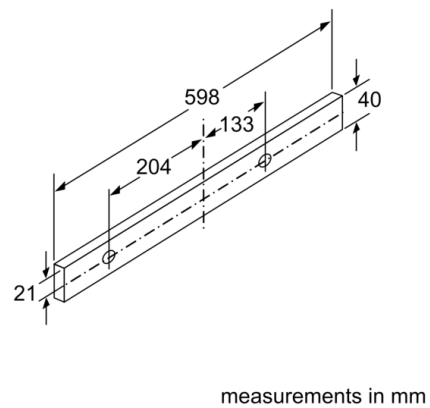
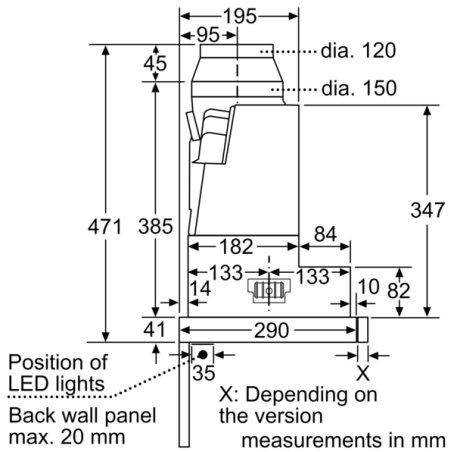
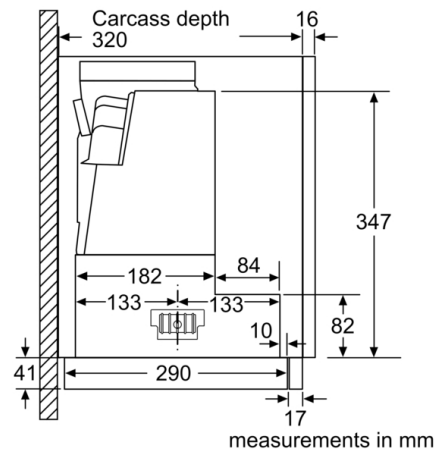
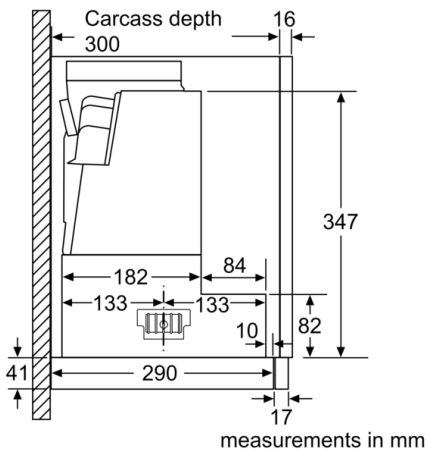
### Design

- 60 cm wide
- Silver metallic lacquer
- Handle strip specification: stainless steel with logo
- Steel filter cover

### Performance

- Suitable for ducted or recirculating operation
- For recirculated extraction recirculating kit or CleanAir recirculating kit (accessory) needed
- Energy Efficiency Class: A (at a range of energy efficiency classes from A+++ to D)
- Extraction rate according to EN 61591 max. 728 m<sup>3</sup>/h
- Extraction rate according to EN 61591 ø 15 cm:  
max. Normal use 399 m<sup>3</sup>/h  
Intensive 728 m<sup>3</sup>/h
- Noise level according to EN 60704-3 and EN 60704-2-13 at  
max. normal use exhaust air: 53 dB(A) re 1 pW
- Extraction rate exhaust air according to EN 61591:  
max. normal use 399 m<sup>3</sup>/h, intensive 728 m<sup>3</sup>/h
- With the Clean Air Plus recirculation kit (available as optional  
accessory) your appliances reaches:  
Extraction rate in recirculation mode:  
Max. normal use: 358 m<sup>3</sup>/h  
Intensive: 628 m<sup>3</sup>/h  
Noise level in recirculation mode:  
Max. normal use: 60 dB(A) re 1 pW  
Intensive: 71 dB(A) re 1 pW
- 2 single inlet vertical, Efficient BLDC technology
- Colour Temperature: 3500 K
- Light Intensity: 294 lux
- Power rating: 144 W
- Average Energy Consumption: 37.9 kWh/year\*
- Blower Efficiency Class: B\*
- Lighting Efficiency Class: A\*
- Grease Filtering Efficiency Class: B\*

**Serie | 4, Telescopic cooker hood, 60 cm,  
Silver metallic  
DFS067A51B**



**Serie | 4, Telescopic cooker hood, 60 cm,  
Silver metallic  
DFS067A51B**

