

**Serie | 6, Canopy cooker hood, 52 cm,
Stainless steel
DHL575CGB**



Canopy cooker hoods are designed to be fully integrated for more flexibility when planning your kitchen.

- **LED Illumination:** The energy-saving lighting provides bright and clear lighting for the hob area.
- **Intensive speed setting:** removes strong kitchen odours quickly and effectively.
- An impressive extraction rate of m³/h ensures this hood will have your kitchen odour free in no time.
- **Intensive speed setting with reset:** automatically resets the hood to normal speed setting
- Dishwasher safe aluminum mesh filters

Technical Data

Typology : Built-in/Built-under
 Approval certificates : CE, VDE
 Length of electrical supply cord : 150 cm
 Required niche size for installation (HxWxD) : 418mm x 496.0mm x 264mm mm
 Minimum distance above an electric hob : 500 mm
 Minimum distance above a gas hob : 650 mm
 Net weight : 7.310 kg
 Type of control : Electronic
 Maximum output air extraction : 560 m³/h
 Boost position output recirculating : 581 m³/h
 Maximum output recirculating air : 533 m³/h
 Boost position air extraction : 615 m³/h
 Number of lights (Stck) : 2
 Noise level : 67 dB(A) re 1 pW
 Diameter of air outlet : 120 / 150 mm
 Grease filter material : Washable aluminium
 EAN code : 4242002831169
 Connection rating : 252 W
 Fuse protection : 3 A
 Voltage : 220-240 V
 Frequency : 50 Hz
 Plug type : GB plug
 Installation type : Built-in

Optional accessories

DHZ5316 : Standard odor filter (replacement)
 DHZ5605 : Standard recirculation kit
 DWZ0IT0P0 : Long Life odor filter (replacement)
 DWZ1IT1D1 : Long Life recirculation kit external
 DWZ1IX1B6 : Clean Air Plus odor filter (replacement)
 DWZ1IX1C6 : Clean Air Plus recirc. kit external



Serie | 6, Canopy cooker hood, 52 cm, Stainless steel DHL575CGB

Canopy cooker hoods are designed to be fully integrated for more flexibility when planning your kitchen.

Key Information

- Electronic control via Soft touch button control

Design

- Installation: Cabinet
- 52 cm wide
- Brushed steel

Features

- Soft touch button control with Electronic display
- 3 power levels & intensive setting
- Automatic intensive revert (6mins)
- Rim ventilation
- 2 x 1W LED
- 1 removable metal grease filter cassette
- Filter cover stainless steel, Removable metal grease filters

Performance/technical information

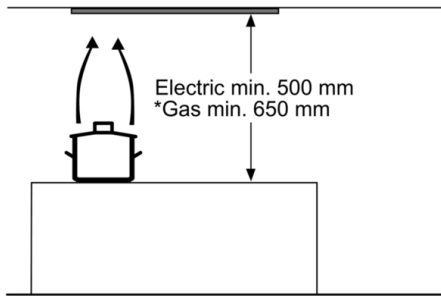
- Suitable for ducted or recirculating operation
- Extraction rate exhaust air according to EN 61591:
max. normal use 560 m³/h, intensive 615 m³/h
- Power rating: 252 W
- Noise level according to EN 60704-3 and EN 60704-2-13 exhaust air:
Max. normal use: 67 dB(A) re 1 pW
Intensive: 70 dB(A) re 1 pW
- Noise max. Normal Level: Noise, max. speed in normal us: 67 dB dB*
- With the Clean Air Plus recirculation kit (available as optional accessory) your appliances reaches:
Extraction rate in recirculation mode:
Max. normal use: 533 m³/h
Intensive: 581 m³/h
Noise level in recirculation mode:
Max. normal use: 72 dB(A) re 1 pW
Intensive: 74 dB(A) re 1 pW
- Average Energy Consumption: 90.2 kWh/year*
- Energy Efficiency Class: C (at a range of energy efficiency classes from A+++ to D)
- Blower Efficiency Class: C*
- Lighting Efficiency Class: A*
- Grease Filtering Efficiency Class: D*
- Dimensions exhaust air (HxWxD): 418-418 x 520 x 300 mm
- Dimensions recirculating (HxWxD): 418-418 x 520 x 300 mm
- Diameter pipe Ø 150 mm (Ø 120 mm enclosed)
- Light Intensity: 244 lux
- Colour Temperature: 4000 K

Accessories

- For recirculated extraction recirculating kit or CleanAir recirculating kit (accessory) needed

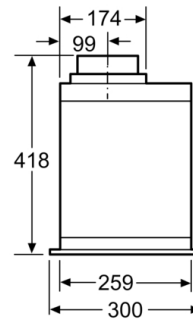
* In accordance with the EU-Regulation No 65/2014

**Serie | 6, Canopy cooker hood, 52 cm,
Stainless steel
DHL575CGB**

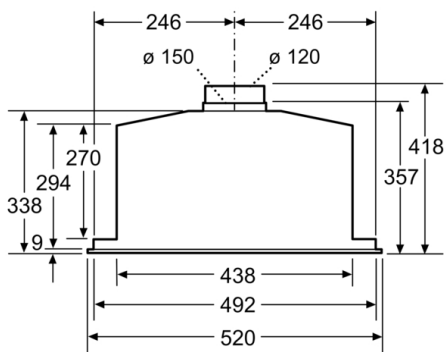


* from upper edge of pan support

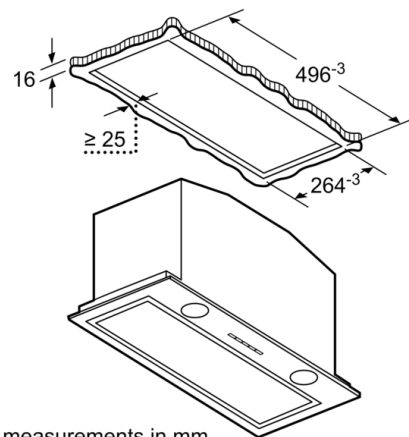
measurements in mm



measurements in mm



measurements in mm



measurements in mm