

**Serie | 2, Canopy cooker hood, 53 cm,
anthracite
DLN53AA70B**



Optional accessories

DWZ0IN0A0 : Standard odor filter (replacement)
DWZ0IN0T0 : Standard recirculation kit

Canopy cooker hoods are designed to be fully integrated for more flexibility when planning your kitchen.



- **Silent:** maximum extractor performance with minimal noise.
- **LED illumination:** The energy-saving lighting provides bright and clear lighting for the hob area.
- An impressive extraction rate of m³/h ensures this hood will have your kitchen odour free in no time.
- 3-speed power Level options to suit your cooking style and recipes.

Technical Data

Typology : Built-in/Built-under
Approval certificates : CE
Length of electrical supply cord : 150 cm
Required niche size for installation (HxWxD) : 208mm x 493.0mm x 257mm mm
Minimum distance above an electric hob : 550 mm
Minimum distance above a gas hob : 650 mm
Net weight : 3.770 kg
Type of control : mechanical
Number of speed settings : 3
Maximum output air extraction : 302 m³/h
Maximum output recirculating air : 300 m³/h
Number of lights (Stck) : 2
Noise level : 62 dB(A) re 1 pW
Diameter of air outlet : 120 mm
Grease filter material : Washable aluminium
EAN code : 4242005095391
Connection rating : 121 W
Fuse protection : 5 A
Voltage : 220-240 V
Frequency : 50 Hz
Plug type : GB plug
Installation type : Built-in



4 242005 095391

Serie | 2, Canopy cooker hood, 53 cm, anthracite DLN53AA70B

Optional accessories

- Recirculating kit DWZ0IN0A0

** In accordance with the EU-Regulation No 65/2014*

Canopy cooker hoods are designed to be fully integrated for more flexibility when planning your kitchen.

Key performance features:

- Energy Efficiency Class: D (at a range of energy efficiency classes from A+++ to D)
- Max. extraction rate: 302 m³/h
- Noise max. Normal Level: Noise, max. speed in normal us: 62 dB dB*

Features

- Slider switch control for extractor speeds and light
- 3 power levels
- Single motor
- 2 x 3W LED
- Colour Temperature: 2700 K
- 1 removable metal grease filter cassette
- Installation: integrated

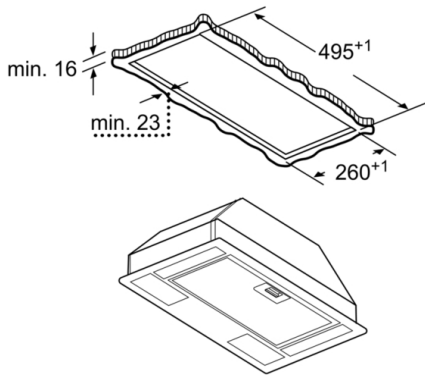
Design

- Canopy hood
- Slider switch control
- Mechanical

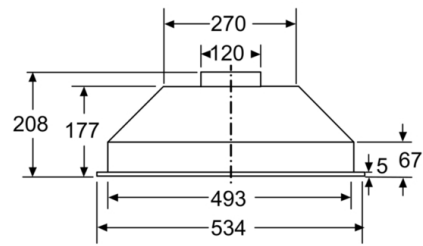
Performance/technical information

- Suitable for ducted or recirculating operation
- For recirculated extraction recirculating kit (accessory) needed
- Extraction rate according to EN 61591: max. 302 m³/h
- Noise level according to EN 60704-3 and EN 60704-2-13 at maximum normal setting: extraction rate: 62 dB(A) re 1 pW (48 dB(A) re 20 µPa sound pressure)
- Power rating: 121 W
- Light Intensity: 78 lux
- Electrical cable length 1.5 m
- Diameter pipe Ø 120 mm (Ø 120 mm enclosed)
- Dimensions exhaust air (HxWxD): 208-208 x 534 x 300 mm
- Dimensions recirculating (HxWxD): 208-208 x 534 x 300 mm
- Built-in dimensions (HxWxD): 208 x 493 x 257 mm
- Blower Efficiency Class: E*
- Lighting Efficiency Class: D*
- Grease Filtering Efficiency Class: D*
- Average Energy Consumption: 67.7 kWh/year*

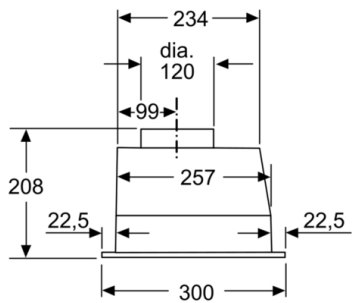
**Serie | 2, Canopy cooker hood, 53 cm,
anthracite
DLN53AA70B**



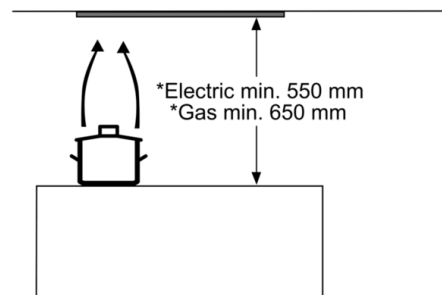
measurements in mm



measurements in mm



measurements in mm



* from upper edge of
pan support

measurements in mm