

**Serie | 6, Ceiling cooker hood, 90 cm,
Stainless steel
DRC97AQ50B**

A



The integrated ceiling hood: the powerful and effective solution for larger and open plan kitchens, perfectly installed directly into the ceiling.

- **Especially silent:** maximum hood performance, minimum noise.
- **Easy-to-clean interior:** hidden screws and cables along with rounded edges make cleaning easy.
- Manage your appliances with your voice, thanks to the Amazon Alexa voice control.*
- **Cooktop-based hood control:** use the hob to control your hood.
- **Home Connect:** hoods with smart connectivity make life easier.

Technical Data

Typology : Island/Ceiling
Approval certificates : CE, E17D UKCA marking, VDE
Length of electrical supply cord : 130 cm
Required niche size for installation (HxWxD) : 299mm x 888.0mm x 487mm mm
Minimum distance above an electric hob : 650 mm
Minimum distance above a gas hob : 650 mm
Net weight : 24.304 kg
Type of control : Electronic
Number of speed settings : 3-stage + 2 intensive
Maximum output air extraction : 459 m³/h
Boost position output recirculating : 565.0 m³/h
Maximum output recirculating air : 422 m³/h
Boost position air extraction : 798 m³/h
Number of lights (Stck) : 4
Noise level : 56 dB(A) re 1 pW
Diameter of air outlet : 150 mm
Grease filter material : Washable stainless steel
EAN code : 4242005103997
Connection rating : 174 W
Voltage : 220-240 V
Frequency : 50; 60 Hz
Plug type : GB plug
Installation type : Island

Optional accessories

DIZ0JC2D0 : Long Life recirc. kit external white
DIZ0JC5D0 : Long Life recirc. kit external inox
DIZ1JC2C6 : Clean Air Plus recirc.kit external white
DIZ1JC5C6 : Clean Air Plus recirc. kit external inox
DZZ1XX1B6 : Clean Air Plus odor filter (replacement)



4 242005 103997

Serie | 6, Ceiling cooker hood, 90 cm, Stainless steel DRC97AQ50B

The integrated ceiling hood: the powerful and effective solution for larger and open plan kitchens, perfectly installed directly into the ceiling.

Key performance features:

- Energy Efficiency Class: A (at a range of energy efficiency classes from A+++ to D)
- Extraction rate according to EN 61591 ø 15 cm:
max. Normal use 458 m³/h
Intensive 798 m³/h
- Noise max. Normal Level: Noise, max. speed in normal us: 56 dB dB*

Home Connect: Remote Monitoring and Control

- Home Connect: Remote Monitoring and Control for connected home appliances and operation via smartphone or tablet (only in countries where Home Connect service is available)
- The Home Connect functionality can be extended by integrating numerous applications from external cooperation partners (partnerships)
- Voice Control enabled via popular voice assistants (only in countries where this service is available)
- Interval function: available via Home Connect
- Silence function: available via Home Connect

Special features

- Hob based hood control
- Electronic display
- Infrared remote control
- 3 power levels and 2 intensive settings
- 4 x 3W LED lights
- Colour Temperature: 3500 K
- Dimmer function
- Interval operation
- Automatic intensive revert (6mins)
- Automatic after running (Automatic after running (10 min))
- 2 removable metal grease filter cassettes
- Saturation indicator for metal and charcoal filter
- easy to clean Inner frame
- Rim ventilation

Design

- Installation: Ceiling
- Electronic control
- Efficient BLDC technology
- Rotatable motor: possible to position the air outlet on all four sides

Performance/technical information

- Suitable for ducted or recirculating operation
- For recirculated extraction CleanAir recirculating kit (accessory) needed
- Extraction rate according to EN 61591 max. 798 m³/h
- Noise level according to EN 60704-3 and EN 60704-2-13 at max. normal use exhaust air: 56 dB(A) re 1 pW
- Noise level according to EN 60704-3 and EN 60704-2-13 exhaust air:
Max. normal use: 56 dB(A) re 1 pW
Intensive: 68 dB(A) re 1 pW
- Noise level according to EN 60704-3 and EN 60704-2-13 at maximum normal setting: extraction rate: 56 dB (A) re 1pW
- With the Clean Air Plus recirculation kit (available as optional accessory) your appliances reaches:
Extraction rate in recirculation mode:
Max. normal use: 422 m³/h
Intensive: 565 m³/h
Noise level in recirculation mode with Clean Air Plus odor filter :
Max. normal use: 63 dB(A) re 1 pW
Intensive: 69 dB(A) re 1 pW
- Power rating: 174 W
- Light Intensity: 659 lux
- Electrical cable length 1.3 m
- Diameter pipe ø 150 mm (ø 150 mm enclosed)
- Dimensions exhaust air (HxWxD): 300-300 x 900 x 500 mm
- Dimensions recirculating (HxWxD): 300-300 x 900 x 500 mm
- Blower Efficiency Class: A*
- Lighting Efficiency Class: A*
- Grease Filtering Efficiency Class: E*
- Average Energy Consumption: 34 kWh/year*

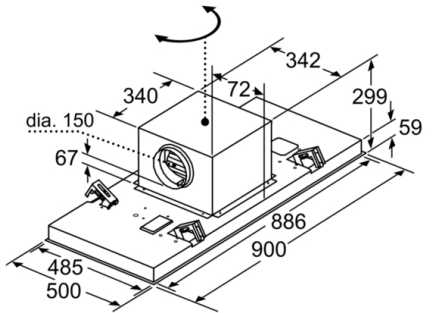
Optional accessories

- Recirculating kit DIZ1JC2C6

* In accordance with the EU-Regulation No 65/2014

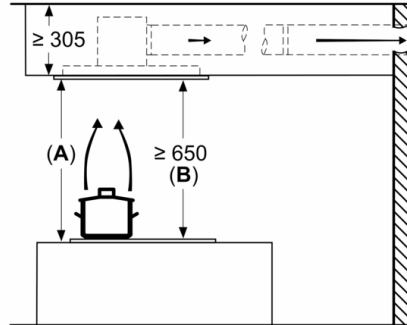
**Serie | 6, Ceiling cooker hood, 90 cm,
Stainless steel
DRC97AQ50B**

The fan outlet can be turned
in all four directions



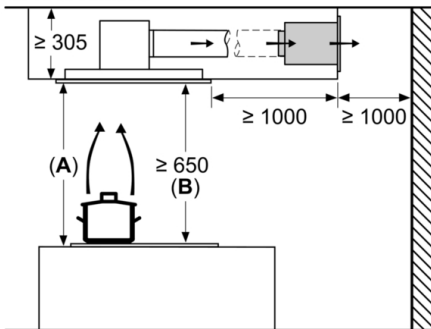
measurements in mm

measurements in mm
Air extraction

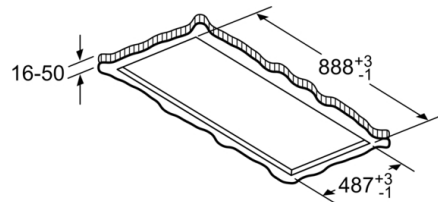


A: Optimum performance 700-1500
B: From upper edge of pan support

measurements in mm
Air recirculation



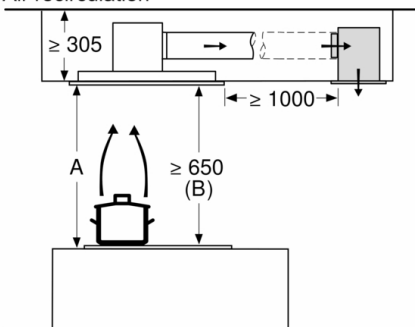
A: Optimum performance 700-1500
B: From upper edge of pan support



Never fit directly onto plasterboard or similar
lightweight construction materials of the
suspended ceiling. A suitable substructure
is required that is securely fixed to the
concrete ceiling.

measurements in mm

measurements in mm
Air recirculation



A: Optimum performance 700-1500
B: From upper edge of pan support