

**Serie | 2, Wall-mounted cooker hood,  
60 cm, clear glass  
DWG64BC50B**



**Optional accessories**

DHZ1225 : Chimney extension 1000 mm  
 DHZ1235 : Chimney extension 1500 mm  
 DHZ6551 : Brushed steel back panel  
 DWZ0DX0AO : Standard odor filter (replacement)  
 DWZ0DX0U0 : Standard recirculation kit  
 DWZ0XX0J0 : Long Life recirculation kit  
 DWZ1DX1I6 : Clean Air Plus recirculation kit  
 DWZ1FX5C6 : Clean Air Plus recirc. kit external  
 DZZ1XX1B6 : Clean Air Plus odor filter (replacement)

**D**

**Hood with glass design: performance  
combined with straight glass design  
matching your kitchen.**

- **Silent:** maximum extractor performance with minimal noise.
- **Grease filtration level:** filters out over 85% of the grease from kitchen air.
- **LED illumination:** The energy-saving lighting provides bright and clear lighting for the hob area.
- An impressive extraction rate of m<sup>3</sup>/h ensures this hood will have your kitchen odour free in no time.
- 3-speed power Level options to suit your cooking style and recipes.

**Technical Data**

Typology : Wall-mounted  
 Approval certificates : CE, E17D UKCA marking, VDE  
 Length of electrical supply cord : 130 cm  
 Height of the chimney : 576-906/576-998 mm  
 Height of product, without chimney : 59 mm  
 Minimum distance above an electric hob : 550 mm  
 Minimum distance above a gas hob : 650 mm  
 Net weight : 12.311 kg  
 Type of control : mechanical  
 Number of speed settings : 3  
 Maximum output air extraction : 365 m<sup>3</sup>/h  
 Maximum output recirculating air : 240 m<sup>3</sup>/h  
 Number of lights (Stck) : 2  
 Noise level : 64 dB(A) re 1 pW  
 Diameter of air outlet : 120 / 150 mm  
 Grease filter material : Washable aluminium  
 EAN code : 4242005051151  
 Connection rating : 100 W  
 Fuse protection : 10 A  
 Voltage : 220-240 V  
 Frequency : 50; 60 Hz  
 Plug type : GB plug  
 Installation type : Wall-mounted



4 242005 051151

**Serie | 2, Wall-mounted cooker hood, 60 cm, clear glass DWG64BC50B** *\* In accordance with the EU-Regulation No 65/2014*

**Hood with glass design: performance combined with straight glass design matching your kitchen.**

**Key performance features:**

- Energy Efficiency Class: D (at a range of energy efficiency classes from A+++ to D)
- Max. extraction rate: 365 m<sup>3</sup>/h
- Noise max. Normal Level: Noise, max. speed in normal us: 64 dB dB\*

**Features**

- Push button control
- 3 power levels
- 2 x 1.5W LED light
- Colour Temperature: 3500 K
- 1 removable metal grease filter cassette
- Installation: wall

**Design**

- Chimney extractor hood
- Mechanical

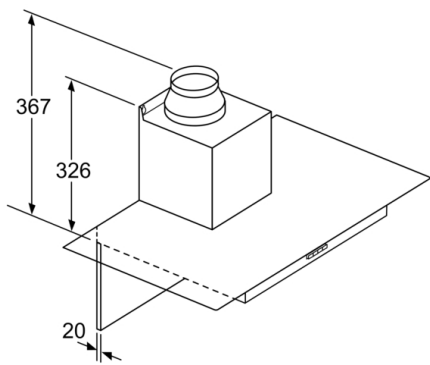
**Performance/technical information**

- Suitable for ducted or recirculating operation
- For recirculated extraction recirculating kit or CleanAir recirculating kit (accessory) needed
- Maximum extraction rate exhaust air 365 m<sup>3</sup>/h according to EN 61591
- Noise level according to EN 60704-3 and EN 60704-2-13 at max. normal use exhaust air: 64 dB(A) re 1 pW
- Power rating: 100 W
- Light Intensity: 110 lux
- Electrical cable length 1.3 m
- Diameter pipe Ø 150 mm (Ø 120 mm enclosed)
- Dimensions exhaust air (HxWxD): 635-965 x 600 x 525 mm
- Dimensions recirculating (HxWxD): 635-1075 x 600 x 525 mm
- Dimensions recirculating with CleanAir module (HxWxD):  
703 x 600 x 525 mm - mounting with outer chimney  
833-1163 x 600 x 525 mm - mounting with telescopic chimney
- Blower Efficiency Class: E\*
- Lighting Efficiency Class: A\*
- Grease Filtering Efficiency Class: B\*
- Average Energy Consumption: 53.1 kWh/year\*

**Optional accessories**

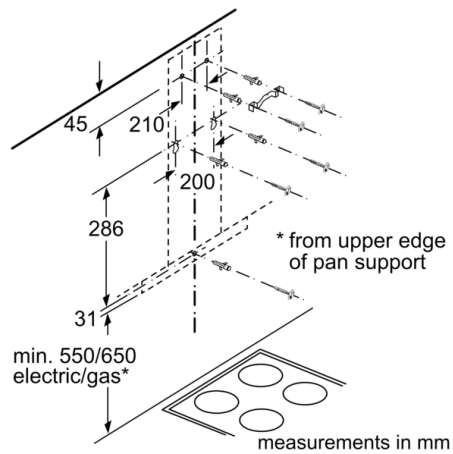
- Recirculating kit DHZ1225

**Serie | 2, Wall-mounted cooker hood, 60 cm,  
clear glass  
DWG64BC50B**

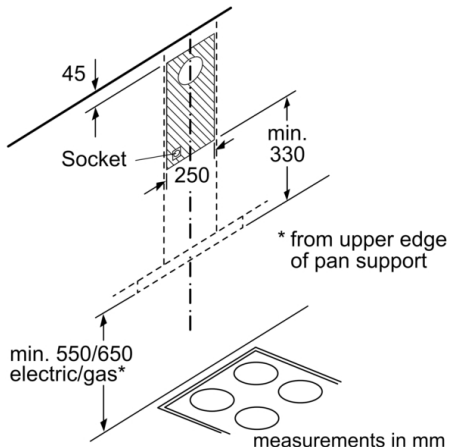


If a back panel is used,  
the design of the appliance  
must be considered.

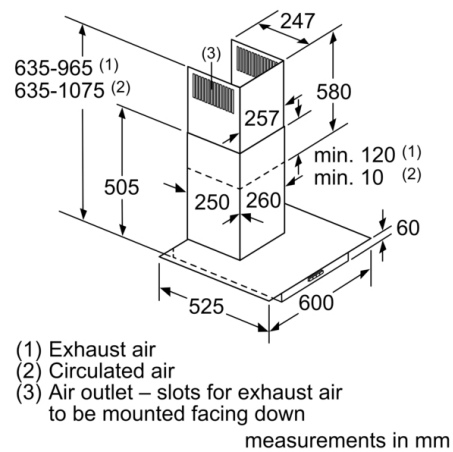
measurements in mm



measurements in mm



measurements in mm



measurements in mm

- (1) Exhaust air
- (2) Circulated air
- (3) Air outlet – slots for exhaust air to be mounted facing down