

**Serie | 4, Wall-mounted cooker hood,
60 cm, Stainless steel
DWQ66DM50B**



A

**Slim Pyramid hood: performance and
matching design in your kitchen.**

- **Silent:** maximum extractor performance with minimal noise.
- **Grease filtration level:** filters out over 85% of the grease from kitchen air.
- **TouchSelect control:** Quickly select hood settings via touch.
- **LED Illumination:** The energy-saving lighting provides bright and clear lighting for the hob area.
- **Intensive speed setting:** removes strong kitchen odours quickly and effectively.

Technical Data

Typology : Wall-mounted
Approval certificates : CE, E17D UKCA marking, VDE
Length of electrical supply cord : 130 cm
Height of the chimney : 582-912/582-1022 mm
Height of product, without chimney : 94 mm
Minimum distance above an electric hob : 550 mm
Minimum distance above a gas hob : 650 mm
Net weight : 10.524 kg
Type of control : Electronic
Maximum output air extraction : 411 m³/h
Boost position output recirculating : 441 m³/h
Maximum output recirculating air : 337 m³/h
Boost position air extraction : 644 m³/h
Number of lights (Stck) : 2
Noise level : 62 dB(A) re 1 pW
Diameter of air outlet : 120 / 150 mm
Grease filter material : Washable aluminium
EAN code : 4242005051212
Connection rating : 220 W
Fuse protection : 10 A
Voltage : 220-240 V
Frequency : 50; 60 Hz
Plug type : GB plug
Installation type : Wall-mounted

Optional accessories

DHZ1225 : Chimney extension 1000 mm
DHZ1235 : Chimney extension 1500 mm
DHZ6551 : Brushed steel back panel
DWZ0DX0AO : Standard odor filter (replacement)
DWZ0DX0U0 : Standard recirculation kit
DWZ0XX0J0 : Long Life recirculation kit
DWZ1DX1I6 : Clean Air Plus recirculation kit
DWZ1FX5C6 : Clean Air Plus recirc. kit external
DZZ1XX1B6 : Clean Air Plus odor filter (replacement)



4 242005 051212

Serie | 4, Wall-mounted cooker hood, 60 cm, Stainless steel DWQ66DM50B

Slim Pyramid hood: performance and matching design in your kitchen.

Key performance features:

- Energy Efficiency Class: A (at a range of energy efficiency classes from A+++ to D)
- Extraction rate according to EN 61591 ø 15 cm:
max. Normal use 410 m³/h
Intensive 644 m³/h
- Noise max. Normal Level: Noise, max. speed in normal us: 62 dB dB*

Features

- TouchControl with Electronic display
- Electronic display
- 3 power levels & intensive setting
- 2 x 1.5W LED light
- Colour Temperature: 3500 K
- Automatic intensive revert (6mins)
- 2 removable metal grease filter cassettes
- Installation: wall

Design

- Chimney extractor hood
- TouchControl
- Electronic control

Performance/technical information

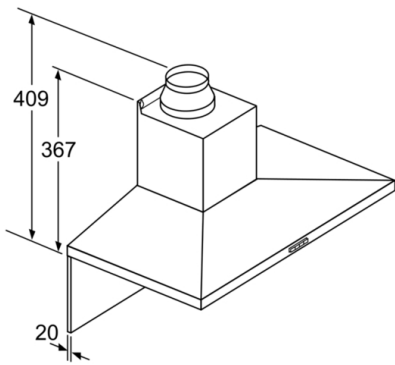
- Suitable for ducted or recirculating operation
- For recirculated extraction recirculating kit or CleanAir recirculating kit (accessory) needed
- Max. extraction rate: 644 m³/h
- Noise level according to EN 60704-3 and EN 60704-2-13 exhaust air:
Max. normal use: 62 dB(A) re 1 pW
Intensive: 70 dB(A) re 1 pW
- Power rating: 220 W
- Light Intensity: 242 lux
- Electrical cable length 1.3 m
- Diameter pipe ø 150 mm (ø 120 mm enclosed)
- Dimensions exhaust air (HxWxD): 676-1006 x 600 x 500 mm
- Dimensions recirculating (HxWxD): 676-1116 x 600 x 500 mm
- Dimensions recirculating with CleanAir module (HxWxD):
744 x 600 x 500 mm - mounting with outer chimney
874-1204 x 600 x 500 mm - mounting with telescopic chimney
- Blower Efficiency Class: A*
- Lighting Efficiency Class: A*
- Grease Filtering Efficiency Class: B*
- Average Energy Consumption: 41.7 kWh/year*

Optional accessories

- Recirculating kit DHZ1225

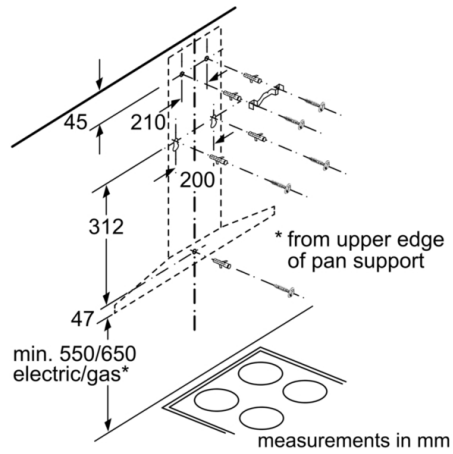
* In accordance with the EU-Regulation No 65/2014

**Serie | 4, Wall-mounted cooker hood, 60 cm,
Stainless steel
DWQ66DM50B**

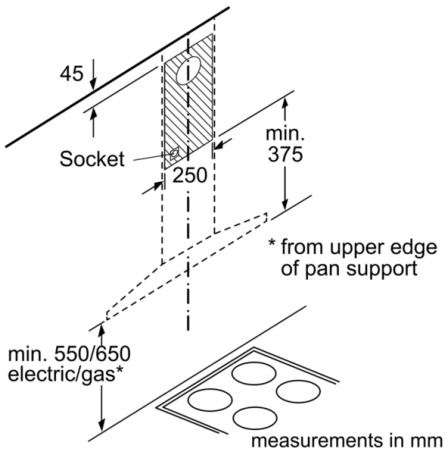


If a back panel is used,
the design of the appliance
must be considered.

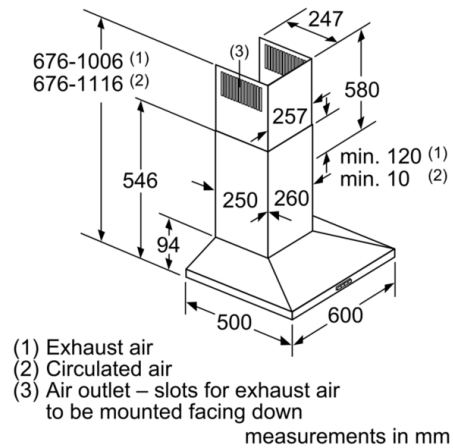
measurements in mm



measurements in mm



measurements in mm



measurements in mm

- (1) Exhaust air
- (2) Circulated air
- (3) Air outlet – slots for exhaust air to be mounted facing down