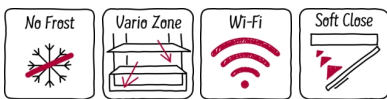


N 90, Built-in freezer, 177.2 x 55.8 cm, soft close flat hinge  
G17815CE0G



COOKING PASSION SINCE 1877



This NoFrost built-in freezer needs no defrosting and features a malfunction warning signal in case of increasing temperature.

- ✓ No Frost – No more defrosting your freezer.
- ✓ Individualize your drawers with various loading options to create the optimal fit for frozen goodies
- ✓ Home Connect – Add your smart fridge to your home network and stay connected to your kitchen.
- ✓ Softclose: When it reaches an angle of 20° the door softly closes itself.

#### Features

##### Technical Data

Energy Efficiency Class : E  
 Average annual energy consumption in kilowatt hour per year (kWh/a) : 235 kWh/annum  
 Sum of volume of frozen compartments : 212 l  
 Airborne acoustical noise emissions : 35 dB(A) re 1 pW  
 Airborne acoustical noise emission class : B  
 Thermometer freeze section : Digital  
 Light : No  
 Product category : Upright freezer  
 Construction type : Built-in  
 Door panel options : Not possible  
 Frost free system : Fridge and freezer  
 Height of the product : 1772 mm  
 Width of the appliance : 558 mm  
 Depth of the product : 545 mm  
 Dimensions of the packed product (HxWxD) : 1840 x 640 x 610 mm  
 Net weight : 66.706 kg  
 Gross weight : 71.9 kg  
 Connection rating : 120 W  
 Fuse protection : 13 A  
 Frequency : 50 Hz  
 Approval certificates : CE, VDE  
 Length of electrical supply cord : 230 cm  
 Door hinge : Left reversible  
 Storage Period in Event of Power Failure (h) : 9 h  
 Warning signal / malfunction : visual and audible  
 Lockable door : No  
 Number of drawers/baskets (Stck) : 5  
 Number of freezing flaps (Stck) : 2  
 EAN code : 4242004250227  
 Brand : Neff  
 Product name / Commercial code : G17815CE0G  
 Product category : Upright freezer



4 242004 250227

N 90, Built-in freezer, 177.2 x 55.8 cm, soft close  
flat hinge  
G17815CE0G



COOKING PASSION SINCE 1877

## Features

### Functions

- Fixed hinge
- Fixed hinge

### Design features

- Full frost free, never have to defrost ever again
- Home Connect: Remote Monitoring and Control
- Electronic control (7 segment display)
- 1 compressor/1 cold circuit
- SuperFreeze function with automatic deactivation
- SoftClose door - dampens door movement, for smooth and effortless closure
- Ventilation in plinth, the plinth size can be varied
- Automatic defrost freezer
- Acoustic warning system
- Freezer malfunction warning signal: optical, acoustical

### Food freshness system

- 5 freezer drawers
- 2 hinged freezer compartment
- Safety glass shelves between freezer drawers

### Key features - Fridge section

- Left hinged door, reversible
- Connection value 120 W
- 220 - 240 V

### Dimension and installation

- Dimensions: 177.2 cm H x 55.8 cm W x 54.5 cm D
- Niche Dimensions: 177.5 cm H x 56 cm W x 55 cm D

### Key features - Freezer section

- 1 ice cube tray

### Design features

### Dimension and installation

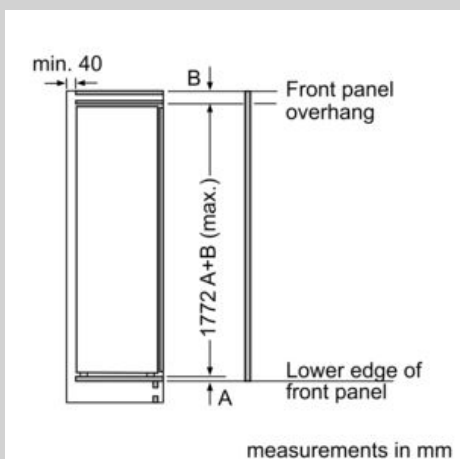
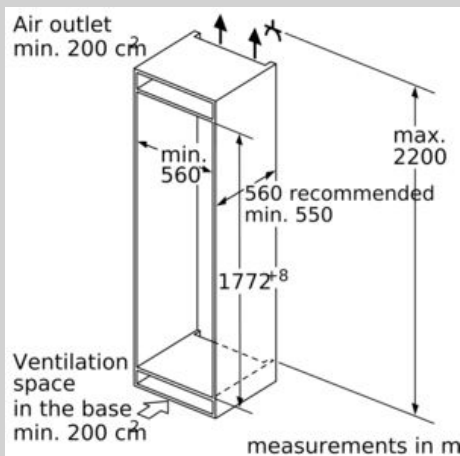
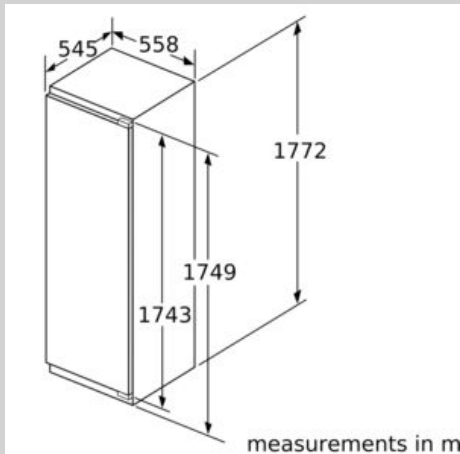
### Additional features

### Performance and Consumption

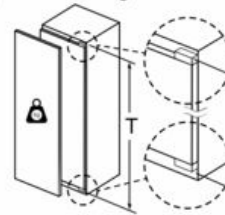
- Based on the results of the standard 24-hour test. Actual consumption depends on usage/position of the appliance.
- EU19\_EEK\_D: E
- Total Volume : 212 l
- Net Fridge Volume : 0 l
- Net Freezer Volume : 212 l
- Net 4\* compartment volume : 212 l
- Freezing capacity 24h : 14 kg
- Annual Energy Consumption: 235 kWh/a
- Climate Class: SN-T
- Noise Level : 35 dB , EU19\_Noise emission class\_D: B
- Temperature rise time : EU19\_Temperature rise time\_D: 9 H

N 90, Built-in freezer, 177.2 x 55.8 cm, soft close flat hinge  
G17815CE0G

## Dimensioned drawings



## Maximal permissible weight of the unit fronts

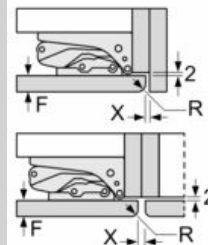


Fitted kitchen unit doors that exceed the permissible weight may cause damage and result in functional impairment of the hinges.

T: Includes height of appliance door Hinges in mm:	undamped hinge, Door in kg:	damped hinge, Door in kg:
1500-1750	22	22

## measurements in mm

## Recommended gap dimensions for flat hinges



F	R	X
16-19	0-3	2.5
20	0-1	3
	2-3	2.5
21	0-1	3
	2-3	2.5
22	0	4
	1	3.5
	2-3	3

The gap dimensions recommended in the table must be adhered to in order to ensure that appliance doors do not collide with anything when they are opened, and to avoid causing damage to kitchen units.

## Maximal permissible weight of the unit fronts

Fitted unit fronts that exceed the permissible weight may cause damage and result in functional impairment of the hinges.

Δ Weight  
A: Appliance door height including hinges in mm  
B: Undamped hinge, unit front in kg  
C: Damped hinge, unit front in kg

A	B	C
1500-1750	22	22
720-1400	19	19
A1	15	19
A2	15	19

N 90, Built-in freezer, 177.2 x 55.8 cm, soft close  
flat hinge  
G17815CE0G

Dimensioned drawings

