

**Serie | 6, Built-in freezer, 87.4 x 55.8 cm, flat hinge  
GIV21AFE0**



**The freezer with 3 transparent freezer drawers and SuperFreezing: freezes new items placed inside even faster.**

- **Automatic super freezing:** for freezing smaller food loads faster whilst protecting your frozen items from defrosting, thanks to the detection of temperature increase
- **BigBox frozen food drawer:** for stacking storage containers or for large frozen food items.
- **LowFrost:** defrost less often thanks to lower ice formation - saves work and is energy-efficient.
- An audible alarm system signals the door is open
- FreshSense sensors constantly monitor and control the ambient, fridge and freezer temperature

**Technical Data**

Energy Efficiency Class: E

Average annual energy consumption in kilowatt hour per year (kWh/a): 176 kWh/annum

Sum of volume of frozen compartments: 96 l

Airborne acoustical noise emissions : 36 dB(A) re 1 pW

Airborne acoustical noise emission class: C

Thermometer freeze section: None

Light: No

Product category: Upright freezer

Construction type: Built-in

Door panel options: Not possible

Frost free system: No

Height of the product: 874 mm

Width of the appliance: 558 mm

Depth of the product: 545 mm

Dimensions of the packed product (HxWxD): 950 x 640 x 620 mm

Net weight: 39.831 kg

Gross weight: 42.6 kg

Connection rating: 90 W

Fuse protection: 10 A

Frequency: 50 Hz

Approval certificates: CE, VDE

Length of electrical supply cord: 230 cm

Door hinge: Right reversible

Storage Period in Event of Power Failure (h): 13 h

Defrost process: manual

Warning signal / malfunction: visual and audible

Lockable door: No

Number of drawers/baskets (Stck): 3

Number of freezing flaps (Stck): 0

EAN code: 4242005126996

Brand: Bosch

Product name / Commercial code: GIV21AFE0

Product category: Upright freezer



## Serie | 6, Built-in freezer, 87.4 x 55.8 cm, flat hinge GIV21AFE0

**The freezer with 3 transparent freezer drawers and SuperFreezing: freezes new items placed inside even faster.**

### Design features

- LowFrost - less ice creation and therefore quicker defrosting - less ice build up, faster defrosting
- Fixed hinge
- LED electronic control
- SuperFreeze function with automatic deactivation
- Freezer malfunction warning signal: optical, acoustical

### Freezer Section

- 3 transparent freezer drawers, including 1 BigBox

### Technical Information

- Right hinged door, door reversible
- Connection value 90 W
- 220 - 240 V

### Dimension and installation

- Niche Dimensions: 88 cm H x 56 cm W x 55 cm D
- Dimensions: 87.4 cm H x 55.8 cm W x 54.5 cm D

### Accessories

- ice cube tray

### Included accessories

- KFZ20AX0, KFZ20SX0

### Country Specific Options

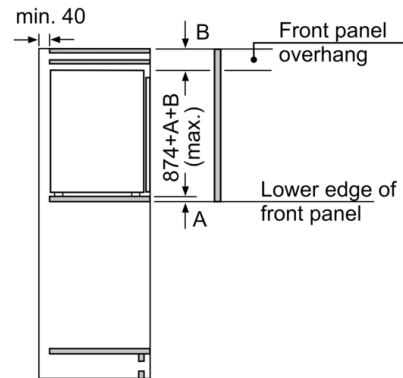
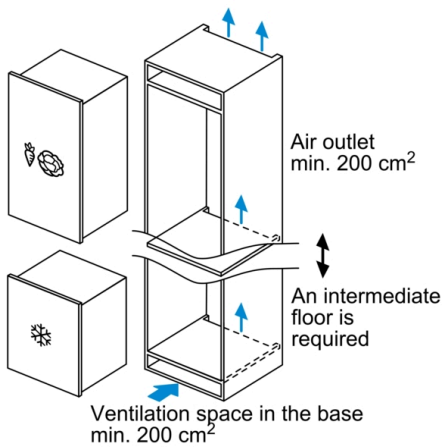
- Based on the results of the standard 24-hour test. Actual consumption depends on usage/position of the appliance.

### Additional features

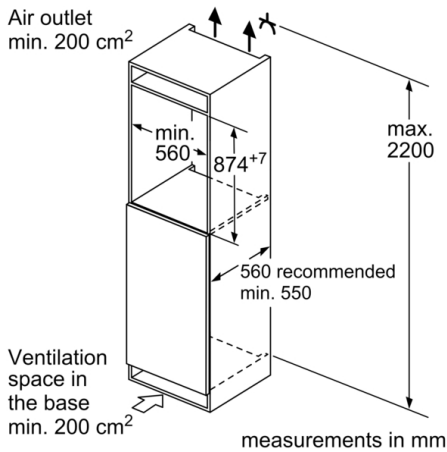
#### Performance and Consumption

- EU19\_EEK\_D: E
- Total Volume : 96 l
- Freezing capacity 24h : 5 kg
- Annual Energy Consumption: 176 kWh/a
- Climate Class: SN-T
- Noise Level : 36 dB , EU19\_Noise emission class\_D: C
- Temperature rise time : EU19\_Temperature rise time\_D: 13 H

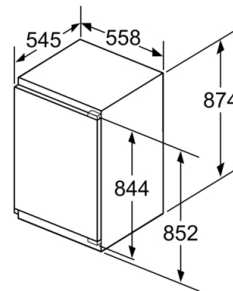
**Serie | 6, Built-in freezer, 87.4 x 55.8 cm, flat hinge  
GIV21AFE0**



measurements in mm



measurements in mm



measurements in mm

measurements in mm  
Recommended gap dimensions for flat hinges

F	R	X
16-19	0-3	2.5
20	0-1	3
	2-3	2.5
21	0-1	3
	2-3	2.5
22	0	4
	1	3.5
	2-3	3

The gap dimensions recommended in the table must be adhered to in order to ensure that appliance doors do not collide with anything when they are opened, and to avoid causing damage to kitchen units.

**Maximal permissible weight of the unit fronts**

Fitted unit fronts that exceed the permissible weight may cause damage and result in functional impairment of the hinges

Δ Weight

A: Appliance door height including hinges in mm

B: Undamped hinge, unit front in kg

C: Damped hinge, unit front in kg

A	B	C
1500-1750	22	22
720-1400	19	19
A1	15	19
A2	15	19

**Serie | 6, Built-in freezer, 87.4 x 55.8 cm, flat hinge  
GIV21AFE0**

