

**Serie | 6, Built-in oven, 60 x 60 cm,
Stainless steel
HBG5785S6B**



**The built-in oven with meatprobe and
AutoPilot: automatically prepares your
dishes to perfection.**

- **Meatprobe:** measures the optimal core temperature of the roast.
- **3D Hotair:** even heat distribution for perfect results on up to three levels.
- **AutoPilot 30:** Perfectly cooks dishes thanks to 30 pre-set automatic programmes.
- **White LCD display control:** easy-to-use thanks to direct access to additional functions, temperature recommendation and temperature indication.
- **Pop-out controls:** Make the front of the oven easy to clean and give it a sleek look.

Technical Data

Color / Material Front : Stainless steel
 Construction type : Built-in
 Integrated Cleaning system : Pyrolytic
 Required niche size for installation (HxWxD) : 585-595 x 560-568 x 550 mm
 Dimensions : 595 x 594 x 548 mm
 Dimensions of the packed product (HxWxD) : 675 x 690 x 660 mm
 Control Panel Material : Stainless steel
 Door Material : Glass
 Net weight : 38.279 kg
 Usable volume of cavity : 71 l
 Cooking method : Conventional heat, Defrost, Full width grill, Hot Air, Hotair gentle, Hot air grilling, low temperature cooking, Pizza setting, warming
 First cavity material : Other
 Oven control : electronic
 Number of interior lights : 1
 Approval certificates : CE, VDE
 Length of electrical supply cord : 120 cm
 EAN code : 4242005178193
 Number of cavities (2010/30/EC) : 1
 Energy efficiency rating : A
 Energy consumption per cycle conventional (2010/30/EC) : 0.99 kWh/cycle
 Energy consumption per cycle forced air convection (2010/30/EC) : 0.81 kWh/cycle
 Energy efficiency index (2010/30/EC) : 95.3 %
 Connection rating : 2990 W
 Fuse protection : 13 A
 Voltage : 220-240 V
 Frequency : 50; 60 Hz
 Plug type : no plug

Included accessories

2 x combination grid
 1 x universal pan

Optional accessories

HEZ531000 : Baking tray, grey enamelled
 HEZ531010 : Baking tray, non-stick ceramic coated
 HEZ538000 : 1fold telescopic rail, level independent
 HEZ634000 : Baking and roasting grid (standard)
 HEZ638300 : 3 level telescopic rails, full ext
 HEZ915003 : Glass roasting dish, 5,4 L



Serie | 6, Built-in oven, 60 x 60 cm, Stainless steel HBG5785S6B

The built-in oven with meatprobe and AutoPilot: automatically prepares your dishes to perfection.

Design

- LCD-display control (white)
- Drop down door, SoftClose, SoftOpen
- Rotary dial, Retractable control dials, round
- Straight bar handle

Features

- Home Connect ready
- Electronic door lock
 - Control panel lock
 - Automatic safety switch off
 - Residual heat indicator
 - Door contact switch
- Digital temperature display with proposal
 - Heating-up indicator
 - AutoPilot
 - Automatic start
 - Temperature probe
- AutoPilot, 30
- Single-point meat probe
- 5 shelf positions
- Integral cooling fan
- Electronic clock timer
- Interior halogen light, Light on/off when oven door opened/closed

Cleaning

- Pyrolytic self-cleaning function
- Full glass inner door

Programmes/functions

- Oven with 9 PC heating methods: 3D Hotair, conventional top and bottom heat, Hotair grilling, full width variable grill, pizza function, low temperature cooking, defrost, keep warm, Hotair gentle
- Fast pre-heating function
- Automatic programmes

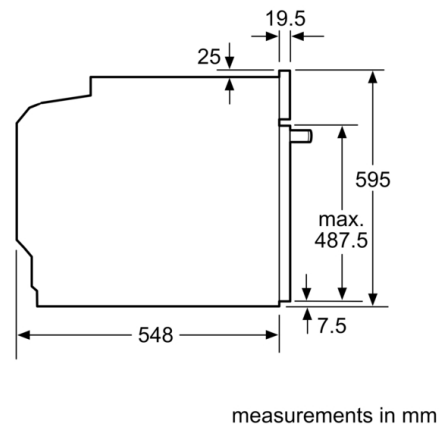
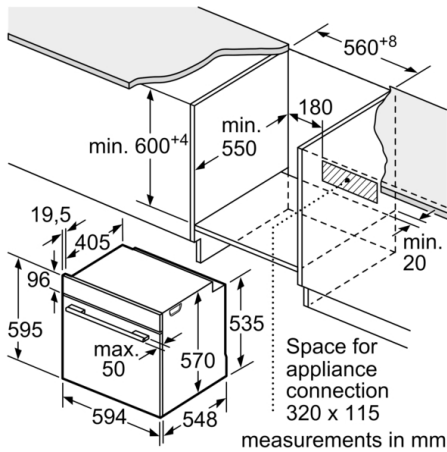
Accessories

- 1 set of level independent telescopic rails, Stop function
- 2 x combination grid, 1 x universal pan

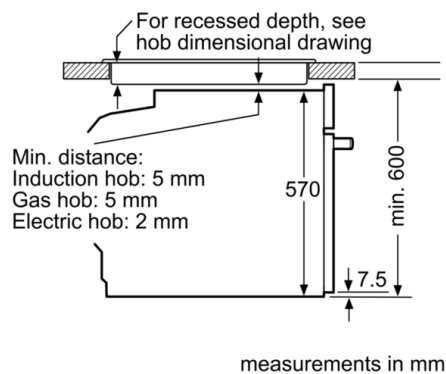
Performance/technical information

- Energy efficiency rating (acc. EU Nr. 65/2014): A
- Energy consumption per cycle in conventional mode: 0.99 kWh
- Energy consumption per cycle in fan-forced convection mode: 0.81 kWh
- Number of cavities: Main cavity
- Heat source: electrical
- Cavity volume: 71 litre capacity
- 120 cm Cable length
- Total connected load electric: 2.99 KW
- Temperature range 30 °C - 275 °C
- Nominal voltage: 220 - 240 V
- Appliance dimension (hxwxd): 595 mm x 594 mm x 548 mm
- Niche dimension (hxwxd): 585 mm - 595 mm x 560 mm - 568 mm x 550 mm
- Please refer to the dimensions provided in the installation manual

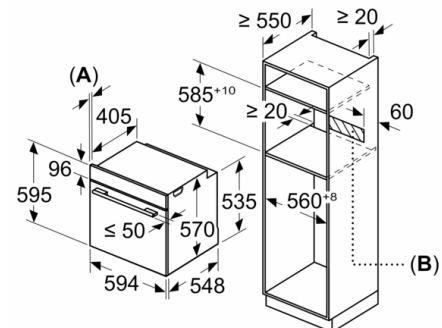
Serie | 6, Built-in oven, 60 x 60 cm, Stainless steel
HBG5785S6B



Installation with a hob.



Measurements in mm



A: 19.5 mm
B: Space for appliance connection 320×115 mm