

**Serie | 8, Built-in oven, 60 x 60 cm,
Stainless steel
HBG634BS1B**



Included accessories

2 x combination grid
1 x universal pan

Optional accessories

HEZ530000 : Half tray
HEZ531010 : Baking tray, non-stick ceramic coated
HEZ625071 : Grill tray, anthracite enamelled
HEZ631070 : Baking tray, anthracite enamelled
HEZ634000 : Baking and roasting grid (standard)
HEZ636000 : Glass pan
HEZ638100 : 1 level telescopic shelf rail, full ext
HEZ638300 : 3 level telescopic rails, full ext
HEZ915003 : Glass roasting dish, 5,4 L

- **4D Hotair:** even heat distribution for perfect results – on any level.
- **TFT display control:** easy-to-use thanks to the control ring with full text and symbols.
- **EcoClean Direct:** less cleaning effort thanks to a special coating of the rear wall that automatically absorbs grime.
- **Cleaning Assistance:** less cleaning effort thanks to the new cleaning option, which can be especially used for cleaning of light soiling.
- **Drop down door with SoftOpen and SoftClose:** the oven door opens and closes gently and quietly

Technical Data

Color / Material Front : Stainless steel
Construction type : Built-in
Integrated Cleaning system : Catalytic partial, Hydrolytic
Required niche size for installation (HxWxD) : 585-595 x 560-568 x 550 mm
Dimensions : 595 x 594 x 548 mm
Dimensions of the packed product (HxWxD) : 670 x 680 x 670 mm
Control Panel Material : Stainless steel
Door Material : Glass
Net weight : 34.466 kg
Usable volume of cavity : 71 l
Cooking method : 4D Hotair, Bottom heat, Conventional heat, Defrost, Full width grill, Half width grill, Hot Air-Eco, Hot air grilling, low temperature cooking, Pizza setting, pre-heating, warming
Oven control : electronic
Number of interior lights : 1
Approval certificates : CE, VDE
Length of electrical supply cord : 120 cm
EAN code : 4242002808536
Number of cavities (2010/30/EC) : 1
Energy efficiency rating : A+
Energy consumption per cycle conventional (2010/30/EC) : 0.87 kWh/cycle
Energy consumption per cycle forced air convection (2010/30/EC) : 0.69 kWh/cycle
Energy efficiency index (2010/30/EC) : 81.2 %
Connection rating : 3600 W
Fuse protection : 16 A
Voltage : 220-240 V
Frequency : 60; 50 Hz
Plug type : no plug



4 242002 808536

Serie | 8, Built-in oven, 60 x 60 cm, Stainless steel

HBG634BS1B

Design

- 2.5"-TFT colour and text display with direct select buttons
- Drop down door, SoftClose, SoftOpen
- Bosch control wheel
- Straight bar handle

Features

- Control panel lock
- Automatic safety switch off
- Residual heat indicator
- Start button
- Door contact switch
- Digital temperature display with proposal
- Actual temperature display
- Heating-up indicator
- Electronic clock timer
- Integral cooling fan
- 5 shelf positions
- Interior halogen light, Light on/off when oven door opened/closed

Cleaning

- EcoClean Direct : back panel
- Full glass inner door

Programmes/functions

- Oven with 13 cooking functions: heating methods: 4D Hotair, Hotair Gentle, conventional top and bottom heat, conventional heat Gentle, Hotair grilling, full width variable grill, half width grill, pizza function, bottom heat, low temperature cooking, defrost, plate warming, keep warm
- Fast pre-heating function

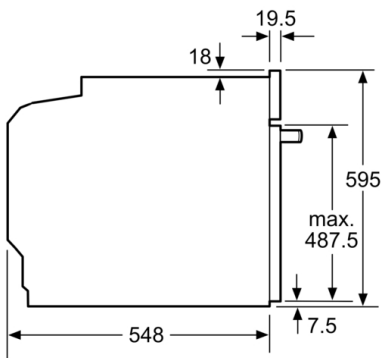
Accessories

- 1 x universal pan, 2 x combination grid

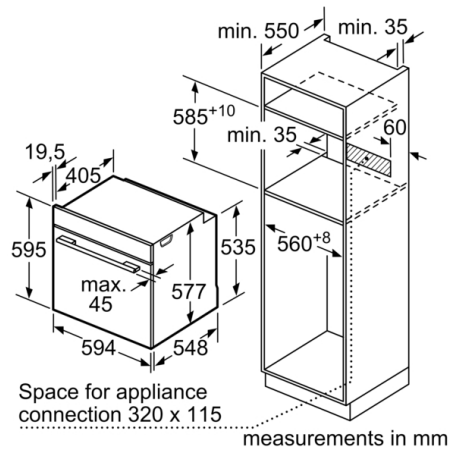
Performance/technical information

- Energy efficiency rating (acc. EU Nr. 65/2014): A+
- Energy consumption per cycle in conventional mode: 0.87 kWh
- Energy consumption per cycle in fan-forced convection mode: 0.69 kWh
- Number of cavities: Main cavity
- Heat source: electrical
- Cavity volume: 71 litre capacity
- 120 cm Cable length
- Temperature range 30 °C - 275 °C
- Total connected load electric: 3.6 KW
- Nominal voltage: 220 - 240 V
- Appliance dimension (hxwxd): 595 mm x 594 mm x 548 mm
- Niche dimension (hxwxd): 585 mm - 595 mm x 560 mm - 568 mm x 550 mm
- Please refer to the dimensions provided in the installation manual

Serie | 8, Built-in oven, 60 x 60 cm, Stainless steel
HBG634BS1B



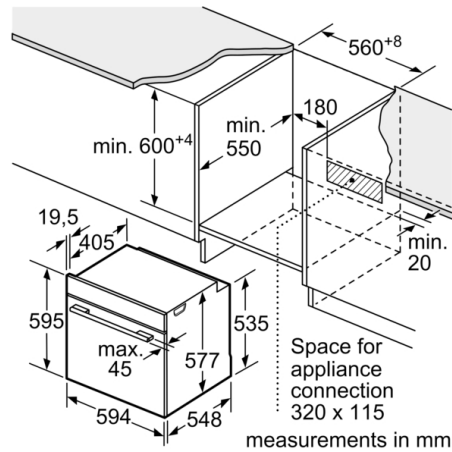
measurements in mm



measurements in mm

If the appliance will be installed underneath a hob, the following worktop thicknesses (including substructure if necessary) must be taken into account.

Hob type	min. worktop thickness	
	fitted	flush
Induction hob	37 mm	38 mm
Full surface Induction hob	47 mm	48 mm
Gas hob	30 mm	38 mm
Electric hob	27 mm	30 mm



measurements in mm