

**Serie | 8, Built-in oven, 60 x 60 cm,
Black
HBG6764B6B**



A+



The built-in oven with PerfectBake and PerfectRoast: you get perfect baking and roasting results – automatically.

- **PerfectBake:** the easy way to perfect baking results.
- **PerfectRoast:** precise measurement of core temperature for a perfect roast.
- **4D Hotair:** even heat distribution for perfect results – on any level.
- **Assist:** sets the optimal type of heat, temperature and time automatically for a wide range of dishes.
- **TFT touchdisplay:** clearly shows text and images, for easy and intuitive oven control.

Technical Data

Color / Material Front : Black
 Construction type : Built-in
 Integrated Cleaning system : Pyrolytic+Hydrolytic
 Required niche size for installation (HxWxD) : 585-595 x 560-568 x 550 mm
 Dimensions : 595 x 594 x 548 mm
 Dimensions of the packed product (HxWxD) : 670 x 680 x 670 mm
 Control Panel Material : Glass
 Door Material : Glass
 Net weight : 38.966 kg
 Usable volume of cavity : 71 l
 Cooking method : 4D Hotair, Bottom heat, Conventional heat, Defrost, Full width grill, Half width grill, Hot Air-Eco, Hot air grilling, low temperature cooking, Pizza setting, pre-heating, warming
 Oven control : electronic
 Number of interior lights : 1
 Approval certificates : CE, VDE
 Length of electrical supply cord : 120 cm
 EAN code : 4242002932507
 Number of cavities (2010/30/EC) : 1
 Energy efficiency rating : A+
 Energy consumption per cycle conventional (2010/30/EC) : 0.87 kWh/cycle
 Energy consumption per cycle forced air convection (2010/30/EC) : 0.69 kWh/cycle
 Energy efficiency index (2010/30/EC) : 81.2 %
 Connection rating : 3600 W
 Fuse protection : 16 A
 Voltage : 220-240 V
 Frequency : 50; 60 Hz
 Plug type : no plug

Included accessories

1 x combination grid
 1 x universal pan

Optional accessories

HEZ530000 : Half tray
 HEZ531010 : Baking tray, non-stick ceramic coated
 HEZ625071 : Grill tray, anthracite enamelled
 HEZ631070 : Baking tray, anthracite enamelled
 HEZ634000 : Baking and roasting grid (standard)
 HEZ636000 : Glass pan
 HEZ638370 : 3 level telescopic rails, full ext,pyro
 HEZ915003 : Glass roasting dish, 5,4 L



Serie | 8, Built-in oven, 60 x 60 cm, Black HBG6764B6B

The built-in oven with PerfectBake and PerfectRoast: you get perfect baking and roasting results – automatically.

Design

- 3x 2,5"-TFT colour and graphics display with direct touch function
- Bosch control wheel
- Straight bar handle
- Drop down door, SoftClose, SoftOpen

Features

- Home Connect ready
- Electronic door lock
 - Control panel lock
 - Automatic safety switch off
 - Residual heat indicator
 - Start button
 - Door contact switch
- Digital temperature display with proposal
 - Actual temperature display
 - Heating-up indicator
 - Temperature probe
- BoschAssist
- PerfectBake sensor
 - PerfectRoast meatprobe
- Electronic clock timer
- Interior halogen light, Light on/off when oven door opened/closed
- 5 shelf positions
- Integral cooling fan

Cleaning

- Pyrolytic self-cleaning function
- Full glass inner door

Programmes/functions

- Oven with 13 cooking functions: heating methods: 4D Hotair, Hotair Gentle, conventional top and bottom heat, conventional heat Gentle, Hotair grilling, full width variable grill, half width grill, pizza function, bottom heat, low temperature cooking, defrost, plate warming, keep warm
- Fast pre-heating function

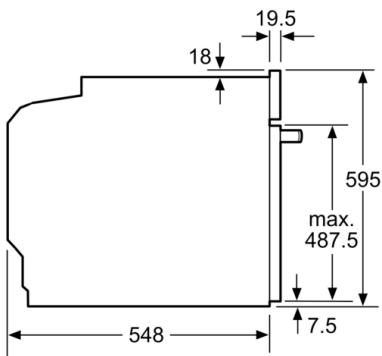
Accessories

- 1 level telescopic shelf, full extension, Stop function, pyrolytic proof
- 1 x combination grid, 1 x universal pan

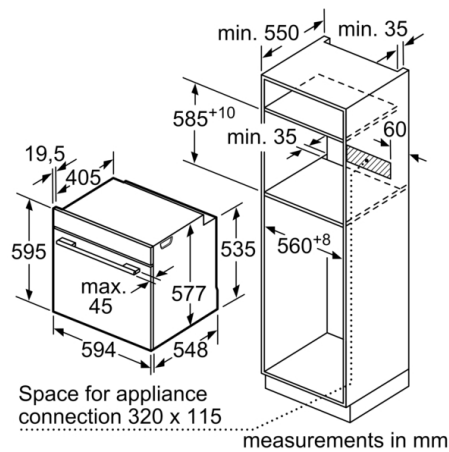
Performance/technical information

- Energy efficiency rating (acc. EU Nr. 65/2014): A+
- Energy consumption per cycle in conventional mode: 0.87 kWh
- Energy consumption per cycle in fan-forced convection mode: 0.69 kWh
- Number of cavities: Main cavity
- Heat source: electrical
- Cavity volume: 71 litre capacity
- 120 cm Cable length
- Temperature range 30 °C - 275 °C
- Total connected load electric: 3.6 KW
- Nominal voltage: 220 - 240 V
- Appliance dimension (hxwxh): 595 mm x 594 mm x 548 mm
- Niche dimension (hxwxh): 585 mm - 595 mm x 560 mm - 568 mm x 550 mm
- Please refer to the dimensions provided in the installation manual

**Serie | 8, Built-in oven, 60 x 60 cm, Black
HBG6764B6B**



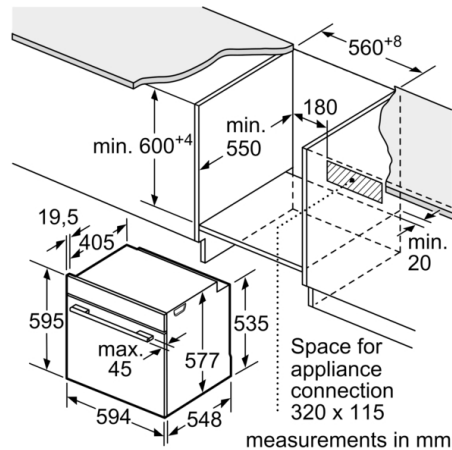
measurements in mm



measurements in mm

If the appliance will be installed underneath a hob, the following worktop thicknesses (including substructure if necessary) must be taken into account.

Hob type	min. worktop thickness	
	fitted	flush
Induction hob	37 mm	38 mm
Full surface Induction hob	47 mm	48 mm
Gas hob	30 mm	38 mm
Electric hob	27 mm	30 mm



measurements in mm