

N 50, Built-under double oven, Stainless steel
J1ACE2HN0B



COOKING PASSION SINCE 1877



A



Built under double oven - twice as flexible, twice as fast - bake or roast multiple dishes at the same time.

- ✓ EasyClean - this special cleaning aid provides uncomplicated, energy-saving cleaning of the oven interior.
- ✓ LCD-Display - simple, straightforward with large characters for clear reading
- ✓ Cliprails - Place dishes exactly where you want them in your oven.

Features

Technical Data

Color / Material Front : Stainless steel
 Construction type : Built-in
 Integrated Cleaning system : No
 Dimensions : 717 x 594 x 550 mm
 Dimensions of the packed product (HxWxD) : 790 x 690 x 660 mm
 Control Panel Material : Glass
 Door Material : Glass
 Net weight : 47.391 kg
 Usable volume of cavity : 47 l
 Cooking method : Conventional heat, Full width grill, Hot Air, Hotair gentle, Hot air grilling, Pizza setting
 Oven control : mechanical
 Number of interior lights : 1
 Approval certificates : CE, VDE
 EAN code : 4242004221982
 Energy efficiency rating : A
 Energy consumption per cycle conventional (2010/30/EC) : 0.84 kWh/cycle
 Energy consumption per cycle forced air convection (2010/30/EC) : 0.71 kWh/cycle
 Energy efficiency class (2010/30/EC) - cavity 2 : B
 Energy consumption per cycle conventional - cavity 2 (2010/30/EC) : 0.83 kWh/cycle
 Energy efficiency index (2010/30/EC) : 94.7 %
 Energy efficiency index cavity 2 (2010/30/EC) : 120.3 %
 Connection rating : 5300 W
 Fuse protection : 25 A
 Voltage : 220-240 V
 Frequency : 50 Hz
 Plug type : fixed connection, no plug

Included accessories

2 x combination grid, 1 x universal pan

Optional accessories

Z11AB15A0 Baking tray, non-stick ceramic coated
 Z11CB10E0 Baking tray, grey enamelled
 Z11CR10X0 Baking and roasting grid (standard)
 Z11TI15X0 Cliprails



4 242004 221982

Features

- LCD Display (White)

Features

- Control panel lock
- Interior halogen light
- Cavity volume: 34 Litre
- Door hinge small cavity: bottom
- Cavity (inner surface) top: Enamel grey
- EasyClean
- Full glass inner door
- 1 Clip rail, Stop function
- Cavity (inner surface) bottom: enamel grey
- Door hinge big cavity: Drop down door

Top oven additional features

- Oven with 4 heating methods: Top/bottom heat, Full surface grill, Small area grill, Bottom heat
- Temperature range 50 °C - 275 °C

Main oven additional features

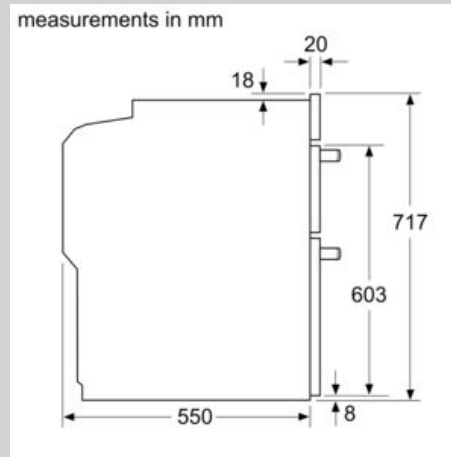
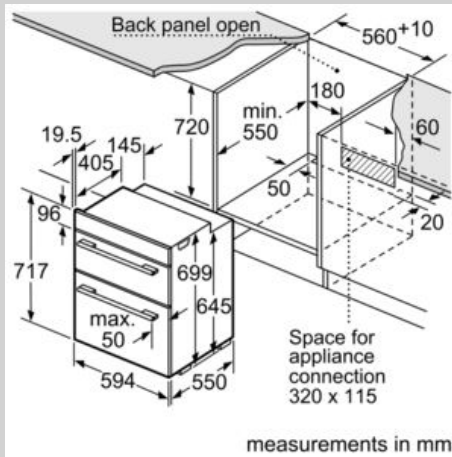
- 2 x combination grid, 1 x universal pan

Performance/technical information

- Nominal voltage: 220 - 240 V
- Appliance dimension (h_xw_xd): 717 mm x 594 mm x 550 mm
- Please refer to the dimensions provided in the installation manual

N 50, Built-under double oven, Stainless steel
J1ACE2HNOB

Dimensioned drawings



measurements in mm
If the appliance will be installed underneath a hob, the following worktop thicknesses (including substructure if necessary) must be taken into account.

Hob type	min. worktop thickness	
	fitted	flush
Induction hob	39	40
Full-surface induction hob	49	50
Gas hob	29	40
Electric hob	29	32

