

**Serie | 8, French door bottom freezer,
multiDoor, 183 x 90.5 cm, Inox-
easyclean
KFF96PIEP**



**The impressive Multi Door model with
VitaFresh pro 0°C: keeps your food fresh at
0°C and optimized humidity condition**

- **NoFrost:** you'll never have to defrost your fridge-freezer again.
- **Metal backwall with MultiAirflow:** evenly circulates cool, fresh air to maintain consistent temperatures.
- **Home Connect:** home appliances with smart connectivity for an easier everyday life.
- **XXL capacity:** extra space for your food when you need it.
- **Ice&Water Dispenser with tap connection:** Convenient ice maker for fresh cubes and chilled water.

Technical Data

Energy Efficiency Class: E

Average annual energy consumption in kilowatt hour per year (kWh/a): 333 kWh/annum

Sum of volume of frozen compartments: 171 l

Sum of volume of chill compartments: 402 l

Airborne acoustical noise emissions : 39 dB(A) re 1 pW

Airborne acoustical noise emission class: C

Construction type: Free-standing

Door panel options: Not possible

Width of the appliance: 905 mm

Depth of the product: 706 mm

Net weight: 158.301 kg

Fuse protection: 10 A

Door hinge: Other

Voltage: 220-240 V

Frequency: 50-60 Hz

Approval certificates: CSA

Length of electrical supply cord: 240 cm

Storage Period in Event of Power Failure (h): 18 h

Number of compressors: 2

Number of independent cooling systems: 2

Interior ventilator: Yes

Reversible Door Hinge: No

Number of Adjustable Shelves in fridge compartment (Stck): 4

Shelves for Bottles: Yes

Installation type: N/A

Included accessories

1 x cartridge for water filtering system



Serie | 8, French door bottom freezer, multiDoor, 183 x 90.5 cm, Inox-easyclean KFF96PIEP

The impressive Multi Door model with VitaFresh pro 0°C: keeps your food fresh at 0°C and optimized humidity condition

- Standard door Stainless Steel EasyClean
- Standard door
Stainless Steel EasyClean door and chrome inox metallic side panels.

Design features

- Bright interior LED fridge light
- Interior design with metal applications
- 3 x 7 segment
- Super Cooling: automatic deactivation
- Automatic defrost fridge
- Holiday mode - saves energy when you're away a longer period of time, Sabbath Mode
- Optical and acoustical

Design features

- MultiAirflow system - improves circulation of air around the fridge

Dimension and installation

- Dimensions: 183 cm H x 90.5 cm W x 70.6 cm D
- 4 wheels for easier transport, 3 of them height adjustable.
- 220 - 240 V

Key features - Fridge section

Food freshness system

- AirFreshFilter with AntiBacterial filter to reduce odours and bacteria
- 4 safety glass shelves of which 4 are height adjustable, Dividable glass shelf 2 shelves extendable
- Door shelves in fridge door: 2 large and 3 small.
- 1 dairy compartment in door
- flexible bar
- cartridge for water filtering system
- 4 safety glass shelves (4 height adjustable)
- 2 removable door storage compartments.
- Bright interior LED fridge light
- Metal backwall
- 1 VitaFresh drawer - Fish and meat stay fresh for longer
2cont0°C.2flexTemp&2reg hum

Key features - Freezer section

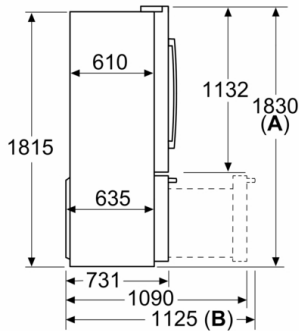
- Freezer malfunction warning signal: optical and acoustical
- Automatic ice cube maker
- 3 freezer drawers
- Freezer malfunction warning signal: optical and acoustical warning system
- Based on the results of the standard 24-hour test. Actual consumption depends on usage/position of the appliance.
- To achieve the declared energy consumption, the distanceholders have to be used. As a result, the appliance depth increases by about 3.5 cm. The appliance used without the distance holder is fully functional, but has a slightly higher energy consumption.

Performance and Consumption

- EU19_EEK_D: E
- Total Volume : 573 l
- Net Fridge Volume : 402 l
- Net Freezer Volume : 171 l
- Net 4* compartment volume : 171 l
- Freezing capacity 24h : 15 kg
- Annual Energy Consumption: 333 kWh/a
- Climate Class: SN-T
- EU19_Fast freezer facility_D
- Noise Level : 39 dB , EU19_Noise emission class_D: C
- Temperature rise time : EU19_Temperature rise time_D: 18.5 H
- Dividable glass shelf
- VitaFresh pro: keeps fruit, vegetables, fish and meat fresher for longer.

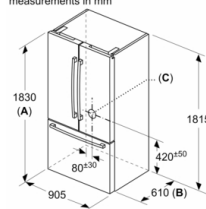
**Serie | 8, French door bottom freezer,
multiDoor, 183 x 90.5 cm, Inox-easyclean
KFF96PIEP**

measurements in mm



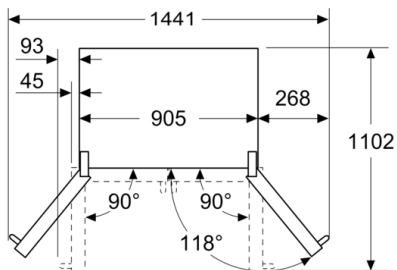
A: Front is adjustable from 1830 to 1847,
with front levelling feet fully extended
B: With handle

measurements in mm

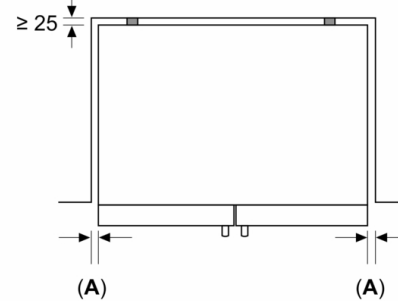


A: Front is adjustable from 1830 to 1847,
with front levelling feet fully extended
B: Add 25 for fixed spacers on back
C: Water connection position

measurements in mm

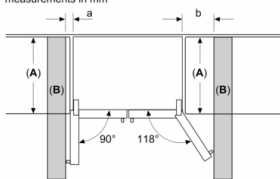


measurements in mm



A: 3.2
Leave a clearance of min. 12.7 above the
appliance
Observe minimum clearances as seen above

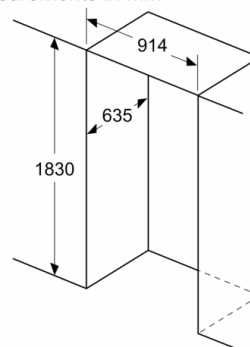
measurements in mm



A	a	b
600	0	0
650	0	33
700	45	60
B	93	266

A: Unit depth
B: Wall

measurements in mm



A: If you install the appliance in a niche,
adhere to the shown dimensions