

**Serie | 4, Built-in fridge-freezer with freezer at bottom, 177.2 x 54.1 cm, flat hinge
KIV87VFE0G**



The spacious built-in fridge-freezer combination with VitaFresh XXL keeps food fresh for longer.

- **VitaFresh XXL:** the extra-large, climated-controlled fridge drawer for fruit and vegetables.
- **EcoAirflow:** optimal air circulation and a constant temperature level in the cooling area.
- **LowFrost:** defrost less often thanks to lower ice formation - saves work and is energy-efficient.
- Lots of space for large frozen goods cleverly combined with an extra inner box for smaller items.
- **High-stability door trays:** extra high and flexible for more space and stability.

Technical Data

Energy Efficiency Class: E
 Average annual energy consumption in kilowatt hour per year (kWh/a): 216 kWh/annum
 Sum of volume of frozen compartments: 70 l
 Sum of volume of chill compartments: 200 l
 Airborne acoustical noise emissions : 35 dB(A) re 1 pW
 Airborne acoustical noise emission class: B
 Construction type: Built-in
 Door panel options: Not possible
 Width of the appliance: 541 mm
 Depth of the product: 548 mm
 Required niche size for installation (HxWxD): 1775.0 x 560 x 550 mm
 Net weight: 53.276 kg
 Fuse protection: 10 A
 Door hinge: Right reversible
 Voltage: 220-240 V
 Frequency: 50 Hz
 Approval certificates: CE, VDE
 Length of electrical supply cord: 230 cm
 Storage Period in Event of Power Failure (h): 12 h
 Number of compressors: 1
 Number of independent cooling systems: 1
 Interior ventilator: No
 Reversible Door Hinge: Yes
 Number of Adjustable Shelves in fridge compartment (Stck): 4
 Shelves for Bottles: No
 Frost free system: No
 Installation type: Full-integrated
 Type of hinge: Flush-folding

Included accessories

3 x egg tray
 1 x ice cube tray



4 242005 241873

Serie | 4, Built-in fridge-freezer with freezer at bottom, 177.2 x 54.1 cm, flat hinge KIV87VFE0G

The spacious built-in fridge-freezer combination with VitaFresh XXL keeps food fresh for longer.

- KIV87VFE0G
- easy Installation

Functions

- Bright interior LED fridge light

Design features

- LED electronic control
- Super Cooling: No
- SuperFreezing function with automatic deactivation
- Acoustic alarm

Design features

- 5 safety glass shelves in fridge compartment of which 4 are height adjustable
- 4 door trays, including 1x dairy compartment
- 1 removable door storage compartments.
- 4 door bins

Freshness System

- 1 VitaFresh drawer with humidity control - Fruits and vegetables retain vitamins and stay fresh for longer

Food freshness system

- LowFrost - less ice creation and therefore quicker defrosting
- 2 transparent freezer drawers, including 1 BigBox

Dimension and installation

- Dimensions: 177.2 cm H x 54.1 cm W x 54.8 cm D
- Niche Dimensions: 177.5 cm H x 56 cm W x 55 cm D

Key features - Fridge section

- Right hinged door, door reversible
- 220 - 240 V

Key features - Freezer section

- 3 x egg tray, 1 x ice cube tray

Country Specific Options

- Based on the results of the standard 24-hour test. Actual consumption depends on usage/position of the appliance.

Design features

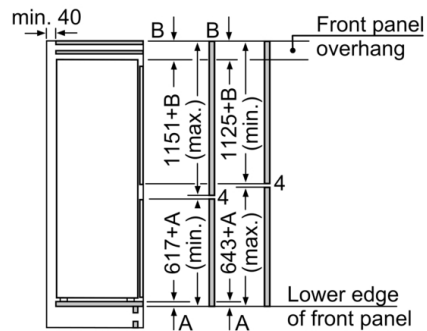
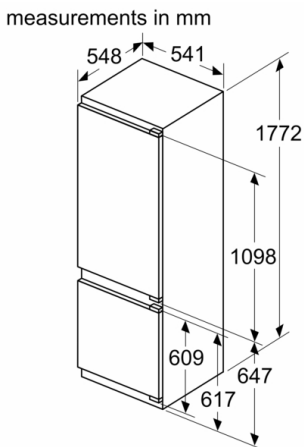
Dimension and installation

Additional features

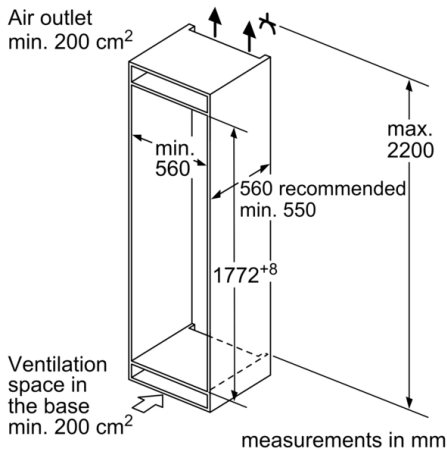
Performance and Consumption

- EU19_EEK_D: E
- Total Volume : 270 l
- Net Fridge Volume : 200 l
- Net Freezer Volume : 70 l
- Net 4* compartment volume : 70 l
- Freezing capacity 24h : 3.2 kg
- Annual Energy Consumption: 216 kWh/a
- Climate Class: SN-ST
- Noise Level : 35 dB , EU19_Noise emission class_D: B
- Temperature rise time : EU19_Temperature rise time_D: 12 H

Serie | 4, Built-in fridge-freezer with freezer at bottom, 177.2 x 54.1 cm, flat hinge KIV87VFE0G



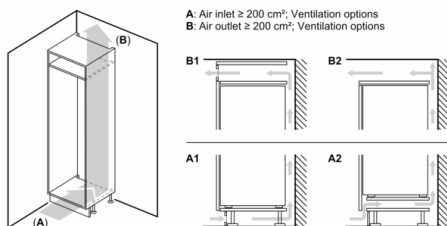
The specified unit door dimensions are valid for a door gap of 4 mm.
measurements in mm



measurements in mm
Recommended gap dimensions for flat hinges

	F	R	X
16-19	0-3	2.5	
	0-1	3	
20	2-3	2.5	
	0-1	3	
21	2-3	2.5	
	0	4	
22	1	3.5	
	2-3	3	

The gap dimensions recommended in the table must be adhered to in order to ensure that appliance doors do not collide with anything when they are opened, and to avoid causing damage to kitchen units.



Maximal permissible weight of the unit fronts
Fitted unit fronts that exceed the permissible weight may cause damage and result in functional impairment of the hinges

Δ Weight
A: Appliance door height including hinges in mm
B: Undamped hinge, unit front in kg
C: Damped hinge, unit front in kg

	A	B	C
1500-1750	22	22	
720-1400	19	19	
A1	15	19	
A2	15	19	