

**Serie | 6, Built-under fridge with
freezer section, 82 x 60 cm, flat hinge
KUL15AFF0G**



Included accessories

- 1 x egg tray
- 1 x ice cube tray

**The built-under refrigerator with MultiBox:
ideal storage location for fruits and
vegetables - very efficient.**

- LED lights bring a completely new lighting concept to fridges

Technical Data

Energy Efficiency Class: F
Average annual energy consumption in kilowatt hour per year (kWh/a): 180 kWh/annum
Sum of volume of frozen compartments: 15 l
Sum of volume of chill compartments: 108 l
Airborne acoustical noise emissions : 38 dB(A) re 1 pW
Airborne acoustical noise emission class: C
Construction type: Built-in
Door panel options: Possible but accessory
Height: 820 mm
Width of the appliance: 598 mm
Depth of the product: 548 mm
Required niche size for installation (HxWxD): 820 x 600 x 550 mm
Net weight: 34.841 kg
Connection rating: 90 W
Fuse protection: 13 A
Door hinge: Right reversible
Voltage: 220-240 V
Frequency: 50 Hz
Approval certificates: CE, G-Mark, VDE
Length of electrical supply cord: 230 cm
Storage Period in Event of Power Failure (h): 8 h
Number of compressors: 1
Number of independent cooling systems: 1
Interior ventilator: No
Reversible Door Hinge: Yes
Number of Adjustable Shelves in fridge compartment (Stck): 1
Shelves for Bottles: No
EAN code: 4242005199624
Brand: Bosch
Product name / Commercial code: KUL15AFF0G
Product category: Refrigerator
Frost free system: No
Installation type: Built-under



Serie | 6, Built-under fridge with freezer section, 82 x 60 cm, flat hinge KUL15AFF0G

**The built-under refrigerator with MultiBox:
ideal storage location for fruits and
vegetables - very efficient.**

Design features

- Right hinged door, door reversible
- LED electronic control
- Bright interior LED fridge light
- Easy clean interior

Food freshness system

- 2 MultiBox drawers

Key features - Fridge section

- 2 safety glass shelves of which 1 are height adjustable
- Door shelves in fridge door: 1 large and 2 small.
- Bottle holder in x-deep door tray
- Automatic defrost fridge

Key features - Freezer section

- 1 hinged freezer compartment
- Ice box

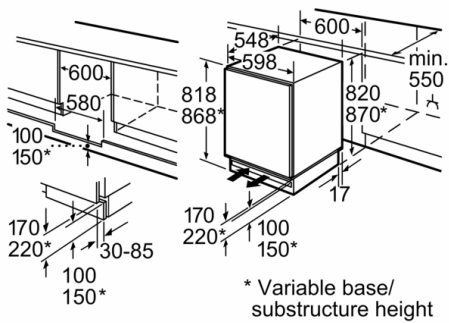
Dimension and installation

- Ventilation through plinth
- Connection value 90 W
- Dimensions: 82 cm H x 59.8 cm W x 54.8 cm D
- Niche Dimensions: 82 cm H x 60 cm W x 55 cm D
- Height adjustable feet in the front

Performance and Consumption

- EU19_EEK_D: F
- Total Volume : 123 l
- Net Fridge Volume : 108 l
- Net Freezer Volume : 15 l
- Freezing capacity 24h : 3.4 kg
- Annual Energy Consumption: 180 kWh/a
- Climate Class: SN-ST
- Noise Level : 38 dB , EU19_Noise emission class_D: C
- Temperature rise time : EU19_Temperature rise time_D: 8 H

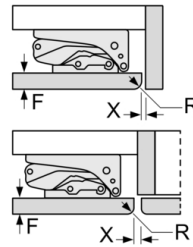
Serie | 6, Built-under fridge with freezer section, 82 x 60 cm, flat hinge KUL15AFF0G



Space for electrical connection next to the appliance on the left or right-hand side.
Ventilation space in the base.

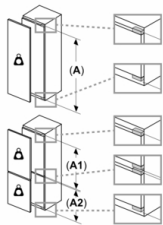
Measurements in mm

measurements in mm
Recommended gap dimensions for flat hinges



	F	R	X
16-19	0-3	2.5	
20	0-1	3	
	2-3	2.5	
21	0-1	3	
	2-3	2.5	
22	0	4	
	1	3.5	
	2-3	3	

The gap dimensions recommended in the table must be adhered to in order to ensure that appliance doors do not collide with anything when they are opened, and to avoid causing damage to kitchen units.



Maximal permissible weight of the unit fronts
Fitted unit fronts that exceed the permissible weight may cause damage and result in functional impairment of the hinges
A: Weight
A: Appliance door height including hinges in mm
B: Undamped hinge, unit front in kg
C: Damped hinge, unit front in kg

A	B	C
1500-1750	22	22
720-1400	19	19
A1	15	19
A2	15	19