

N 70, Modular Teppan Yaki, 40 cm  
N74TDO0N0



√ Touch Control – Control your hob with a simple touch.

#### Features

##### Technical Data

Product name/family : Vario/Domino Teppan Yaki  
 Construction type : Built-in  
 Energy input : Electric  
 Type of control : Electronic  
 Grill grating material : N/A  
 Required niche size for installation (HxWxD) : 90 x x mm  
 Width of the appliance : 396 mm  
 Dimensions : 90 x 396 x 546 mm  
 Dimensions of the packed product (HxWxD) : 230 x 480 x 610 mm  
 Net weight : 10.031 kg  
 Gross weight : 12.1 kg  
 Residual heat indicator : Separate  
 Location of control panel : Hob front  
 Basic surface material : N/A  
 Color of surface : Stainless steel, Stainless steel  
 Color of frame : Stainless steel  
 Approval certificates : CE, Eurasian, VDE  
 Length of electrical supply cord : 100 cm  
 EAN code : 4242004188117  
 Electrical connection rating : 1900 W  
 Fuse protection : 13 A  
 Voltage : 220-240 V  
 Frequency : 60; 50 Hz

#### Optional accessories

Z9914X0 Connecting strip



4 242004 188117

## Features

### Flexibility of cooking zones

- Big stainless steel roast area.
- Frying area can be heated complete or halfway.
- Cooking zone front middle: 292-344 mm, 0.95 KW

### Usage convenience

- TouchControl: directly control the power with imprinted touch bar.
- Variable 17-stage power settings for each zone: precisely adapt the heat with 17 power levels (9 main levels and 8 intermediate levels).
- Keep warm function: keep dishes warm at preset low power level.
- LED timer for each zone with switch off function and acoustic signal  
: an alarm sounds at the end of the time set (e.g. for pasta).
- Count up timer  
: shows how much time has passed since starting the timer (e.g. for potatoes).
- Thermostat can be set between 160-240 °C in steps of 10° C.
- Special level for keeping warm (70°C).
- Special level for cleaning (40°C).
- Display of the heat up phase.

### Time saving & efficiency

- ReStart function: in case of unintentional switch-off, this feature restores all previous settings by switching on the hob again within 4 seconds.

### Design

- Ceramic glass on stainless steel trim
- Removable black glass lid.

### Safety

- 2 stage residual heat indicators: indicates which cooking zones are still hot or warm.
- Control panel lock: prevent unintended activation of the hob.
- Control panel suspension: wipe overboiled liquids without unintentionally changing settings (blocking all touch buttons for 30 seconds).
- Main switch: switch off all cooking zones at the touch of a button.
- Power on indicator light: indicates if the hob is heating.
- Safety cut out facility: for safety reasons, heating stops after a preset time if not used (possible to customise).
- Energy consumption display: shows the electricity consumption of the last cooking process.

### Installation

- Dimensions of the product (HxWxD mm): 90 x 396 x 546
- Required niche size for installation (HxWxD mm) : 90 x 360 x (490 - 500)
- Min. worktop thickness: 30 mm
- Connected load: 1.9 KW
- Power cord: 1 m, connected directly

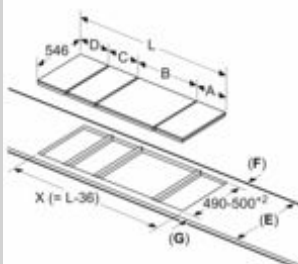
### Accessories

- spatula included

N 70, Modular Teppan Yaki, 40 cm  
N74TD00N0

## Dimensioned drawings

measurements in mm  
Domino combination options with corresponding appliance and cut-out dimensions (see table)

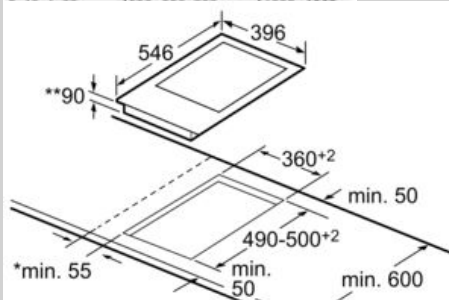


E	F	G
585-600	50	≥ 35
> 600	≥ 50	≥ 50

Domino combination options with corresponding appliance and cut-out dimensions

Width type: 30 40 60 70 80 90  
Appliance width: 306 396 606 708 826 918

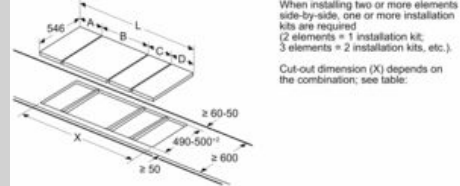
	A	B	C	D	L	X
2x30	306	306	-	-	612	576
1x30, 1x40	306	396	-	-	702	666
1x30, 1x60	306	606	-	-	912	876
1x30, 1x70*	306	708	-	-	1014	978
1x30, 1x80	306	826	-	-	1132	1096
1x30, 1x90	306	918	-	-	1224	1188
2x40	396	396	-	-	792	756
1x40, 1x60	396	606	-	-	1002	966
1x40, 1x70*	396	708	-	-	1104	1068
1x40, 1x80	396	826	-	-	1222	1186
1x40, 1x90	396	918	-	-	1314	1278
3x30	306	306	306	-	918	882
2x30, 1x40	306	306	396	-	1008	972
2x30, 1x60	306	306	606	-	1218	1182
2x30, 1x70*	306	306	708	-	1320	1284
2x30, 1x80	306	306	826	-	1438	1402
2x30, 1x90	306	306	918	-	1530	1494
1x30, 2x40	306	396	396	-	1098	1062
1x30, 1x40, 1x60	306	396	606	-	1308	1272
1x30, 1x40, 1x80	306	396	826	-	1528	1492
1x30, 1x40, 1x90	306	396	918	-	1620	1584
3x40	396	396	396	-	1188	1152



\* Minimum distance from the hob cut-out to the wall  
\*\* Maximum recessed depth

measurements in mm

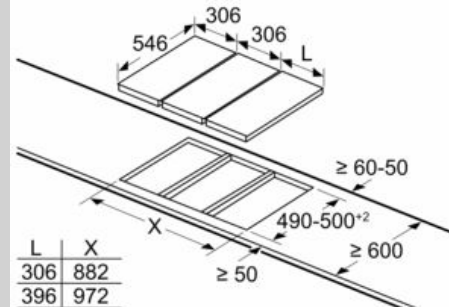
measurements in mm  
Picture for the table: Domino combination options with corresponding devices and cut-out dimensions



When installing two or more elements side-by-side, one or more installation kits are required:  
2 elements = 1 installation kit;  
3 elements = 2 installation kits, etc.).

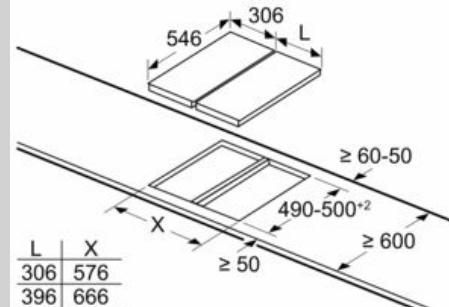
Cut-out dimension (X) depends on the combination, see table:

measurements in mm



When installing two or more Domino units side-by-side, one or more assembly kits are required (2 units = 1 assembly kit; 3 units = 2 assembly kits, etc.).

measurements in mm



When installing two or more Domino units side-by-side, one or more assembly kits are required (2 units = 1 assembly kit; 3 units = 2 assembly kits, etc.).