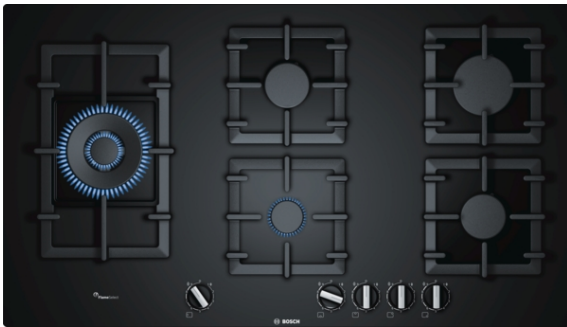


**Serie | 6, Gas hob, 90 cm, Tempered glass  
PPS9A6B90**



**The tempered-glass gas hob with FlameSelect: achieve perfect cooking results thanks to nine precisely defined power levels.**

- **FlameSelect:** adjust the gas flame precisely using nine defined levels.
- **Wok burner:** powerful cooking at up to 4 kW.
- **Standard and semi-flush built-in option:** choose between flush or surface mounted installation.
- **Semi-continuous cast-iron pan support:** for high stability and easy cleaning.
- **Biomethane-ready:** your gas hob can also be powered with renewable biomethane gas.

---

**Technical Data**

Product name/family : gas hob w integrated controls

Construction type : Built-in

Energy input : Gas

Total number of positions that can be used at the same time : 5

Type of control setting devices : sword knobs

Required niche size for installation (HxWxD) : 45 x 850-852 x 490-502 mm

Width of the appliance : 915 mm

Dimensions : 45 x 915 x 520 mm

Dimensions of the packed product (HxWxD) : 165 x 1116 x 659 mm

Net weight : 21.863 kg

Gross weight : 24.0 kg

Residual heat indicator : without

Location of control panel : Hob front

Basic surface material : Tempered glass

Color of surface : Black

Color of frame : Black

Approval certificates : CE

Length of electrical supply cord : 150 cm

EAN code : 4242002915067

Electrical connection rating : 1 W

Gas connection rating : 11500 W

Fuse protection : 3 A

Voltage : 220-240 V

Frequency : 60; 50 Hz



## Serie | 6, Gas hob, 90 cm, Tempered glass PPS9A6B90

### The tempered-glass gas hob with FlameSelect: achieve perfect cooking results thanks to nine precisely defined power levels.

ordered via the customer service. For nozzle change, please contact the customer service.

- Dimensions of the product (HxWxD mm): 58 x 915 x 520
- Required niche size for installation (HxWxD mm) : 45 x 850 x (490 - 502)
- Min. worktop thickness: 30 mm
- Power cord: 1.5 m
- Connected load: 11.5 KW

#### Design

- Tempered glass surface, Black
- frameless design: install the hob either flush or slightly raised on the worktop
- Cast iron pan supports with rubber feet

#### Usage convenience

- FlameSelect: precisely control and adjust the flame in nine defined levels.
- Design co-ordinated control dials: easily access dials in front with strong grip for effortless turning.
- Ignition via control dials: just push and turn the dials to ignite the flame.

#### Burners and power

- 5 gas burners:
- Left: wok burner up to 4 KW (depending on gas type)
- Center front: economy burner up to 1 KW (depending on gas type)
- Center rear: standard burner up to 1.75 KW (depending on gas type)
- Right rear: high-speed burner up to 3 KW (depending on gas type)
- Right front: standard burner up to 1.75 KW (depending on gas type)

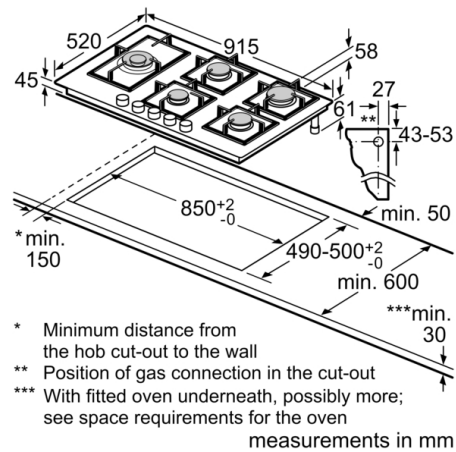
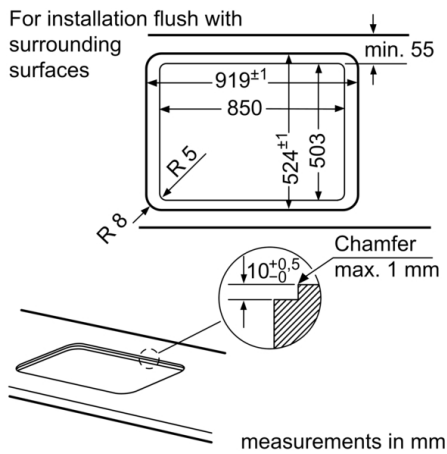
#### Safety

- Flame failure safety device: prevents unwanted gas flow when flame goes out.

#### Installation (gas types & measurements)

- Usable for: Nat gas L/LL G25/20mbar(DE)  
Natural gas H 25 mbar (HU)  
Liquid gas G30 37 mbar (PL)  
NG H/E 20mbar, E+ 20/25mbar  
Natural gas L 25 mbar (NL)  
Liquid gas G30,31 28-30/37mbar  
Liquid gas 50 mbar
- Pre-set for natural gas
- Nozzle set for LPG jets included. Connection to 28-30/37 mbar bottled gas. Nozzles for all other gas types can be

## Serie | 6, Gas hob, 90 cm, Tempered glass PPS9A6B90



- \* Minimum distance from the hob cut-out to the wall
- \*\* Position of gas connection in the cut-out
- \*\*\* With fitted oven underneath, possibly more; see space requirements for the oven