

**Serie | 4, Fully-integrated dishwasher,
60 cm
SGV4HAX40G**



Easy loading of your dishes and an option for extra-thoroughly dry dishes with just one push of a button.

- **ExtraDry:** extra drying option for difficult-to-dry loads.
- **Flex baskets:** flexible and practical solution for easy loading.
- **Favourite function:** personalised function by just one touch.
- **Silence Plus:** the remarkably quiet 44 dB dishwasher
- **InfoLight:** a red infolight on the floor indicates whether the dishwasher is switched on or off.

Technical Data

Energy Efficiency Class: D

Energy Consumption for 100 cycles Eco Programme: 84 kWh

Maximum number of place settings: 13

The water consumption of the eco programme in liters per cycle: 9.5 l

Programme duration: 4:55 h

Airborne acoustical noise emissions : 44 dB(A) re 1 pW

Airborne acoustical noise emission class: B

Construction type: Built-in

Height of removable worktop: 0 mm

Dimensions of the product (HxWxD): 815 x 598 x 550 mm

Required niche size for installation (HxWxD): 815-875 x 600 x 550 mm

Approval certificates: CE, VDE

Depth with open door 90 degree: 1150 mm

Adjustable feet: Yes - all from front

Maximum adjustability feet: 60 mm

Adjustable plinth: both horizontal and vertical

Net weight: 33.178 kg

Gross weight: 35.5 kg

Connection rating: 2400 W

Fuse protection: 10 A

Voltage: 220-240 V

Frequency: 50; 60 Hz

Length of electrical supply cord: 175 cm

Plug type: GB plug

Length inlet hose: 165 cm

Length outlet hose: 190 cm

EAN code: 4242005322060

Installation type: Full-integrated



Optional accessories

SGZ1010 : inlet and outlet hose extention

SMZ5005 : Compensating + fixing kit, stainl. steel

SMZ5035 : Decor conversion kit, stainless steel

SMZ5300 : GlassSecure Tray



Serie | 4, Fully-integrated dishwasher, 60 cm SGV4HAX40G

Easy loading of your dishes and an option for extra-thoroughly dry dishes with just one push of a button.

New for 2021

Performance

- Energy Efficiency Class¹: D
- Energy² / Water³: 84 kWh / 9.5 litres
- Capacity: 13 place settings
- Programme duration⁴: 4:55 (h:min)
- Noise level: 44 dB(A) re 1 pW
- Noise Efficiency Class: B
- Noise level (silence programme): 41 dB(A) re 1 pW

Programmes / functions

- 6 programmes: Eco 50 °C, Auto 45-65 °C, Intensive 70 °C, Express 65°, Silence 50 °C, Favourite
- Default favourite programme: Pre-Rinse
- 3 special options: Extra Dry, Half Load, SpeedPerfect+
- Machine Care

Flexible design elements

- Flex basket system
- 3 stage Rackmatic height-adjustable top basket
- Low friction wheels on bottom basket
- Rack Stopper to prevent derailing of bottom basket
- 2 foldable plate racks in top basket
- 2 foldable plate racks in bottom basket
- Knife rack in top basket
- Moveable cutlery basket in lower rack
- Upper rack cup shelf

Innovations and technology

- Heat exchanger.
- DosageAssist detergent dispenser
- EcoSilence BLDC drive
- Automatic detergent detection
- AquaMix - Glass protection system
- Aqua and loading sensor

Design features

- Push button top edge controls
- InfoLight (Red) - Light projection on the floor
- Acoustic end of cycle indicator, Time remaining indicator (min), water inlet indicator
- Time delay (3, 6 or 24 hours)
- AquaStop: Bosch's warranty in case of water damage - for the lifetime of the appliance. Please find warranty terms under <https://www.bosch-home.co.uk/customer-service/care-protection-and-parts/additional-warranties>
- Self-cleaning filter system with 3 piece corrugated filter
- Large item spray head, steam protection plate
- Stainless steel interior
- Dimensions (HxWxD): 81.5 x 59.8 x 55cm

¹ Scale of Energy Efficiency Classes from A to G

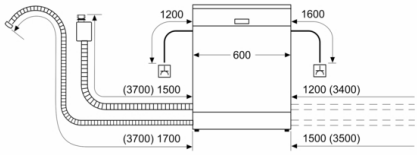
² Energy consumption in kWh per 100 cycles (in programme Eco 50 °C)

³ Water consumption in litres per cycle (in programme Eco 50 °C)

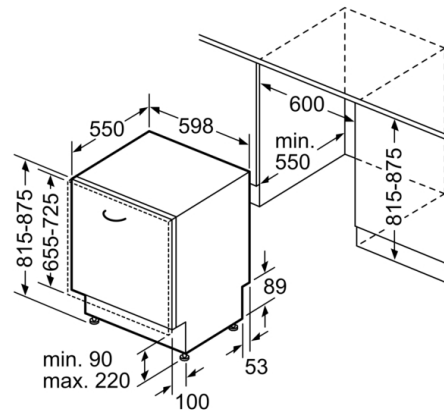
⁴ Duration of programme Eco 50 °C

Serie | 4, Fully-integrated dishwasher, 60 cm SGV4HAX40G

measurements in mm



socket
() values with extension kit



measurements in mm