

**Serie | 2, Fully-integrated dishwasher,
45 cm
SRV2HKX39G**



Dishwasher with an option for extra-thoroughly dry dishes with just one push of a button.

- **ExtraDry:** extra drying option for difficult-to-dry loads.
- **Auto Programmes:** automatically selects the best cleaning performance programme.
- **InfoLight:** a red infolight on the floor indicates whether the dishwasher is switched on or off.
- **EcoSilence Drive:** Energy efficient, quiet running motor.
- **AquaStop:** Bosch's warranty in case of water damage – throughout the lifetime of the appliance.*

Technical Data

Energy Efficiency Class: E
 Energy Consumption for 100 cycles Eco Programme: 70 kWh
 Maximum number of place settings: 9
 The water consumption of the eco programme in liters per cycle: 8.5 l
 Programme duration: 3:40 h
 Airborne acoustical noise emissions : 46 dB(A) re 1 pW
 Airborne acoustical noise emission class: C
 Construction type: Built-in
 Height of removable worktop: 0 mm
 Dimensions of the product (HxWxD): 815 x 448 x 550 mm
 Required niche size for installation (HxWxD): 815-875 x 450 x 550 mm
 Approval certificates: CE, VDE
 Depth with open door 90 degree: 1150 mm
 Adjustable feet: Yes - all from front
 Maximum adjustability feet: 60 mm
 Adjustable plinth: both horizontal and vertical
 Net weight: 27.495 kg
 Gross weight: 29.2 kg
 Connection rating: 2400 W
 Fuse protection: 10 A
 Voltage: 220-240 V
 Frequency: 50; 60 Hz
 Length of electrical supply cord: 175 cm
 Plug type: GB plug
 Length inlet hose: 165 cm
 Length outlet hose: 205 cm
 EAN code: 4242005322398
 Installation type: Full-integrated

Optional accessories

SGZ1010 : inlet and outlet hose extention
 SMZ5006 : decorative strips 81cm st.steel



Serie | 2, Fully-integrated dishwasher, 45 cm SRV2HKX39G

Dishwasher with an option for extra-thoroughly dry dishes with just one push of a button.

New for 2021

Performance

- Energy Efficiency Class¹: E
- Energy² / Water³: 70 kWh / 8.5 litres
- Capacity: 9 place settings
- Programme duration⁴: 3:40 (h:min)
- Noise level: 46 dB(A) re 1 pW
- Noise Efficiency Class: C

Programmes / functions

- 4 programmes: Eco 50 °C, Auto 45-65 °C, Intensive 70 °C, Express 65°
- 2 special options: Extra Dry, SpeedPerfect+
- Machine Care Programme

Flexible design elements

- Height adjustable top basket when empty
- Variable cutlery basket in bottom basket
- Low friction wheels on bottom basket
- Rack Stopper to prevent derailing of bottom basket
- 2 foldable plate racks in bottom basket
- Knife rack in top basket
- Upper rack cup shelf

Innovations and technology

- Heat exchanger.
- DosageAssist detergent dispenser
- EcoSilence BLDC drive
- Automatic detergent detection
- AquaMix - Glass protection system
- Aqua and loading sensor

Design features

- Push button top edge controls
- InfoLight (Red) - Light projection on the floor
- Acoustic end of cycle indicator
- Time delay (3, 6 or 9 hours)
- DuoPower spray arm in upper basket
- AquaStop: Bosch's warranty in case of water damage - for the lifetime of the appliance. Please find warranty terms

under <https://www.bosch-home.co.uk/customer-service/care-protection-and-parts/additional-warranties>

- Self-cleaning filter system with 3 piece corrugated filter
- Large item spray head, steam protection plate
- Stainless steel interior
- Dimensions (HxWxD): 81.5 x 44.8 x 55cm

¹ Scale of Energy Efficiency Classes from A to G

² Energy consumption in kWh per 100 cycles (in programme Eco 50 °C)

³ Water consumption in litres per cycle (in programme Eco 50 °C)

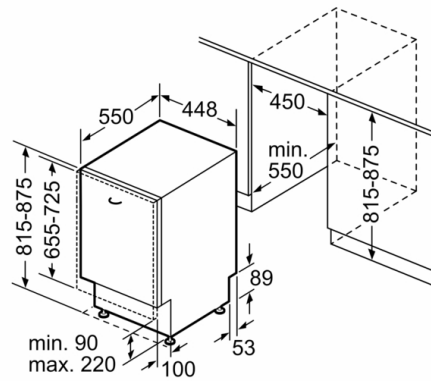
⁴ Duration of programme Eco 50 °C

Serie | 2, Fully-integrated dishwasher, 45 cm SRV2HKX39G

measurements in mm



socket
() values with extension kit



measurements in mm