

**Series 6, Built-in washing machine, 8 kg, 1400 rpm WIW28302GB**



**Washing machine with EcoSilence Drive: enjoy very quiet operation and excellent durability.**

- **Speed Perfect:** get the perfect clean in up to 65% less time.
- **ActiveWater Plus:** For highly efficient use of water even with smaller loads thanks to automatic load detection.
- **EcoSilence Drive™:** quiet and energy-efficient drive, with a 10-year warranty.
- **AllergyPlus:** developed for allergy sufferers and people with sensitive skin.
- **VarioDrum:** gentle washing thanks to a unique drum structure.

**Technical Data**

|   |                    |
|---|--------------------|
| Energy Efficiency Class: .....  | C                  |
| Weighted energy consumption in kWh per 100 washing cycles of eco 40-60 programme: ..... | 62 kWh             |
| Maximum capacity in kg: .....   | 8.0 kg             |
| The water consumption of the eco programme in liters per cycle: .....                   | 45 l               |
| Duration of eco 40-60 programme in hours and mins at rated capacity: .....              | 3:26 h             |
| Spin-drying efficiency class of eco 40-60 programme: .....                              | B                  |
| Airborne acoustical noise emission class: .....   | A                  |
| Airborne acoustical noise emissions : .....   | 66 dB(A) re 1 pW   |
| Built-in / Free-standing: .....   | Built-in           |
| Dimensions of the product: .....  | 818 x 596 x 544 mm |
| Net weight: .....   | 76.3 kg            |
| Connection rating: .....  | 2300 W             |
| Fuse protection: .....  | 10 A               |
| Voltage: .....  | 220-240 V          |
| Frequency: .....  | 50 Hz              |
| Length electrical supply cord: .....  | 210.0 cm           |
| Door hinge: .....   | Left               |
| Wheels: .....   | No                 |
| EAN code: .....   | 4242005348343      |
| Installation typology: .....  | Integrated         |

**Optional accessories**

- WMZ2200 Floor securing component
- WMZ2381 Extension for cold water inlet /Aquastop
- WMZ30400 Height-adjustable feet



## **Series 6, Built-in washing machine, 8 kg, 1400 rpm WIW28302GB**

\*\* Values are rounded.

\* Please find warranty terms under the additional warranties section of our website.

### **Washing machine with EcoSilence Drive: enjoy very quiet operation and excellent durability.**

#### **Performance**

- Energy Efficiency Class<sup>1</sup>: C
- Energy<sup>2</sup> / Water<sup>3</sup>: 62 kWh / 45 litres
- Load capacity: 1 - 8 kg
- Programme duration<sup>4</sup>: 3:26 h:min
- Spin drying efficiency class: B
- Spin speed<sup>\*\*</sup>: 400 - 1400 rpm
- Noise level: 66 dB (A) re 1 pW
- Noise efficiency class: A
- Fully integrated

#### **Programmes/functions**

##### **Key features**

- Touch control buttons: Ready in, SpeedPerfect, start/pause with reload function, Spin speed reduction

##### **Additional features**

- Reload function: Flexibility to add or remove laundry items of any size even after start of the wash cycle.
- Large display for programme progress indication, spin speed, remaining time, 24 hour end time delay and load recommendation.
- EcoSilence drive with 10 year warranty
- EcoSilence drive with 10 year warranty
- AquaStop: Bosch home appliance with lifetime warranty against water damage\*
- Continuous automatic load adjustment system
- Foam detection system
- Safeguard monitoring system adjusts load distribution and programme settings to protect clothes
- Noise insulation: bottom cover
- AntiVibration Design - for more stability and quietness
- Detergent dispensing: easy clean
- Divider for Liquid Detergent
- Buzzer to indicate the end of cycle
- Large white door with 130° opening and 30 cm porthole
- Furniture door is reversible
- Metal door catch

##### **Technical Information**

- adjustable base height: 15 cm
- adjustable base depth: 6.5 cm
- Height adjustment with cardanDrive

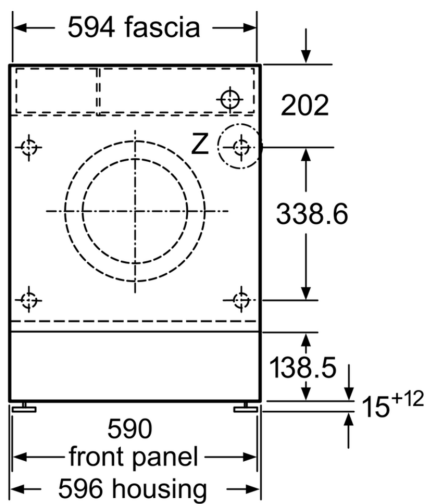
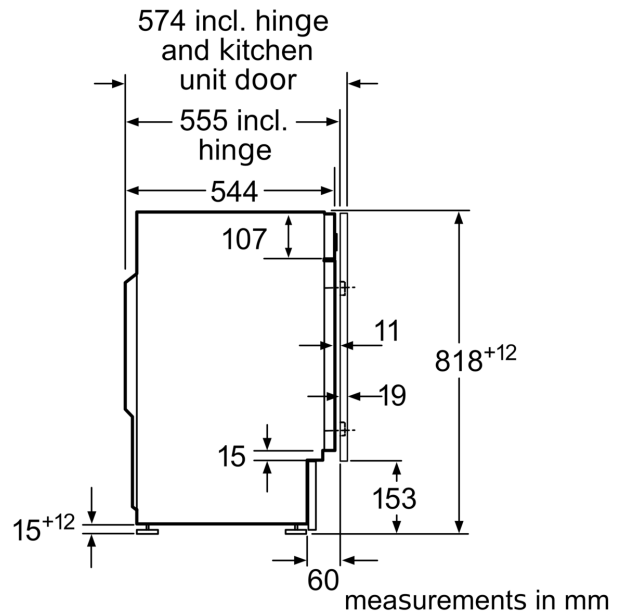
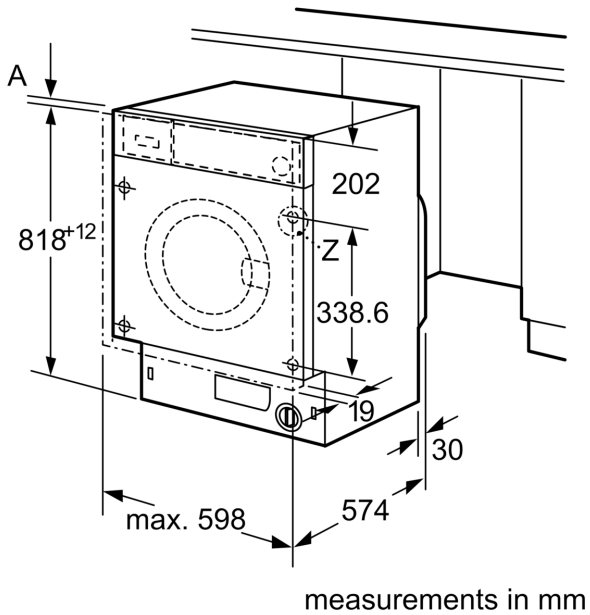
<sup>1</sup> Scale of Energy Efficiency Classes from A to G

<sup>2</sup> Energy consumption in kWh per 100 cycles (in programme Eco 40-60)

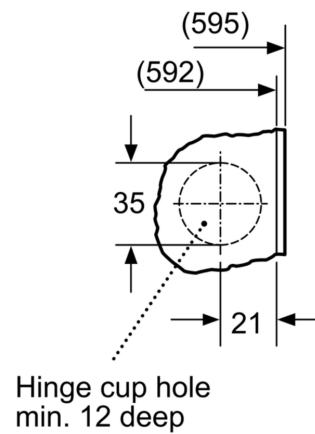
<sup>3</sup> Weighted water consumption in litres per cycle (in programme Eco 40-60)

<sup>4</sup> Duration of Eco 40-60 programme

**Series 6, Built-in washing machine, 8 kg, 1400 rpm  
WIW28302GB**



Z detail



measurements in mm

measurements in mm