

**Serie | 4, Condenser tumble dryer, 7 kg
WTN85201GB**



B

Our condensation dryer offers Crease-resistant drying and is especially gentle to your laundry. Surprisingly quiet at the same time.

- **AutoDry:** gently dries laundry to exactly the degree of dryness you want.
- **Fast drying:** dries a full load considerably fast.
- **Sensitive Drying system:** soft, even drying thanks to the unique drum structure.
- **SensitiveDrying System:** the unique drum structure protects and delivers a drying performance without creases.
- **ComfortDisplay:** easy orientation and usability thanks to a big display.

Technical Data

Construction type : Free-standing
 Removable work top : No
 Door hinge : Right
 Length of electrical supply cord : 145.0 cm
 Height of removable worktop : 842 mm
 Dimensions of the product : 842 x 598 x 599 mm
 Net weight : 41.310 kg
 EAN code : 4242005208029
 Connection rating : 2600 W
 Fuse protection : 13 A
 Voltage : 220-240 V
 Frequency : 50 Hz
 Approval certificates : CE, E17D UKCA marking, VDE
 Capacity cotton - NEW (2010/30/EC) : 7.0 kg
 Energy efficiency rating : B
 Energy consumption electric dryer, full load - NEW (2010/30/EC) : 4.15 kWh
 Standard cotton programme time at full load : 119 min
 Energy consumption electric dryer, partial load - NEW (2010/30/EC) : 2.31 kWh
 Standard cotton programme time at partial load : 73 min
 Weighted annual energy consumption, electric dryer - NEW (2010/30/EC) : 499.0 kWh/annum
 Weighted programme time : 93 min
 Average condensation efficiency full load (%) : 88 %
 Average condensation efficiency partial load (%) : 88 %
 Weighted condensation efficiency (%) : 88 %

Optional accessories

WTZ11400 : Stacking kit with pull-out shelf
 WTZ20410 :



Serie | 4, Condenser tumble dryer, 7 kg WTN85201GB

Our condensation dryer offers Crease-resistant drying and is especially gentle to your laundry. Surprisingly quiet at the same time.

Performance

- Energy Efficiency Class: B at a range of energy efficiency classes from A+++ to D
- Capacity: 7 kg
- Energy consumption 499.0 kWh per year, based on 160 drying cycles of the standard cotton programme at full and partial load, and the consumption of the low-power modes. Actual energy consumption per cycle will depend on how the appliance is used
- Energy consumption of the standard cotton programme at full load 4.15 kWh and energy consumption of the standard cotton programme at half load 2.31 kWh
- Power consumption in off-mode 0.1 W and in left-on mode 0.5 W
- The programme Cotton cupboard dry used at full and partial load is the standard drying programme to which the information in the label and the fiche relates, this programme is suitable for drying normal wet cotton laundry and is the most efficient programme in terms of energy consumption for cotton.
- Weighted programme time of the standard cotton programme at full and partial load: 93 min.
- Programme time of the standard cotton programme at full load 119 min and programme time of the standard cotton programme at partial load 73 min.
- Condensation efficiency class B on a scale from G (least efficient) to A (most efficient).
- Average condensation efficiency of the standard cotton programme at full load 88 % and average condensation efficiency of the standard cotton programme at partial load 88 %.
- Weighted condensation efficiency for the standard cotton programme at full and partial load: 88 %.
- Noise level: 65 dB (A) re 1 pW

Programmes/functions

- Fully electronic control dial for sensor programmes and timed programmes
- Special programmes: Woollens, Mixed Load, Timed programme warm, Timed programme cold, Allergy +, Sportswear, Down, Super Quick 40, Shirts 15
- Touch control buttons: Low heat, Reduced ironing, Drying length, fine-tuning for drying level, 24 h end Time Delay, Reduced ironing, fine-tuning for drying level, Low heat, Drying length, end Time Delay, Start / Reload / Pause

Key features

- Sensitive drying: large stainless steel drum with textile care and revolution drying system
- AntiVibration design: for greater stability and quietness

Additional features

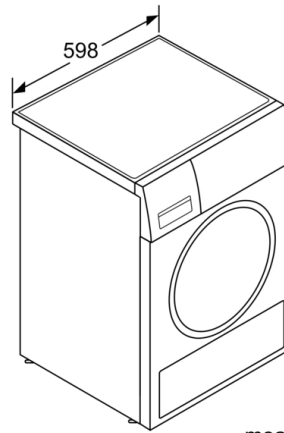
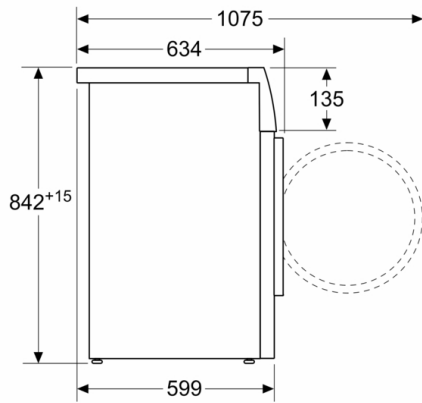
- LED Display for remaining time and 24 hours time delay, programme status indication, special functions
- Anti crease cycle 120 minutes at the end of the programme
- Drum interior light
- Child lock
- Buzzer to indicate the end of cycle
- Door hinge: right-hand
- Container for condensed water
- pull-open latch

Technical Information

- slide-under installation
- Glass door,, grey, white
- Dimensions (H X W X D): 84.2 x 59.8 x 65.2 cm

**Serie | 4, Condenser tumble dryer, 7 kg
WTN85201GB**

measurements in mm



measurements in mm