



**BOSCH**



**Register** your  
new device on  
MyBosch now and  
get free benefits:  
**[bosch-home.com/  
welcome](https://bosch-home.com/welcome)**

# Extractor hood

DHL5.5...

DHL785C..

DHL885C

[en] User manual and installation instructions

# Table of contents

## USER MANUAL

1	<b>Safety</b> .....	2
2	<b>Avoiding material damage</b> .....	4
3	<b>Environmental protection and saving energy</b> .....	4
4	<b>Operating modes</b> .....	5
5	<b>Familiarising yourself with your appliance</b> .....	6
6	<b>Accessories</b> .....	6
7	<b>Basic operation</b> .....	6
8	<b>Cleaning and servicing</b> .....	7
9	<b>Troubleshooting</b> .....	9
10	<b>Disposal</b> .....	10
11	<b>Customer Service</b> .....	10
12	<b>INSTALLATION INSTRUCTIONS</b> .....	10
12.4	<b>Secure installation</b> .....	11

## 1 Safety

Please read the safety information to ensure that you use the appliance safely.

### 1.1 General information

- Read this instruction manual carefully. Only this will ensure you use the appliance safely and efficiently.
- Keep the instruction manual and the product information safe for future reference or for the next owner.
- Check the appliance after unpacking it. Do not connect the appliance if it has been damaged in transit.

### 1.2 Intended use

Read the information on intended use to ensure that you use the appliance correctly and safely.

This appliance is only intended to be fully fitted in a kitchen.

The appliance can only be used safely if it is correctly installed according to the safety instructions. The installer is responsible for ensuring that the appliance works perfectly at its installation location.

Only use this appliance:

- For extracting cooking vapour.
- In private households and in enclosed spaces in a domestic environment.
- Up to an altitude of max. 2000 m above sea level.

Do not use the appliance:

- With an external timer.

### 1.3 Restriction on user group

Avoid risks to children and vulnerable persons.

This appliance may be used by children aged 8 or over and by people who have reduced physical, sensory or mental abilities or inadequate experience and/or knowledge, provided that they are supervised or have been instructed on how to use the appliance safely and have understood the resulting dangers.

Children must not play with the appliance. Children must not perform cleaning or user maintenance unless they are at least 15 years old and are being supervised.

Keep children under the age of 8 years away from the appliance and power cable.

### 1.4 Safe use

#### **WARNING – Risk of suffocation!**

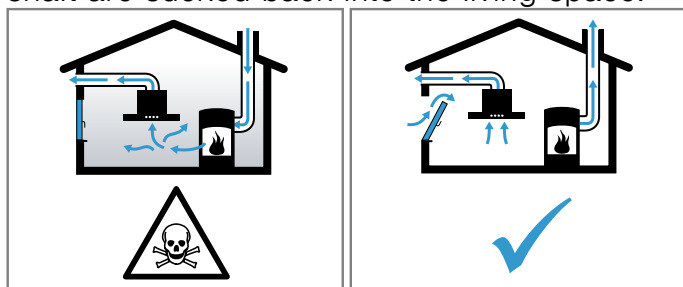
Children may put packaging material over their heads or wrap themselves up in it and suffocate.

- ▶ Keep packaging material away from children.
- ▶ Do not let children play with packaging material.

#### **WARNING – Risk of poisoning!**

Risk of poisoning from flue gases being drawn back in. Room-air-dependent heat-producing appliances (e.g. gas, oil, wood or coal-operated heaters, continuous flow heaters or water heaters) obtain combustion air from the room in which they are installed and discharge the exhaust gases into the open through an exhaust gas system (e.g. a chimney). With the extractor hood switched on, air is extracted from the kitchen and the adjacent rooms. Without an adequate supply of air, the air pressure falls below atmospheric pressure. Toxic gases from the flue or the extraction

shaft are sucked back into the living space.



- ▶ Always ensure adequate fresh air in the room if the appliance is being operated in exhaust air mode at the same time as a room-air-dependent heat-producing appliance is being operated.
- ▶ It is only possible to safely operate the appliance if the pressure in the room in which the heating appliance is installed does not drop more than 4 Pa (0.04 mbar) below atmospheric pressure. This can be achieved whenever the air needed for combustion is able to enter through openings that cannot be sealed, for example in doors, windows, incoming/exhaust air wall boxes or by other technical means. An incoming/exhaust air wall box alone does not ensure compliance with the limit.
- ▶ In any case, consult your responsible chimney sweep. They are able to assess the house's entire ventilation setup and will suggest the suitable ventilation measures to you.
- ▶ Unrestricted operation is possible if the appliance is operated exclusively in circulating-air mode.

### **⚠ WARNING – Risk of fire!**

Fatty deposits in the grease filters may catch fire.

- ▶ Never operate the appliance without a grease filter.
- ▶ Clean the grease filters roughly every 2 months.
- ▶ Never work with naked flames close to the appliance (e.g. flambéing).
- ▶ Do not install the appliance near a solid fuel heating appliance (e.g. wood- or coal-burning) unless the heating appliance has a sealed, non-removable cover. There must be no flying sparks.

Hot oil or grease ignites very quickly.

- ▶ Always supervise hot oil and fat.
- ▶ Never extinguish burning oil or fat with water. Switch off the cooking zone. Extinguish

flames carefully using a lid, fire blanket or something similar.

When gas burners are in operation without any cookware placed on them, they can build up a lot of heat. A ventilation appliance installed above the cooker may become damaged or catch fire.

- ▶ Only operate the gas burners with cookware on them.

Operating multiple gas hobs at the same time generates a great deal of heat. A ventilation appliance installed above the cooker may become damaged or catch fire.

- ▶ Only operate the gas hobs with cookware on them.
- ▶ Select the highest fan setting.
- ▶ Never operate two gas hobs simultaneously on the highest flame for longer than 15 minutes. Two gas hobs correspond to one large burner.
- ▶ Never operate large burners of more than 5 kW with the highest flame for longer than 15 minutes, e.g. a wok.

### **⚠ WARNING – Risk of burns!**

The accessible parts of the appliance become hot during operation.

- ▶ Never touch these hot parts.
- ▶ Keep children at a safe distance.

The appliance becomes hot during operation.

- ▶ Allow the appliance to cool down before cleaning.

### **⚠ WARNING – Risk of injury!**

Components inside the appliance may have sharp edges.

- ▶ Carefully clean the appliance interior. Items placed on the appliance may fall off.
- ▶ Do not place any objects on the appliance. Changes to the electrical or mechanical assembly are dangerous and may lead to malfunctions.

- ▶ Do not make any changes to the electrical or mechanical assembly.

The filter cover may swing out.

- ▶ Open the filter cover slowly.
- ▶ Take hold of the filter cover after opening until it no longer swings out.
- ▶ Close the filter cover slowly.

The light emitted by LED lights is very dazzling, and can damage the eyes (risk group 1).

- ▶ Do not look directly into the switched-on LED lights for longer than 100 seconds.

### **⚠ WARNING – Risk of electric shock!**

If the appliance or the power cord is damaged, this is dangerous.

- ▶ Never operate a damaged appliance.
- ▶ Call Customer Service. → *Page 10*
- ▶ Repairs to the appliance should only be carried out by trained specialist staff.

Incorrect repairs are dangerous.

- ▶ Repairs to the appliance should only be carried out by trained specialist staff.
- ▶ Only use genuine spare parts when repairing the appliance.

- ▶ If the power cord of this appliance is damaged, it must be replaced by trained specialist staff.

An ingress of moisture can cause an electric shock.

- ▶ Before cleaning, pull out the mains plug or switch off the fuse in the fuse box.
- ▶ Do not use steam- or high-pressure cleaners to clean the appliance.

### **⚠ WARNING – Risk of explosion!**

Highly caustic alkaline or highly acidic cleaning agents in conjunction with aluminium parts in the interior of the appliance may cause explosions.

- ▶ Never use highly caustic alkaline or highly acidic cleaning agents. In particular, do not use commercial or industrial cleaning agents in conjunction with aluminium parts, e.g. grease filter on extractor hoods.

---

## 2 Avoiding material damage

### **ATTENTION!**

Condensate may cause corrosion damage.

- ▶ To prevent condensation from building up, switch on the appliance during cooking.

If moisture gets into the controls, this may result in damage.

- ▶ Never clean controls with a wet cloth.

Incorrect cleaning damages the surfaces.

- ▶ Follow the cleaning instructions.
- ▶ Do not use harsh or abrasive detergents.
- ▶ Clean stainless steel surfaces in the direction of the finish only.
- ▶ Never clean controls with stainless steel cleaners.

Condensation that flows back in may damage the appliance.

- ▶ The air extraction duct must be installed with a gradient of at least 1° from the appliance.

If you put incorrect stress on the design elements, they may break off.

- ▶ Do not pull design elements.
- ▶ Do not place objects on the design elements or hang objects from them.

There is a risk of surface damage if you do not peel off the protective film.

- ▶ Remove the protective film from all parts of the appliance before using for the first time.

---

## 3 Environmental protection and saving energy

### 3.1 Disposing of packaging

The packaging materials are environmentally compatible and can be recycled.

- ▶ Sort the individual components by type and dispose of them separately.

### 3.2 Saving energy

If you follow these instructions, your appliance will use less power.

Ensure that there is sufficient ventilation when cooking.

- The appliance works more efficiently and with fewer operating noises.

Adjust the fan speed to the amount of steam produced during cooking.

- The lower the fan speed, the less energy is consumed.  
Only use intensive mode when required.

If cooking produces large amounts of steam, select a higher fan speed in good time.

- The odours are distributed around the room less.

Switch the appliance off when you are not using it.

- The appliance does not consume any energy.

Switch off the lighting if you no longer require it.

- The lighting does not consume any energy.

Clean or replace the filters at regular intervals.

- The effectiveness of the filter is retained.

Put the cooking lid on.

- The cooking vapours and condensation are reduced.

## 4 Operating modes

You can use your appliance in air extraction mode or circulating-air mode.

### 4.1 Air extraction mode

The air which is drawn in is cleaned by the grease filters and conveyed to the exterior by a pipe system.



The air must not be discharged into a flue that is used for exhausting fumes from appliances burning gas or other fuels (not applicable to appliances that only discharge the air back into the room).

- If the exhaust air is to be conveyed into a non-functioning smoke or exhaust gas flue, you must obtain the consent of the heating engineer responsible.
- If the exhaust air is conveyed through the external wall, a telescopic duct should be used.

### 4.2 Air recirculation mode

The air which is drawn in is cleaned by the grease filters and an odour filter, and conveyed back into the room.

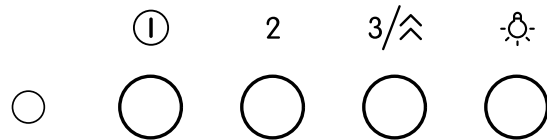


To bind odours in circulating-air mode, you must install an odour filter. The different options for operating the appliance in circulating-air mode can be found in our catalogue. Alternatively, ask your dealer. The required accessories are available from specialist retailers, from customer service or from the Online Shop.

## 5 Familiarising yourself with your appliance

### 5.1 Controls

The controls are used to configure all functions of your appliance and to obtain information about the operating status.



①	Switch off the appliance or switch on fan setting 1
2	Switches fan setting 2 on.
3/∧	Switch on fan level 3 or intensive mode.
💡	Switch the lighting on or off.

## 6 Accessories

You can buy accessories from the after-sales service, from specialist retailers or online. Only use original accessories, as these have been specifically designed for your appliance.

Accessories vary from one appliance to another. When purchasing accessories, always quote the exact product number (E no.) of your appliance. → *Page 10*  
You can find out which accessories are available for your appliance in our catalogue, in the online shop or from our after-sales service.  
[www.bosch-home.com](http://www.bosch-home.com)

Accessories	Order number
Standard odor filter	DHZ5316
Standard recirculation kit	DHZ5605
Clean Air Plus air recirculation set	DWZ1IX1C6
Clean Air Plus odor filter (replacement)	DWZ1IX1B6
LongLife air recirculation set	DWZ1IT1D1
Long Life odour filter (replacement)	DWZ0IT0P0

## 7 Basic operation

### 7.1 Switching on the appliance

- ▶ Press ①.
- ✓ The appliance starts at fan setting 1.

### 7.2 Setting a fan level

- ▶ Press ①, 2 or 3/∧.

#### Note:

The LED indicates which fan level is currently set:

- Fan level 1: LED lights up green.
- Fan level 2: LED lights up orange.
- Fan level 3: LED lights up red.

### 7.3 Switching off the appliance

- ▶ Press ①.

**Note:** If the fan is running at level 2 or 3, press ① twice.

### 7.4 Switching on intensive mode

If particularly strong odours or vapours develop, you can use intensive mode.

- ▶ Press and hold 3/∧.
- ✓ The LED flashes red.
- ✓ After approx. six minutes, the appliance automatically switches to a lower fan setting.

**Note:** You can switch on the intensive mode directly in off-mode. Once the six minutes has elapsed, the appliance is switched off again.

### 7.5 Switching on the lighting

The lighting can be switched on and off independently of the ventilation system.

- ▶ Press 💡.

### 7.6 Switching off the lighting

- ▶ Press 💡.

## 8 Cleaning and servicing

To keep your appliance working efficiently for a long time, it is important to clean and maintain it carefully.

### 8.1 Cleaning products

You can obtain suitable cleaning products from after-sales service or the online shop.

#### **ATTENTION!**

Unsuitable cleaning products may damage the surfaces of the appliance.

- ▶ Do not use harsh or abrasive detergents.
- ▶ Do not use cleaning products with a high alcohol content.
- ▶ Do not use hard scouring pads or cleaning sponges.
- ▶ Do not use any special cleaners for cleaning the appliance while it is hot.
- ▶ Only use glass cleaners, glass scrapers or stainless steel care products if recommended in the cleaning instructions for the relevant part.
- ▶ Wash sponge cloths thoroughly before use.

### 8.2 Cleaning the appliance

Clean the appliance as specified. This will ensure that the different parts and surfaces of the appliance are not damaged by incorrect cleaning or unsuitable cleaning products.

#### **⚠ WARNING – Risk of explosion!**

Highly caustic alkaline or highly acidic cleaning agents in conjunction with aluminium parts in the interior of the appliance may cause explosions.

- ▶ Never use highly caustic alkaline or highly acidic cleaning agents. In particular, do not use commercial or industrial cleaning agents in conjunction with aluminium parts, e.g. grease filter on extractor hoods.

#### **⚠ WARNING – Risk of electric shock!**

An ingress of moisture can cause an electric shock.

- ▶ Before cleaning, pull out the mains plug or switch off the fuse in the fuse box.
- ▶ Do not use steam- or high-pressure cleaners to clean the appliance.

#### **⚠ WARNING – Risk of burns!**

The appliance becomes hot during operation.

- ▶ Allow the appliance to cool down before cleaning.

#### **⚠ WARNING – Risk of injury!**

Components inside the appliance may have sharp edges.

- ▶ Carefully clean the appliance interior.

1. Observe the information regarding the cleaning agents.
2. Clean as follows, depending on the surface:
  - Clean stainless steel surfaces in the direction of the finish using a sponge cloth and hot soapy water.
  - Clean painted surfaces using a damp sponge cloth and hot soapy water.

- Clean aluminium using a soft cloth and glass cleaner.
  - Clean plastic using a soft cloth and glass cleaner.
  - Clean glass using a soft cloth and glass cleaner.
3. Dry with a soft cloth.
  4. Apply a thin layer of the stainless steel cleaning product to stainless steel surfaces using a soft cloth.

You can obtain stainless steel cleaning products from the after-sales service or the online shop.

### 8.3 Cleaning controls

#### **⚠ WARNING – Risk of electric shock!**

Penetrating moisture may cause an electric shock.

- ▶ Do not use wet sponge cloths.
1. Observe the information regarding the cleaning agents.
  2. Clean using a damp sponge cloth and hot soapy water.
  3. Dry with a soft cloth.

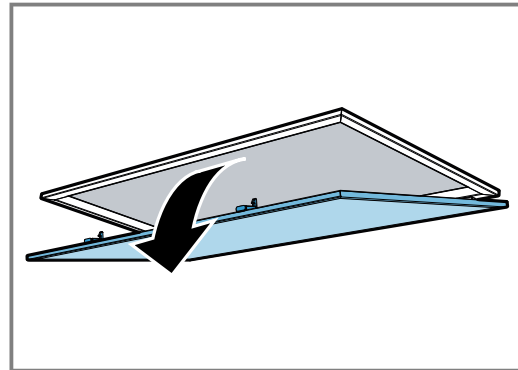
### 8.4 Removing the grease filter

#### **⚠ WARNING – Risk of injury!**

The filter cover may swing out.

- ▶ Open the filter cover slowly.
- ▶ Take hold of the filter cover after opening until it no longer swings out.
- ▶ Close the filter cover slowly.

1. Open the filter cover by pulling it downwards.

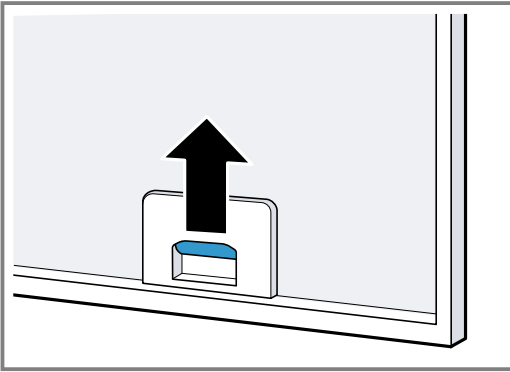


## 2. ATTENTION!

Falling grease filters may damage the hob below.

- ▶ Grip below the grease filter with one hand.

Open the locks on the grease filters.



## 3. Remove the grease filters from the holders.

To prevent grease from dripping, hold the grease filter horizontally.

## 8.5 Cleaning grease filters manually

The grease filters filter the grease from the cooking vapour. Regularly cleaned grease filters guarantee a high level of grease removal.

### ⚠ WARNING – Risk of fire!

Fatty deposits in the grease filters may catch fire.

**Requirement:** The grease filters have been removed.

1. Observe the information regarding the cleaning agents.
2. Soak the grease filter in hot soapy water.  
Use special grease solvent for stubborn dirt. You can obtain grease solvents from after-sales service or the online shop.
3. Use a brush to clean the grease filters.
4. Rinse the grease filters thoroughly.
5. Allow the grease filters to drain.

## 8.6 Cleaning grease filters in the dishwasher

The grease filters filter the grease from the cooking vapour. Regularly cleaned grease filters guarantee a high level of grease removal.

### ⚠ WARNING – Risk of fire!

Fatty deposits in the grease filters may catch fire.

### ATTENTION!

The grease filters may become damaged if they are squeezed.

- ▶ Do not squeeze the grease filters.

**Note:** When cleaning the grease filter in the dishwasher, light discolouration may occur. This discolouration has no effect on the performance of the metal grease filters.

**Requirement:** The grease filters have been removed.

1. Observe the information regarding the cleaning agents.
2. Place the grease filters loosely into the dishwasher.  
Do not clean heavily soiled grease filters with utensils.

Use special grease solvent for stubborn dirt. You can obtain grease solvents from after-sales service or the online shop.

## 3. Start the dishwasher.

Select a temperature of no more than 70 °C.

## 4. Allow the grease filters to drain.

## 8.7 Fitting grease filters

### ATTENTION!

Falling grease filters may damage the hob below.

- ▶ Grip below the grease filter with one hand.

1. Fit the grease filters.
2. Fold the grease filters upwards and engage the locks.
3. Make sure that the locks engage.
4. Close the filter cover.

## 8.8 Odour filter for recirculating air mode

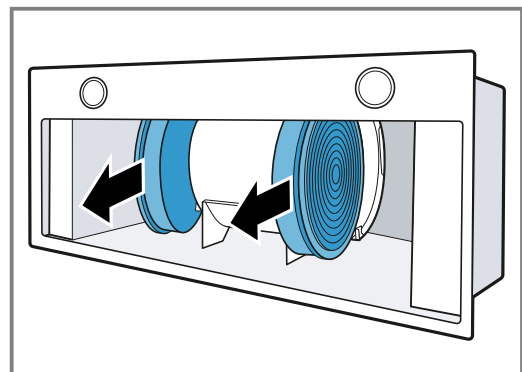
Odour filters bind odorous substances in air recirculation mode. Regularly replaced odour filters guarantee a high level of odour removal.

With normal use (approx. one hour a day), the odour filter must be replaced every 4 months. The odour filter cannot be cleaned or regenerated.

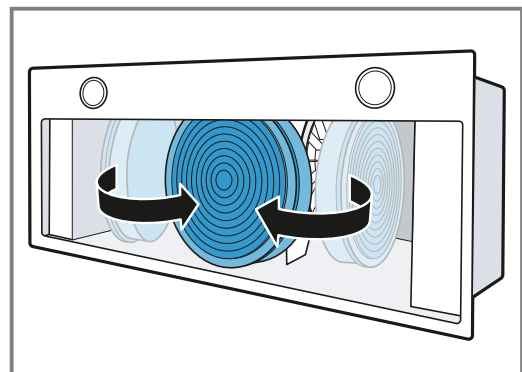
You can obtain odour filters from the after-sales service or the online shop. Only use original odour filters.

### Removing the odour filter

1. Remove the grease filters.
2. Remove the odour filter from the holder.

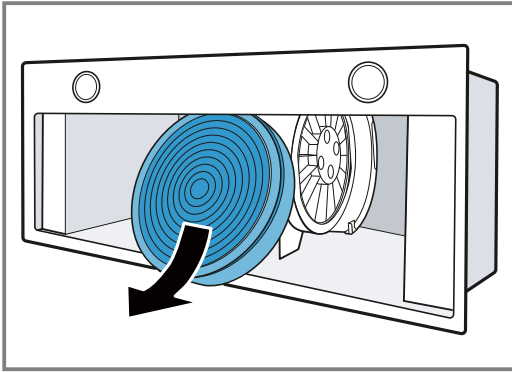


## 3. Guide the odour filter around the motor.



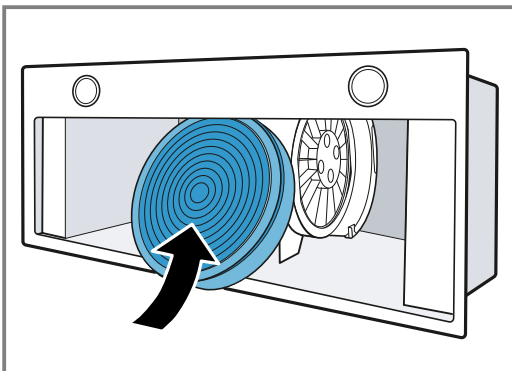


4. Remove the odour filter.

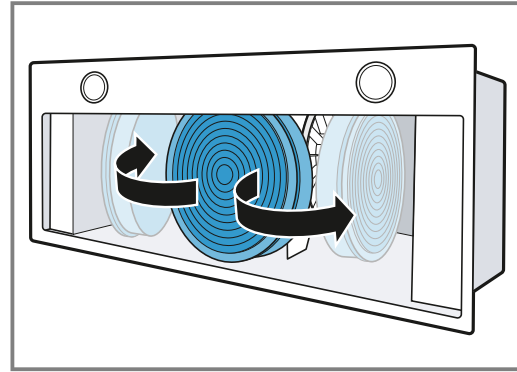


### Fitting the odour filters

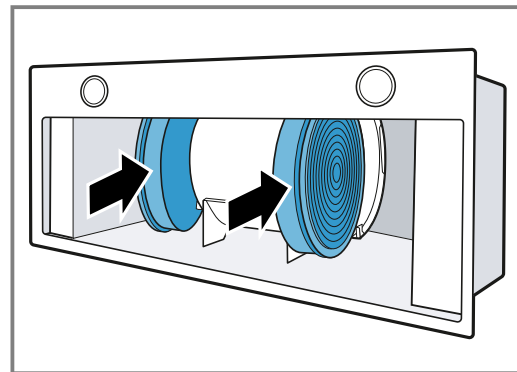
1. Slide the odour filter into the extractor hood.



2. Guide the odour filter around the motor.



3. Carefully slide the odour filter into the holder.



4. Install the grease filters.

## 9 Troubleshooting

You can rectify minor faults on your appliance yourself. Read the troubleshooting information before contacting after-sales service. This will avoid unnecessary costs.

### **⚠ WARNING – Risk of injury!**

Improper repairs are dangerous.

- ▶ Repairs to the appliance should only be carried out by trained specialist staff.
- ▶ If the appliance is defective, call Customer Service.

### **⚠ WARNING – Risk of electric shock!**

Incorrect repairs are dangerous.

- ▶ Repairs to the appliance should only be carried out by trained specialist staff.

- ▶ Only use genuine spare parts when repairing the appliance.
- ▶ If the power cord of this appliance is damaged, it must be replaced by trained specialist staff.

### 9.1 Replacing defective LED lights

- ▶ Defective LED lights may be replaced by the manufacturer, their customer service or a qualified technician (electrician) only.

### 9.2 Malfunctions

Fault	Cause and troubleshooting
The appliance is not working.	The mains plug of the power cord is not plugged in. <ul style="list-style-type: none"> <li>▶ Connect the appliance to the power supply.</li> </ul>
	The circuit breaker is faulty. <ul style="list-style-type: none"> <li>▶ Check the circuit breaker in the fuse box.</li> </ul>
	There has been a power cut. <ul style="list-style-type: none"> <li>▶ Check whether the lighting in your kitchen or other appliances are working.</li> </ul>

Fault	Cause and troubleshooting
The lighting does not work.	The LED lamp is defective. <ul style="list-style-type: none"> <li>▶ Call the after-sales service.</li> <li>▶ Defective LED lights may be replaced by the manufacturer, their customer service or a qualified technician (electrician) only.</li> </ul>

## 10 Disposal

Find out here how to dispose of old appliances correctly.

### 10.1 Disposing of old appliance

Valuable raw materials can be reused by recycling.

- ▶ Dispose of the appliance in an environmentally friendly manner.
- Information about current disposal methods are available from your specialist dealer or local authority.



This appliance is labelled in accordance with European Directive 2012/19/EU concerning used electrical and electronic appliances (waste electrical and electronic equipment - WEEE). The guideline determines the framework for the return and recycling of used appliances as applicable throughout the EU.

## 11 Customer Service

If you have any queries on use, are unable to rectify faults on the appliance yourself or if your appliance needs to be repaired, contact Customer Service. Detailed information on the warranty period and terms of warranty in your country is available from our after-sales service, your retailer or on our website. If you contact Customer Service, you will require the product number (E-Nr.) and the production number (FD) of your appliance. The contact details for Customer Service can be found in the enclosed Customer Service directory or on our website.

### 11.1 Product number (E-Nr.) and production number (FD)

You can find the product number (E-Nr.) and the production number (FD) on the appliance's rating plate. Depending on the model, the rating plate can be found:

- Inside the appliance (remove grease filters for access).
- On top of the appliance.

Make a note of your appliance's details and the Customer Service telephone number to find them again quickly.

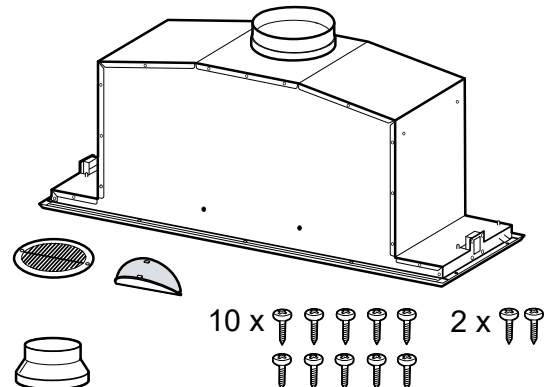
## 12 Installation instructions

Observe this information when installing the appliance.



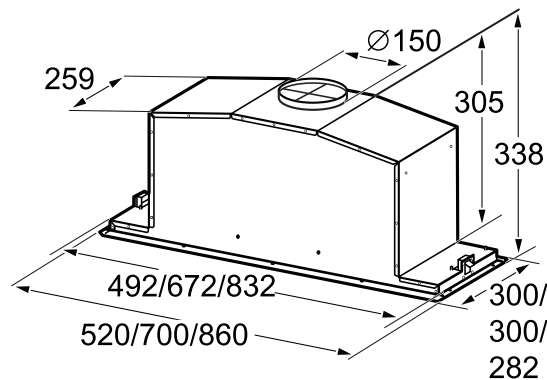
### 12.1 Scope of delivery

After unpacking all parts, check for any damage in transit and completeness of the delivery.



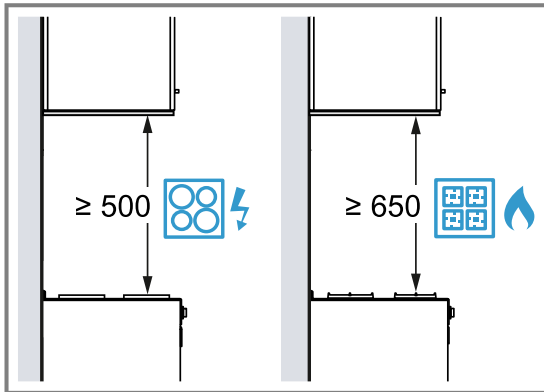
## 12.2 Appliance dimensions

You will find the dimensions of the appliance here



## 12.3 Safety clearances

Comply with the safety clearances for the appliance.



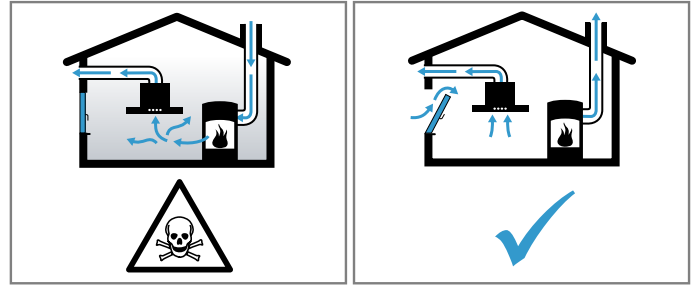
## ⚠ 12.4 Secure installation

Follow these safety instructions when installing the appliance.

### ⚠ WARNING – Risk of poisoning!

Risk of poisoning from flue gases being drawn back in. Room-air-dependent heat-producing appliances (e.g. gas, oil, wood or coal-operated heaters, continuous flow heaters or water heaters) obtain combustion air from the room in which they are installed and discharge the exhaust gases into the open through an exhaust gas system (e.g. a chimney). With the extractor hood switched on, air is extracted from the kitchen and the adjacent rooms. Without an adequate supply of air, the air pressure falls below atmospheric pressure. Toxic gases from the flue or the extraction

shaft are sucked back into the living space.



- ▶ Always ensure adequate fresh air in the room if the appliance is being operated in exhaust air mode at the same time as a room-air-dependent heat-producing appliance is being operated.
- ▶ It is only possible to safely operate the appliance if the pressure in the room in which the heating appliance is installed does not drop more than 4 Pa (0.04 mbar) below atmospheric pressure. This can be achieved whenever the air needed for combustion is able to enter through openings that cannot be sealed, for example in doors, windows, incoming/exhaust air wall boxes or by other technical means. An incoming/exhaust air wall box alone does not ensure compliance with the limit.
- ▶ In any case, consult your responsible chimney sweep. They are able to assess the house's entire ventilation setup and will suggest the suitable ventilation measures to you.
- ▶ Unrestricted operation is possible if the appliance is operated exclusively in circulating-air mode.

### ⚠ WARNING – Risk of suffocation!

Children may put packaging material over their heads or wrap themselves up in it and suffocate.

- ▶ Keep packaging material away from children.
- ▶ Do not let children play with packaging material.

### ⚠ WARNING – Risk of fire!

Grease deposits in the grease filter may catch fire.

- ▶ The specified safety clearances must be complied with in order to prevent a build-up of heat.
- ▶ Observe the specifications for your cooking appliances. If the installation instructions for the cooking appliances specify a different

clearance, the larger of the two must always be provided for. If gas hobs and electric hobs are operated together, the largest specified clearance applies.

- ▶ The appliance must be installed with no more than one side directly next to a high-sided unit or a wall. The distance between the appliance and wall or high-sided unit must be at least 50 mm.

Grease deposits in the grease filter may catch fire.

- ▶ Never work with naked flames close to the appliance (e.g. flambéing).
- ▶ Do not install the appliance near a heat-producing appliance for solid fuel (e.g. wood or coal) unless a closed, non-removable cover is available. There must be no flying sparks.

### **⚠ WARNING – Risk of injury!**

Components inside the appliance may have sharp edges.

- ▶ Wear protective gloves.

The appliance may fall down if it has not been properly fastened in place.

- ▶ All fastening components must be fixed firmly and securely in place.

Changes to the electrical or mechanical assembly are dangerous and may lead to malfunctions.

- ▶ Do not make any changes to the electrical or mechanical assembly.

The filter cover may swing out.

- ▶ Open the filter cover slowly.
- ▶ Take hold of the filter cover after opening until it no longer swings out.
- ▶ Close the filter cover slowly.

### **⚠ WARNING – Risk of electric shock!**

Sharp-edged components inside the appliance may damage the connecting cable.

- ▶ Do not kink or trap the connecting cable.

If the appliance or the power cord is damaged, this is dangerous.

- ▶ Never operate a damaged appliance.
- ▶ Call Customer Service. → *Page 10*

Repairs to the appliance should only be carried out by trained specialist staff.

Incorrect repairs are dangerous.

- ▶ Repairs to the appliance should only be carried out by trained specialist staff.
- ▶ Only use genuine spare parts when repairing the appliance.

- ▶ If the power cord of this appliance is damaged, it must be replaced by trained specialist staff.

Improper installation is dangerous.

- ▶ Connect and operate the appliance only in accordance with the specifications on the rating plate.
- ▶ Connect the appliance to a power supply with alternating current only via a properly installed socket with earthing.
- ▶ The protective conductor system of the domestic electrical installation must be properly installed.
- ▶ Never equip the appliance with an external switching device, e.g. a timer or remote control.
- ▶ When the appliance is installed, the mains plug of the power cord must be freely accessible. If free access is not possible, an all-pole isolating switch must be installed in the permanent electrical installation according to the conditions of Overvoltage Category III and according to the installation regulations.
- ▶ When installing the appliance, check that the power cable is not trapped or damaged.

## **12.5 General information**

Follow these general instructions during the installation.

- For the installation, observe the currently valid building regulations and the regulations of the local electricity and gas suppliers.
- When discharging the exhaust air, the official and legal regulations, such as the regional building code., must be observed.
- The width of the extractor hood must correspond at least with the width of the hob.
- To optimally detect the cooking vapours, install the appliance in the middle of the hob.
- In order to freely access the appliance for servicing, select an easy-to-reach installation site.
- The surfaces of the appliance are sensitive. Avoid damaging them during installation.

## **12.6 Instructions for the electrical connection**

In order to safely connect the appliance to the electrical system, follow these instructions.

### **⚠ WARNING – Risk of electric shock!**

It must always be possible to disconnect the appliance from the electricity supply. The appliance must only be connected to a protective contact socket that has been correctly installed.

- ▶ The mains plug for the mains power cable must be easily accessible after the appliance is installed.

- ▶ If this is not possible, an all-pole isolating switch must be integrated into the permanent electrical installation according to the conditions of overvoltage category III and according to the installation regulations.
- ▶ The permanent electrical installation must only be wired by a professional electrician. We recommend installing a residual-current circuit breaker (RCCB) in the appliance's power supply circuit.

Sharp-edged components inside the appliance may damage the connecting cable.

- ▶ Do not kink or trap the connecting cable.
  - The connection data can be found on the rating plate. → *Page 10*
  - The connecting cable is approx. 1.30 m long.
  - This appliance complies with the EC interference suppression regulations.
  - The appliance corresponds to protection class 1. You should therefore only use the appliance with a protective earth connection.
  - Do not connect the appliance to the power supply during installation.
  - Ensure that the protection against contact is guaranteed during installation.

## 12.7 Information on the installation situation

- Install this appliance in a kitchen cupboard.
- To install additional special accessory parts, observe the enclosed installation instructions.
- The appliance must be installed with no more than one side directly next to a high-sided unit or a wall. The distance between the appliance and wall or high-sided unit must be at least 50 mm.

## 12.8 Instructions for the exhaust air pipe

The appliance manufacturer does not provide any warranty for faults attributable to the pipeline.

- Use a short, straight exhaust air pipe with as large a pipe diameter as possible.
- Long, rough exhaust air pipes, many pipe bends or small pipe diameters reduce the suction power and increase the fan noise.
- Use an exhaust pipe that is made of non-combustible material.
- To prevent condensate from returning, fit the exhaust pipe with a 1° gradient from the appliance.

### Round pipes

Use round pipes with an inner diameter of 150 mm (recommended) or at least 120 mm.

### Flat ducts

Use flat ducts with an inner cross-section that corresponds to the diameter of the round pipes:

- Diameter of 150 mm corresponds to approx. 177 cm<sup>2</sup>.
- Diameter of 120 mm corresponds to approx. 113 cm<sup>2</sup>.
- Use sealing strips for different pipe diameters.
- Do not use any flat ducts with sharp bends.

## 12.9 Instructions for the air extraction mode

For air extraction mode, a one-way flap should be installed.

### Notes

- If a one-way flap is not included with the appliance, one can be ordered from a specialist retailer.
- If the exhaust air is conveyed through the external wall, a telescopic duct should be used.

## 12.10 Information about circulating-air mode

The appliance must only be operated when it is securely installed and the pipework is connected.

## 12.11 Installation

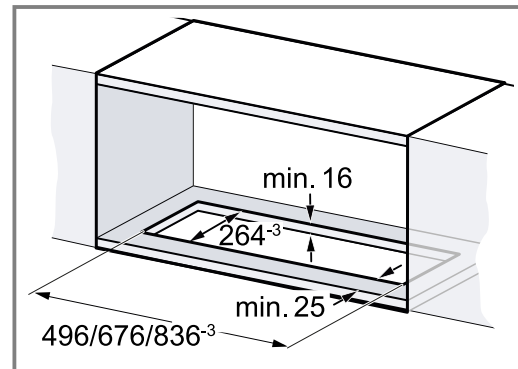
### Checking the unit

1. Check whether the fitted unit is level and has sufficient load-bearing capacity.
  - The max. weight of the appliance is 10 kg.
2. Ensure that the fitted unit is heat-resistant up to 90 °C.
3. Ensure that the fitted unit is still stable after the cut-outs have been made.

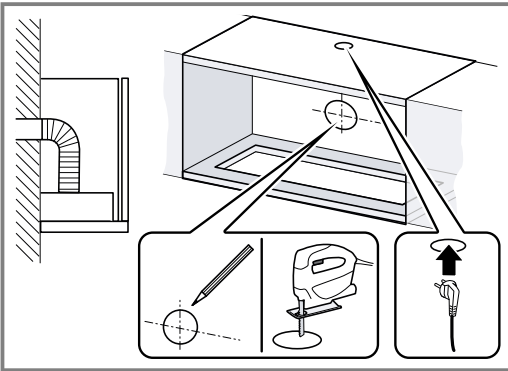
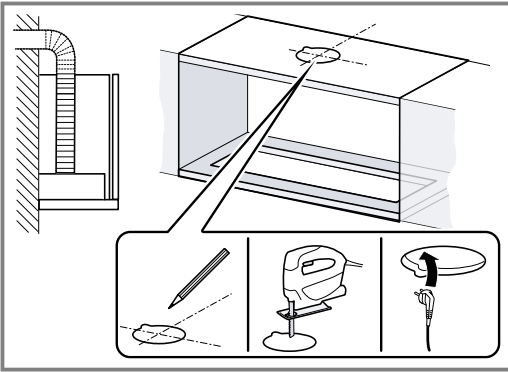
### Preparing the units

**Requirement:** The unit is suitable for the installation.  
→ *"Checking the unit", Page 13*

1. Make the cut-out for the appliance.

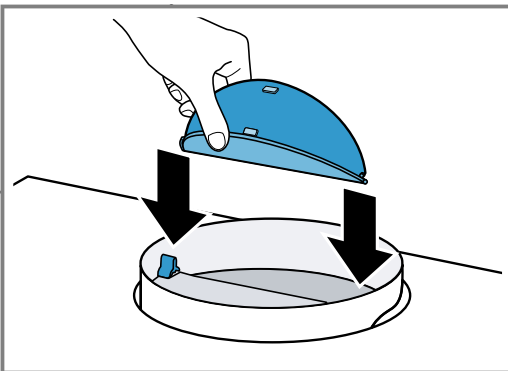


2. Make the cut-out for the exhaust air pipe either above the fitted unit or behind the fitted unit.

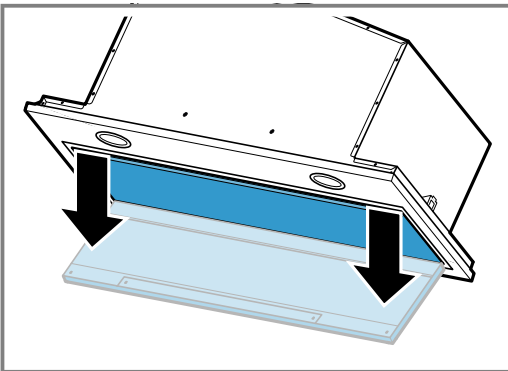


### Preparing the appliance

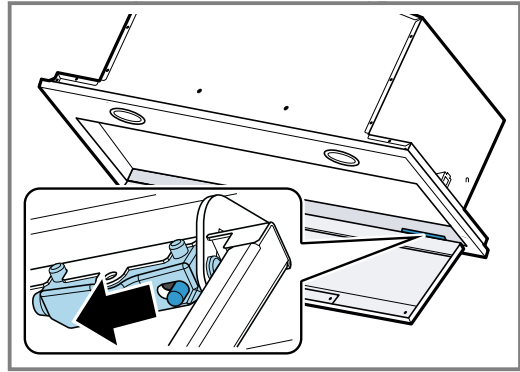
1. Fit the one-way flaps on the air outlet and click them into place.



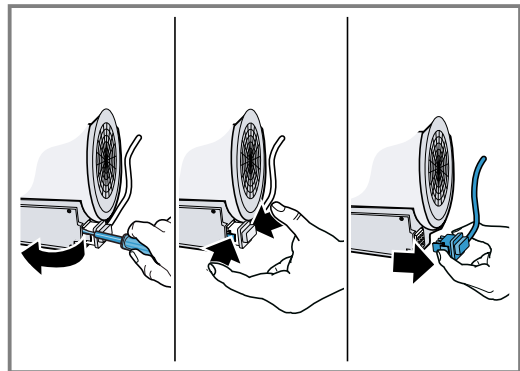
2. Open the filter cover.
  - Grasp the front corners of the filter cover and pull it down in a single, swift motion.



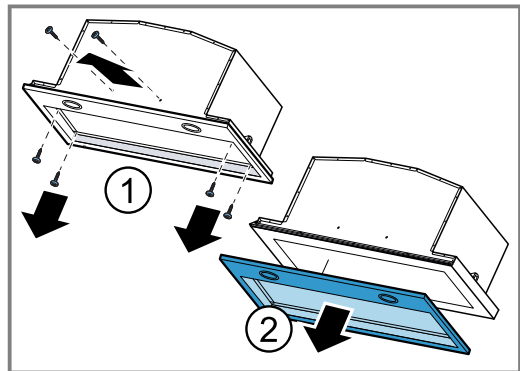
3. Undo the hinge lock and remove the filter cover.



4. Remove the grease filters. To avoid causing damage, do not bend the grease filters.
5. Undo the control panel cabling and cabling for the lighting.

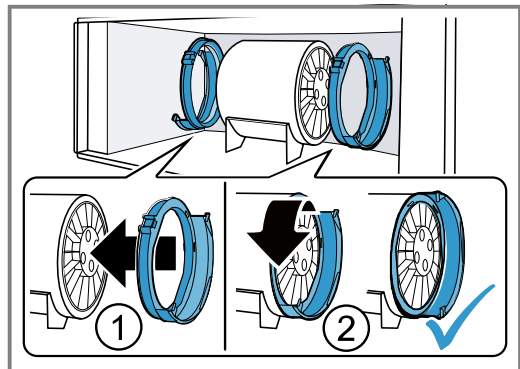


6. Undo the screws in the frame ① and remove the frame ②.



### Preparing circulating-air mode

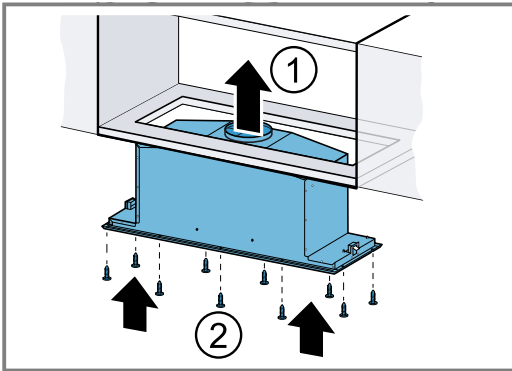
1. Position the filter retainer correctly on the motor ① and turn it to the front until it clicks into place ②.



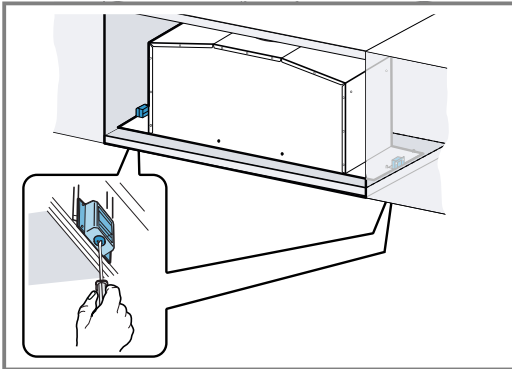
2. Slide the odour filter into the filter retainer.

## Installing the appliance

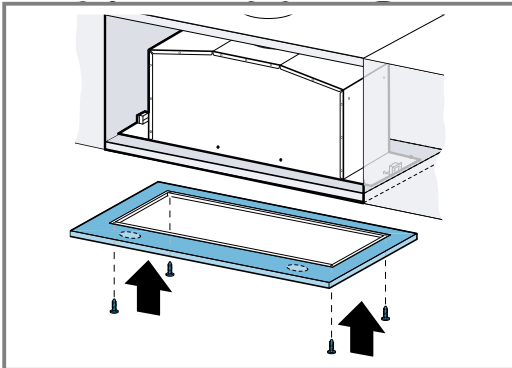
1. Insert the appliance into the opening in the fitted unit ① and screw it to the fitted unit ②.



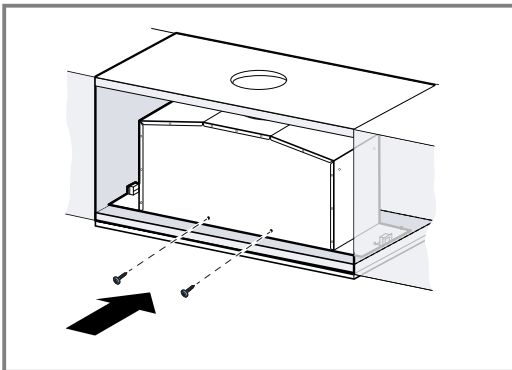
2. Tighten the fastening screws.



3. Attach the frame and screw it to the appliance from below.

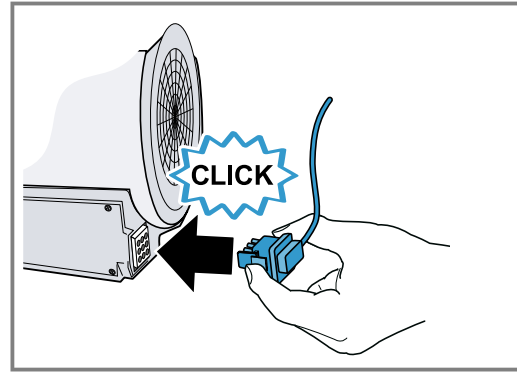


4. Secure the frame and the appliance with screws.



If the screws are not accessible from the exterior, the screws can also be fitted from the interior.

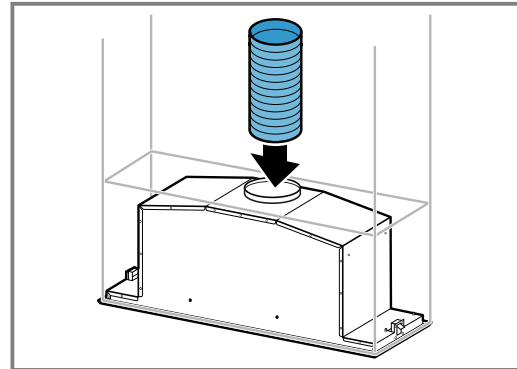
5. Restore the control panel cabling and the cabling for the lighting.



- The plug can only be inserted into one position.
6. Fit the grease filters.  
To avoid causing damage, do not bend the grease filters.
  7. Attach and close the filter cover.

## Establishing the exhaust air connection

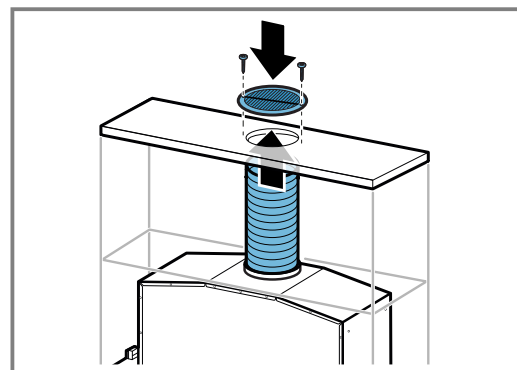
1. Secure the exhaust pipe to the air pipe connector.



2. Establish the connection to the exhaust air opening.
3. Seal the joints.

## Establishing the connection for the circulated air

1. Secure the exhaust pipe to the air pipe connector.
2. Connect the pipe to the opening on the fitted unit.



3. Screw the air guide grille to the fitted unit.
4. Seal the joints.

## Connecting to the power supply

1. Insert the mains plug into the protective contact socket.
2. If a fixed connection is required, follow the instructions in the section → "Instructions for the electrical connection", Page 12.

## Removing the appliance

### **WARNING – Risk of injury!**

Components inside the appliance may have sharp edges.

► Wear protective gloves.

1. Disconnect the appliance from the power supply.
2. Loosen the exhaust pipe.
3. Open the filter cover if required.
4. Remove the grease filters.  
To avoid causing damage, do not bend the grease filters.
5. Remove the frame.
6. Undo the control panel cabling and cabling for the lighting.
7. Loosen the screw connection with the fitted unit.
8. Slowly take the appliance down.









A series of horizontal lines for writing, starting from the top of the page and extending to the bottom. The lines are evenly spaced and cover the majority of the page area.



## Thank you for buying a Bosch Home Appliance!

Register your new device on MyBosch now and profit directly from:

- **Expert tips & tricks for your appliance**
- **Warranty extension options**
- **Discounts for accessories & spare-parts**
- **Digital manual and all appliance data at hand**
- **Easy access to Bosch Home Appliances Service**

Free and easy registration – also on mobile phones:

[www.bosch-home.com/welcome](http://www.bosch-home.com/welcome)

**BOSCH**  
HOME APPLIANCES  
**SERVICE**

## Looking for help? You'll find it here.

Expert advice for your Bosch home appliances, help with problems or a repair from Bosch experts.

Find out everything about the many ways Bosch can support you:

[www.bosch-home.com/service](http://www.bosch-home.com/service)

Contact data of all countries are listed in the attached service directory.

### **Robert Bosch Hausgeräte GmbH**

Carl-Wery-Straße 34  
81739 München  
GERMANY  
[www.bosch-home.com](http://www.bosch-home.com)

Valid within Great Britain:  
Imported to Great Britain by  
BSH Home Appliances Ltd.  
Grand Union House  
Old Wolverton Road  
Wolverton, Milton Keynes  
MK12 5PT  
United Kingdom



**9001603944** (010216)

en