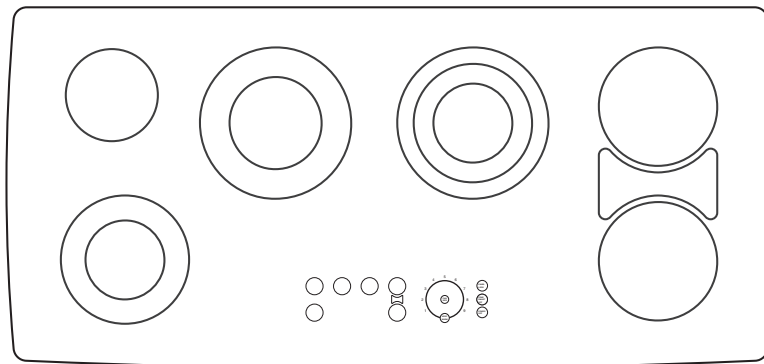
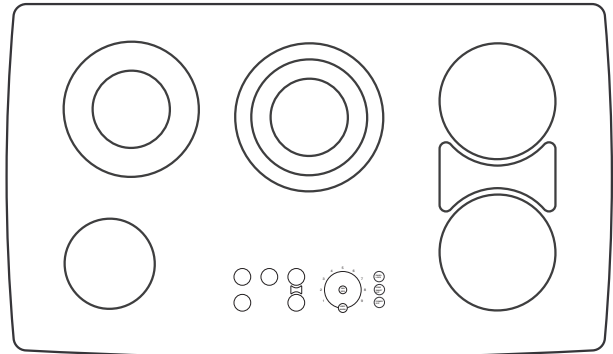
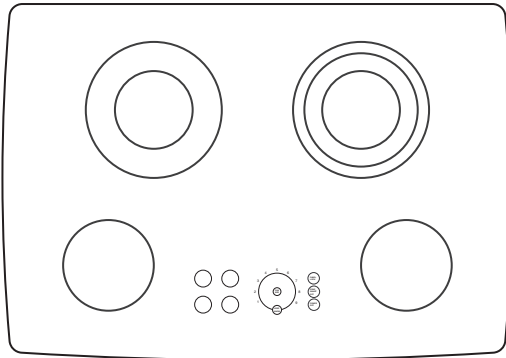


Thermador[®]

Installation Instructions



Thermador Glass Ceramic Cooktops

Models: CET304, CET365, CEP304, CEP365, CEP456

TABLE OF CONTENTS *

***NOTE:** The blocked letters, such as **A**, shown below, refer to illustrations on Pages **2 & 4**. Match these to the related text pages.

Overall Dimensions **A** 2

Power Supply **B** 2

Cabinet Preparation and Clearances **C** 2, 3

Junction Box Location **D** 2

Countertop Cutout Dimensions **E** 2

Installing the Cooktop **F** 4

Secure Cooktop to Countertop **G** 4

Solid Surface Countertop Installs **H** 4

Installation above a Single Oven **I, J, K,** and **L** 4

Electrical Connection 5

IMPORTANT: Save these instructions for Local Electrical Inspector’s use.
INSTALLER: Please leave these Installation Instructions with this unit for the owner.
OWNER: Please retain these instructions for future reference.

READ AND SAVE THESE INSTRUCTIONS

OVERALL DIMENSIONS **A**

See Illustration **A**, Page **2**. These dimensions are overall.

POWER SUPPLY **B**

ELECTRICAL POWER CONNECTION FOR COOKTOP

Power Supply is dual rated: 240 Volts or 208 Volts, 4 wire, 60 Hz, with the following circuit breaker requirements: Models CET304 or CEP304 at 30 Amps; Models CET365 or CEP365 at 40 Amps or Model CEP456 at 50 Amps

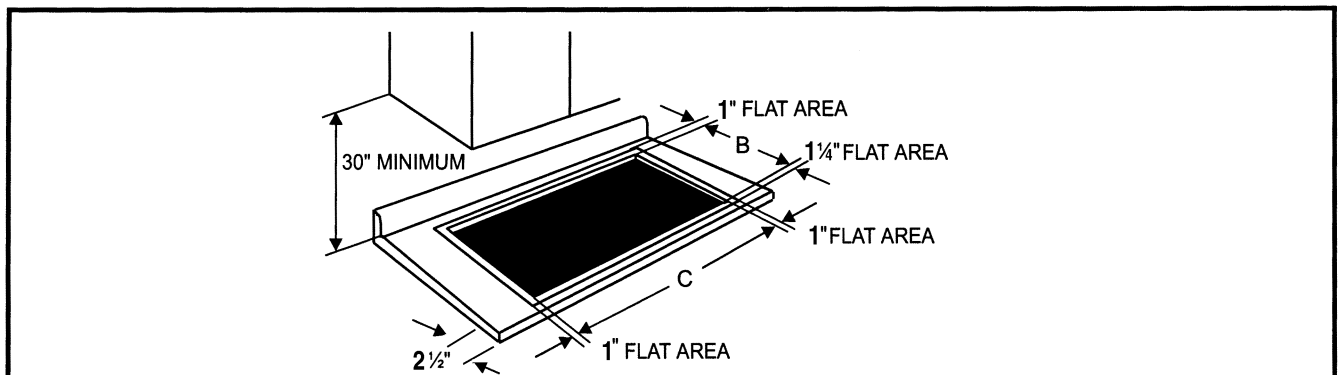
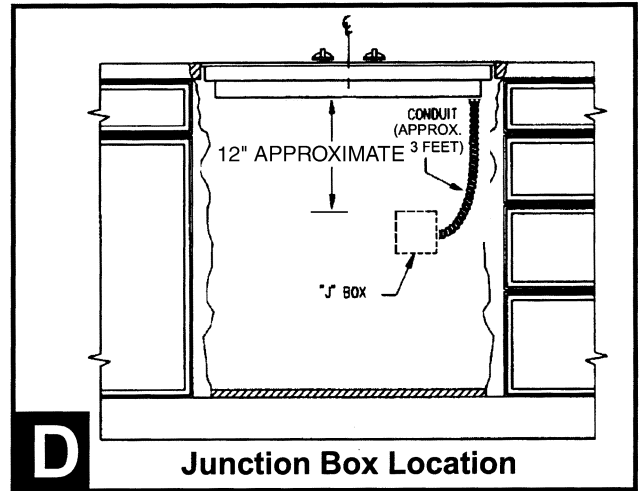
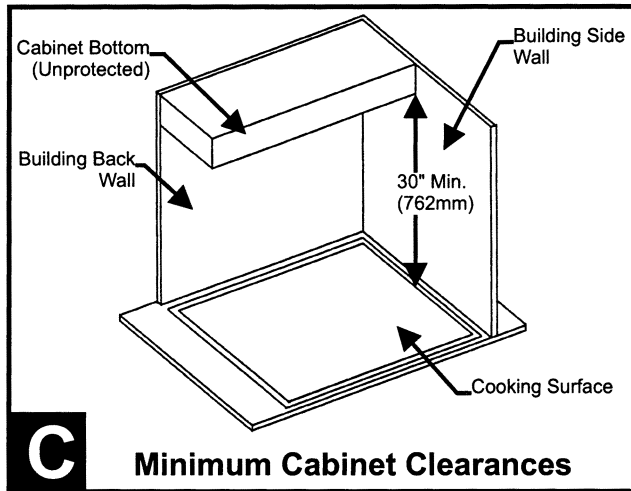
Install a junction box (not supplied), below the counter top within 3 feet of flexible conduit (supplied) located at the right rear corner of the cooktop rough-in box.

JUNCTION BOX LOCATION **D**

Plan the installation of the unit so that the location of the junction box is within 3 feet of the right rear of the cooktop bottom. **It must be accessible from the front of the cabinet.** (An exception to this location would be for a cooktop installation over a single electric oven. In that situation, refer to Pages **4** and **5** and Figures **I, J, K** and **L**.)

Models CET304, CEP304: Width 31"
Models CET365 and CEP365: Width 37"
Model CEP456: Width 46"
All Models: Depth 21-5/8" Height above countertop: 1/4"
A Overall Dimensions

Models CET304 and CEP304 30 Amp circuit breaker
Model CET 365 and CEP365 40 Amp circuit breaker
Model CEP456: 50 Amp circuit breaker
CET and CEP } 240 Volt, 4 Wire, 60 Hz Models } 208 Volt, 4 Wire, 60 Hz
All with 3 feet flexible conduit (supplied)
B Power Supply



MODEL NOS.	DIM.	CUTOUT DIMENSIONS	
		Minimum Inches / (mm)	Maximum* Inches / (mm)
CET304	B	19-7/8" / (505 mm)	20" / (508 mm)
CEP304	C	28-3/4" / (731 mm)	28-7/8" / (734 mm)
CET365	B	19-7/8" / (505 mm)	20" / (508 mm)
CEP365	C	34-3/4" / (883 mm)	34-7/8" / (886 mm)
CEP456	B	19-7/8" / (505 mm)	20" / (508 mm)
	C	43-3/4" / (1111 mm)	43-7/8" / (1114 mm)

E *(For solid surface countertop installations, use maximum cutout dimensions and consult solid surface manufacturer for specific directions.)
Counter Top Cutout Dimensions

CABINET PREPARATION AND CLEARANCES

C

To eliminate the risk of burns or fire by reaching over heated surface units, cabinet storage space located above the surface units should be avoided. If cabinet storage is to be provided, the risk can be reduced by installing a range hood that projects horizontally a minimum of 5 in. (127 mm) beyond the bottom of the cabinets. See **C**, Page 2.

This unit is designed for installation in the counter top with zero clearance to adjacent walls and projecting surfaces constructed of combustible materials. A 30-inch minimum clearance is required between the top of the cooktop and the bottom of an unprotected cabinet. A 24 inch minimum distance is necessary when the bottom of the wood or metal cabinet is protected by not less than 1/4 inch of a flame retardant material covered with not less than No. 28 MSG sheet steel, 0.015 inch (0.4 mm) thick stainless steel, 0.024 inch (0.6 mm) aluminum, or 0.020 inch (0.5 mm) thick copper. Flame retardant materials bear the mark:

UNDERWRITERS LABORATORIES INC.
CLASSIFIED
MINERAL AND FIBER BOARDS
SURFACE BURNING CHARACTERISTICS

Followed by the flame spread and smoke ratings., these designations are shown as “FHC (Flame Spread)/ (Smoke Developed)”. Materials with “O” flame spread ratings are flame retardant. Local codes may allow other flame spread ratings.

The minimum horizontal clearance from the sides and back edge of the cooktop to the adjacent vertical combustible walls is 0 Inches.

COUNTERTOP CUTOUT DIMENSIONS

E

The cutout dimensions depend upon whether the installation is for replacement, new construction, or installation in a solid surface countertop material, such as Surell™, Corian® etc. These materials require larger cutouts, use of heat reflective tape and rounded corners. Drawings **G** and **H** provide some guidelines only (see Page 4). Always consult the countertop manufacturer for specific Installation Instructions.

INSTALLING THE COOKTOP



WARNING:

DISCONNECT POWER BEFORE INSTALLING. BEFORE TURNING POWER “ON”, BE SURE THAT ALL CONTROLS ARE IN “OFF” POSITION.

SEAL WITH FOAM TAPE

F

A foam tape is provided to seal the cooktop edges to the countertop, **F**, (see Page 4). Turn cooktop upside down and apply tape approximately 1/16” from the glass edges to the underside of the cooktop glass. Use tape around the entire glass perimeter cut off excess where tape ends butt.

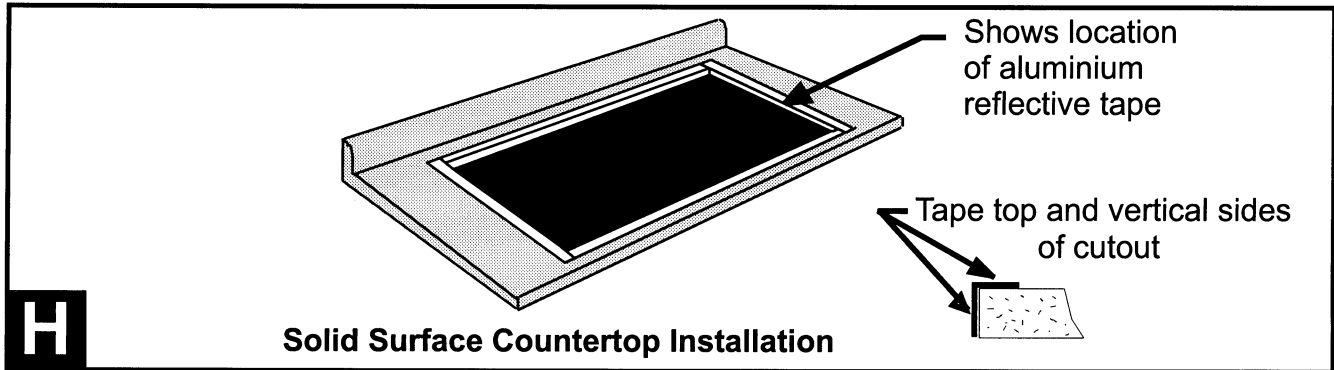
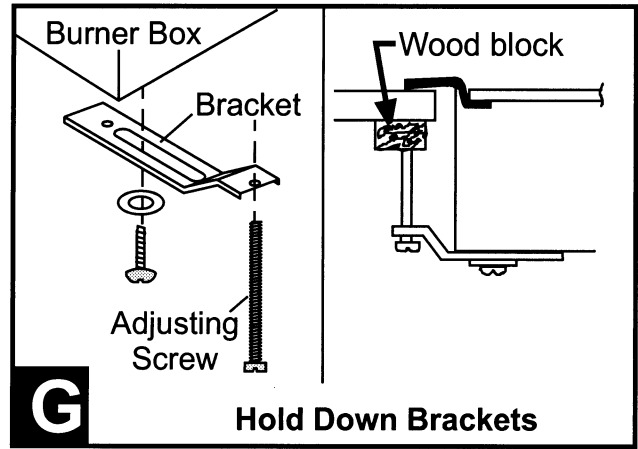
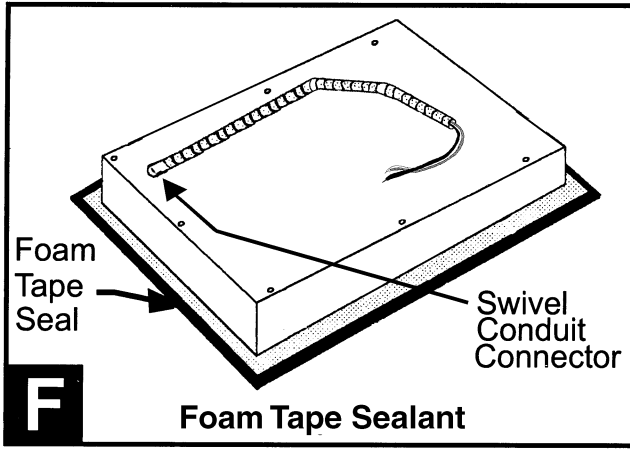
SECURE COOKTOP TO COUNTERTOP

G

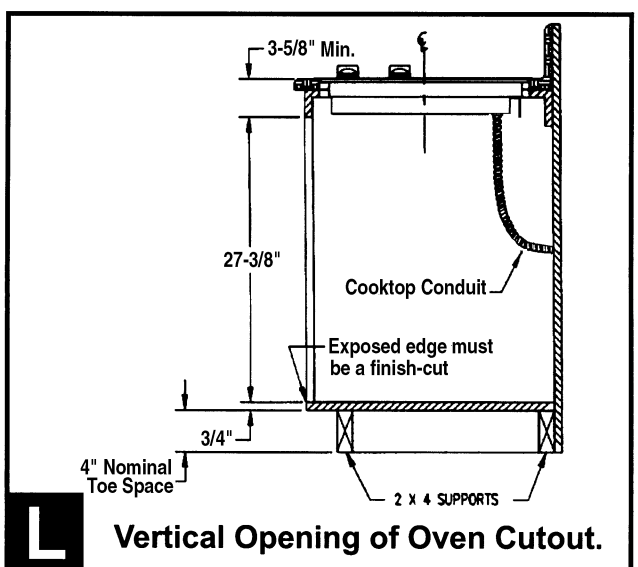
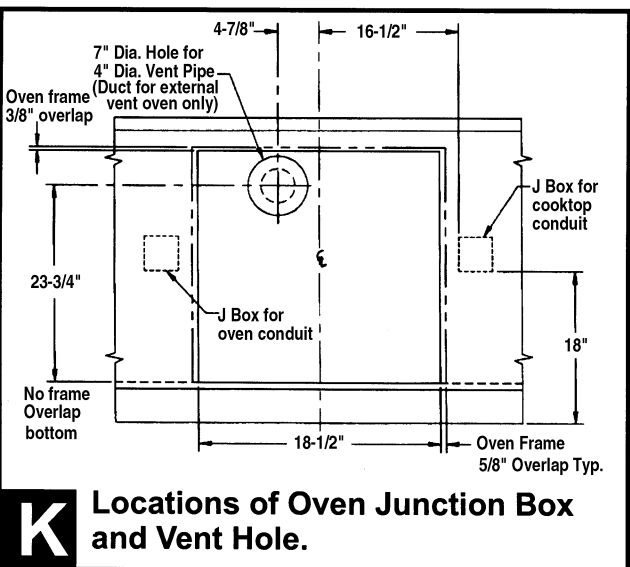
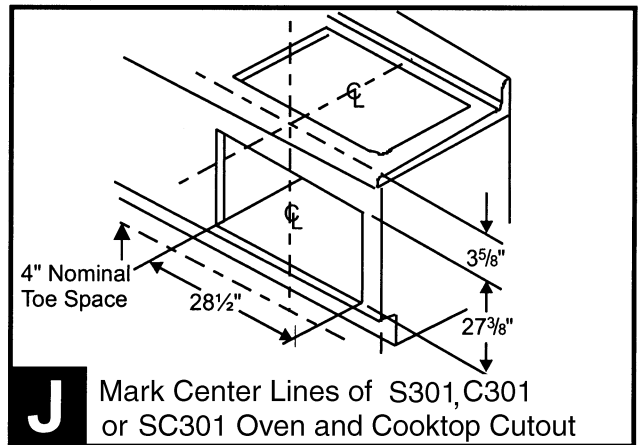
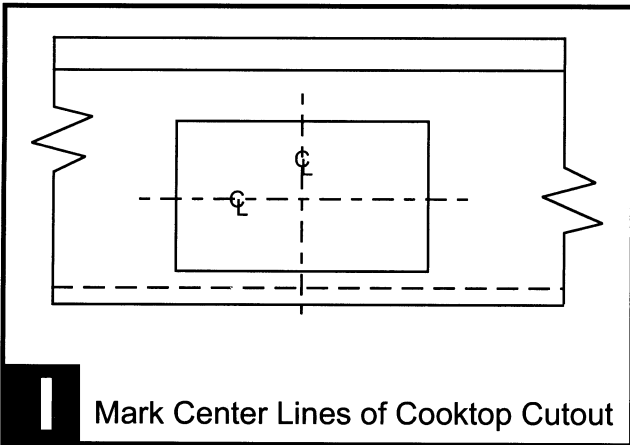
The cooktop should be secured to the countertop using the hold-down brackets provided. Prior to inserting cooktop into cutout, turn cooktop upside down and attach brackets to the burner box using the washers and screws.

Place cooktop into cutout. Insert clamping screw into the bracket and secure cooktop to countertop.

Use a wood block to protect fragile countertop materials.



Optional Cooktop Installation Over Single 30" Electric Oven



SOLID SURFACE COUNTERTOPS **H**

Always consult the countertop manufacturer for specific instructions.

Countertops made from natural (i.e. granite and marble) or SOLID SURFACE MATERIALS, such as Surell™ and Corian®, require special cutout preparation and installation procedures. Follow the guidelines in preparing the cutout dimensions. Refer to Pages 2 and 3.

Install the cooktop as follows:

1. Round the cutout corners according to instructions from the countertop manufacturer.
2. Apply heat reflective tape (such as Scotch Aluminum Foil Tape #425 or #427) around the cutout so that it folds over the top and side surfaces. Be sure the tape extends beyond the outermost flange of the cooktop. All corners should also be covered with tape.
3. Attach brackets to the burner box using washers and screws provided. Use a wooden block underneath the countertop before tightening the bracket screws.
4. Center cooktop in the cutout to insure adequate clearance between the burner box and countertop edge. (A light pencil mark along the center of front edge and side edge of cooktop and counter will aid positioning of the cooktop in the center.)
5. Trim excess aluminum tape along the frame edges. **BE CAREFUL** not to scratch the countertop.

Installation above an oven, **S30I, SC30I, C30I, CM 30I (Optional) I, J, K, and L.**

The cooktop can be installed over a single Thermador® electric oven. The cooktop should be located on the same center line as the under-the-counter single oven. If a single oven is installed under the cooktop, see Figure **K** for the location of the junction boxes.

NOTE: Thermador single oven Models S30I, SC30I, C30I and CM 30I installed under-the-counter with a Thermador® electric cooktop over it is a UL approved installation.

ELECTRICAL CONNECTION

1. Attach flexible conduit to the junction box.
2. Connect the cooktop lead wires to the junction box supply wires in proper phase:

For CET AND CEP models, connect black (L1) to black, red (L2) to red, green wire to ground, white neutral to white. White neutral must be grounded at breaker box.

NOTE: If the cooktop is installed and connected as specified above, it will be completely grounded in compliance with the National Electrical Code.

3. Remove everything from the cooktop surface and apply Cooktop Cleaning Creme (packaged with cooktop), as directed in Care & Use Manual, Page 14.
4. Turn on power supply.
5. Test operation.



CAUTION:

Your cooktop surface needs to be cleaned daily. Refer to the Care and Use section before using it for the first time.

BEFORE CALLING FOR SERVICE

If the elements do not heat or if the indicator “on” light does not glow, check the power source to see if a fuse has blown or if the circuit breaker has tripped.

Refer to the Cooktop Warranty on Page 17 of the Care and Use Manual.

PRODUCT DATA PLATE

The data plate shows the model and serial number of your cooktop. It is located in the center front area of the rough-in box, underneath the cooktop and printed on the back cover.

Keep your invoice or escrow papers for warranty validation, if service is needed.

Specifications are for planning purposes only. Refer to installation instructions and consult your countertop supplier prior to making counter opening. Consult with a heating and ventilating engineer for your specific ventilation requirements. For the most detailed information, refer to installation instructions accompanying product or write Thermador indicating the model number.

We reserve the right to change specifications or design without notice. Some models are certified for use in Canada. Thermador is not responsible for products which are transported from the United States for use in Canada. Check with your local Canadian distributor or dealer. Thermador, 5551 McFadden Avenue, Huntington Beach, CA 92649.

For the most up to date critical installation dimensions by fax, use your fax handset and call 702/833-3600. Use code #8030.

Thermador[®]

5551 McFadden Avenue, Huntington Beach, CA 92649 • 800/735-4328
ECO 5V009D • Lit. No. 50 60 00 21 89C (8106) • © 2001 BSH Home Appliances Corp. • Litho U. S. A. 6/01