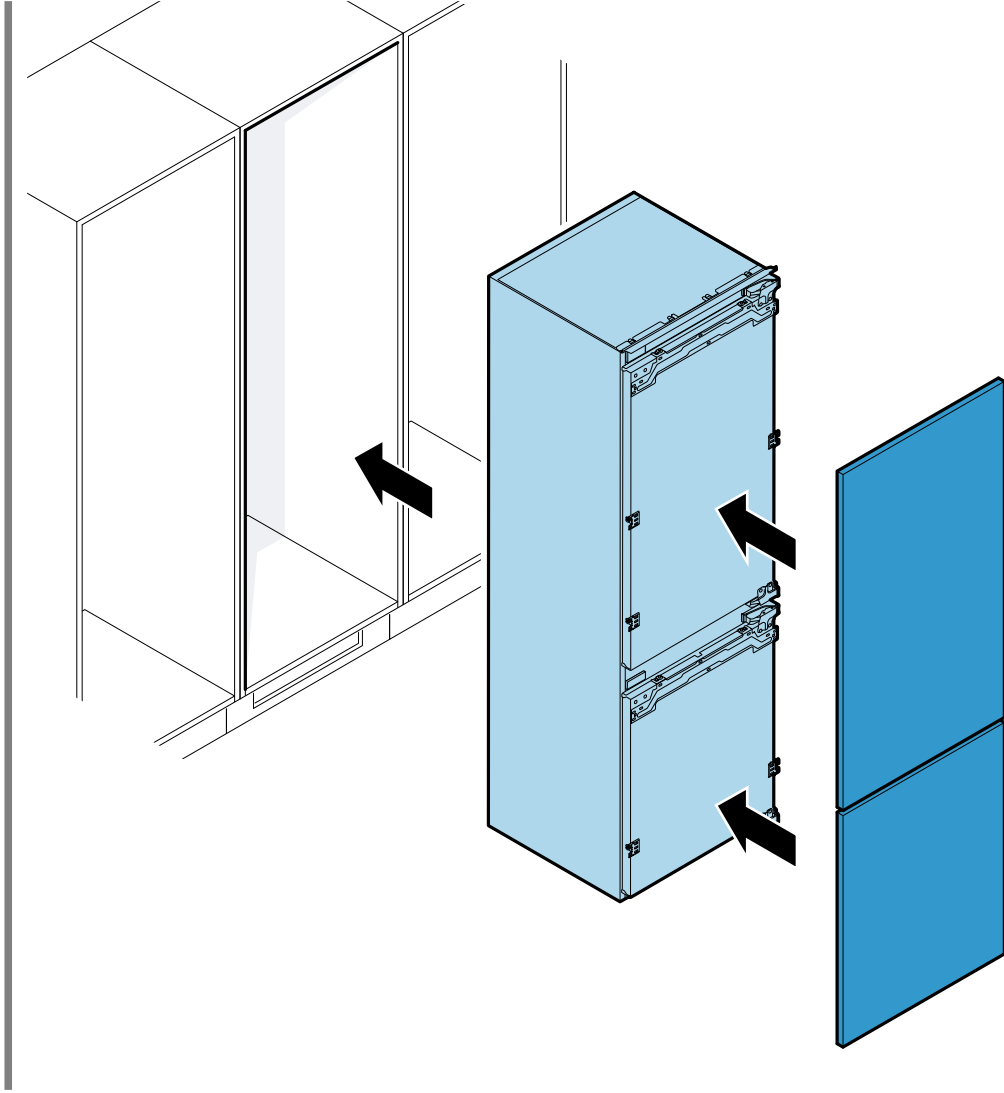


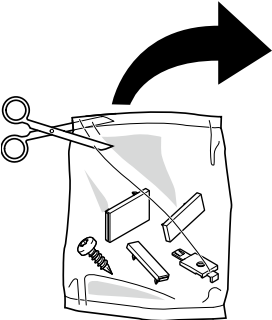


9001590990 (010407)

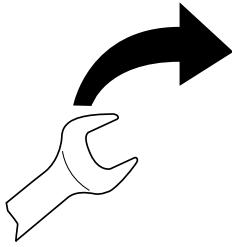


mm

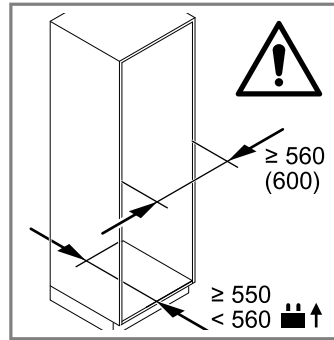
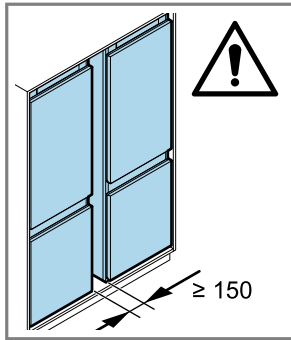
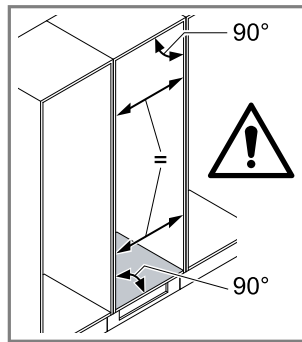
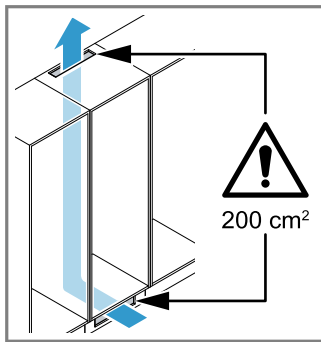


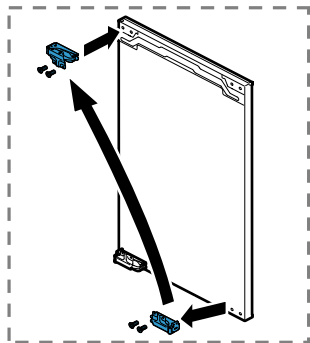
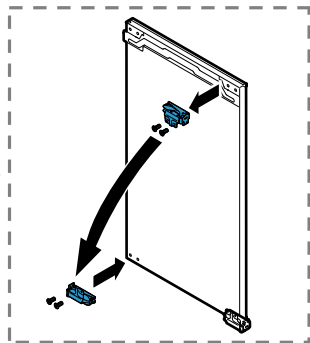
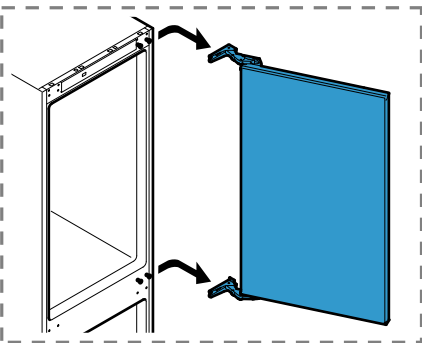
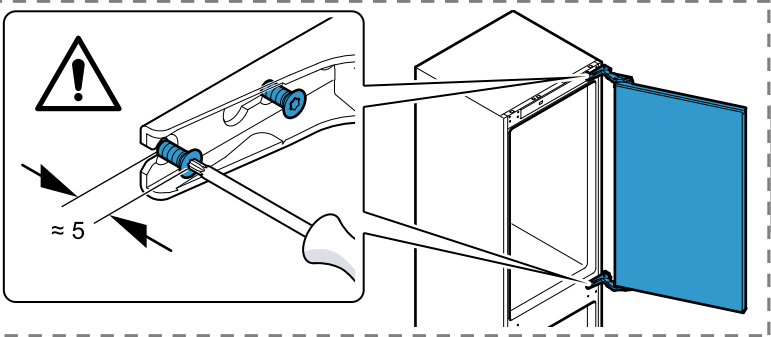
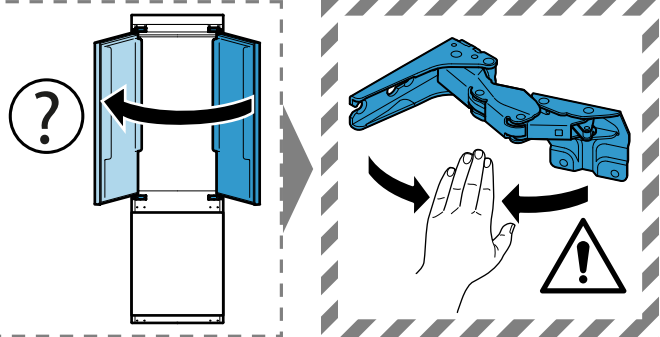
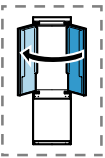


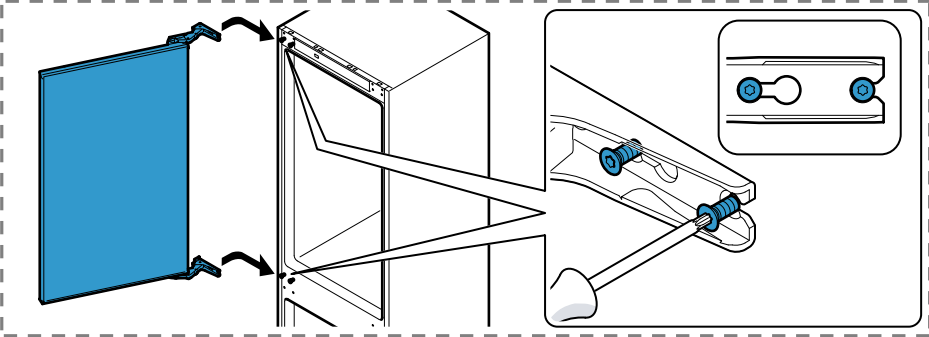
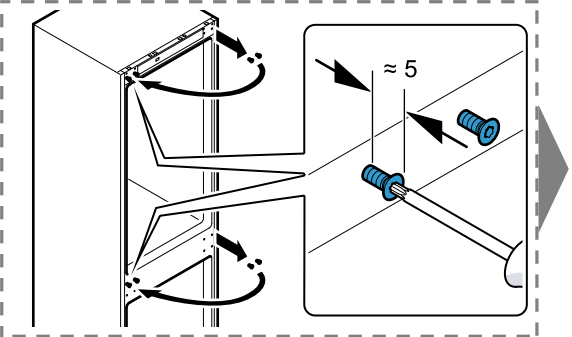
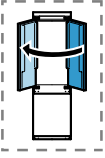
- 2x [Component]
- 2x [Component]
- 4x [Component]
- 6x [Component]
- 8x 4x15 T20 [Screw]
- 14x 4x15 T20 [Screw]
- 2x M5x10 T20 [Screw]
- 10x [Component]
- 2x [Component]
- 2x [Component]
- 2x [Component]
- 2x [Component]
- 2x [Component]
- 2x [Component]



- Torx T 20 [Screwdriver]
- [Pencil]
- [Level]
- [L-shaped metal piece]
- [Coiled cable]
- [Tape measure]
- [Scissors]
- ø 2 mm [Drill bit]

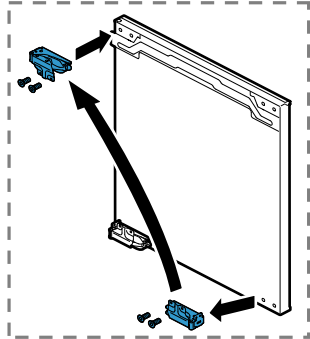
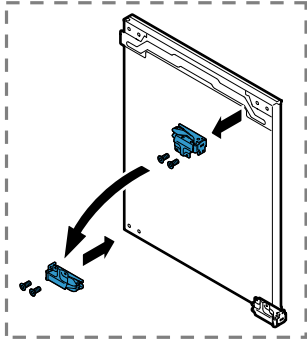
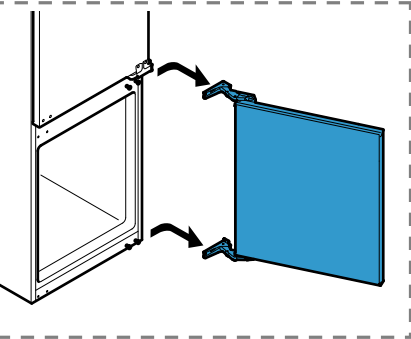
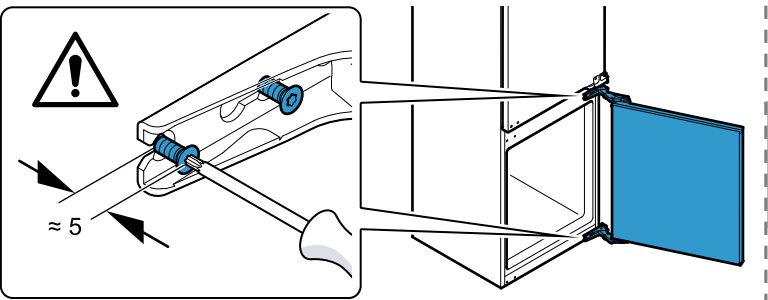
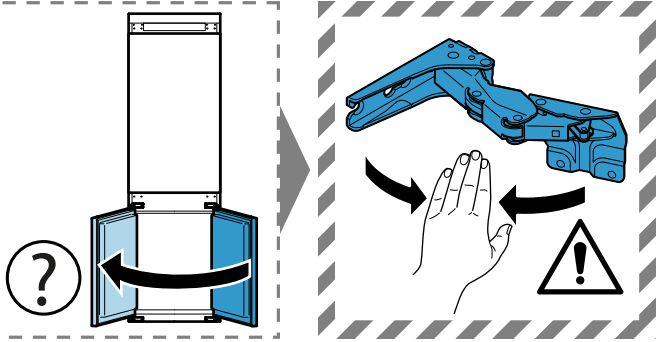
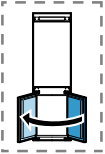






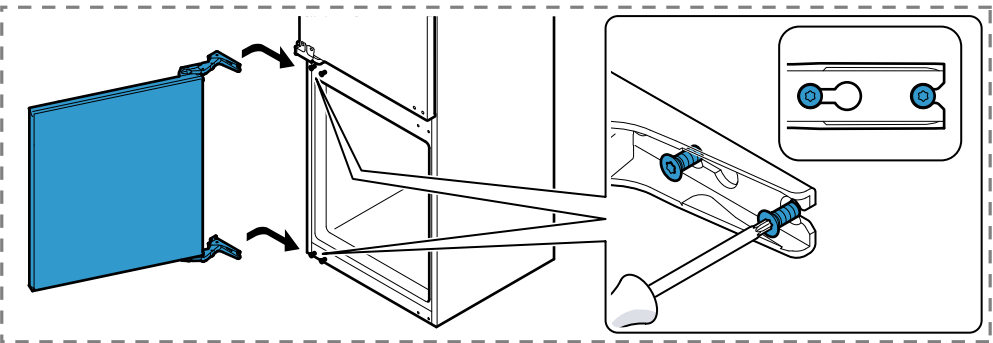
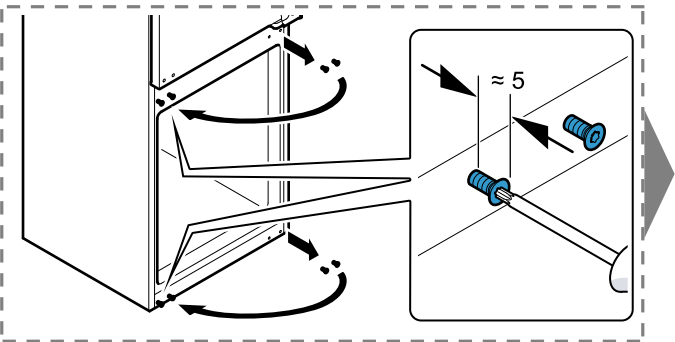
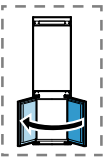
Torx
T 20





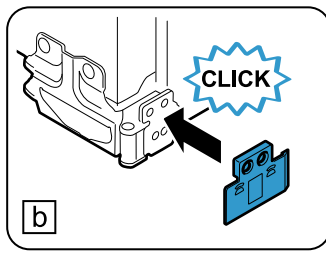
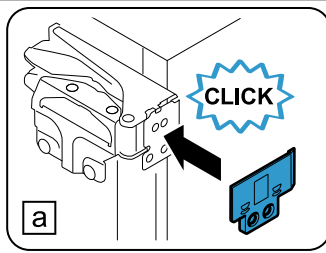
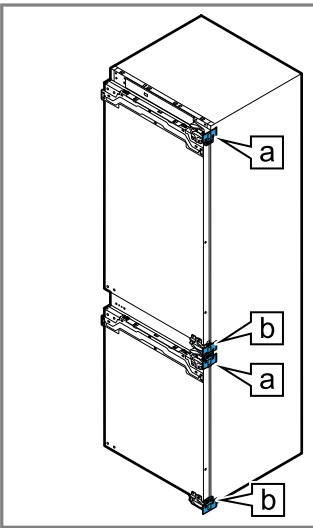
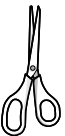
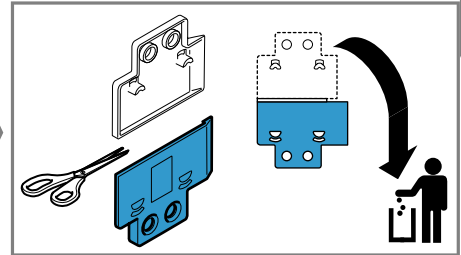
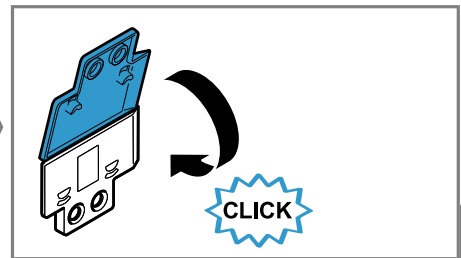
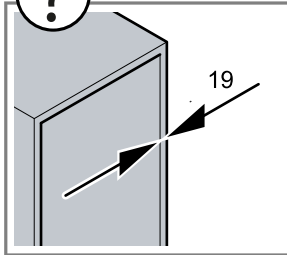
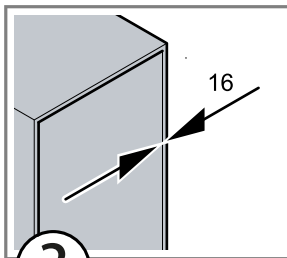
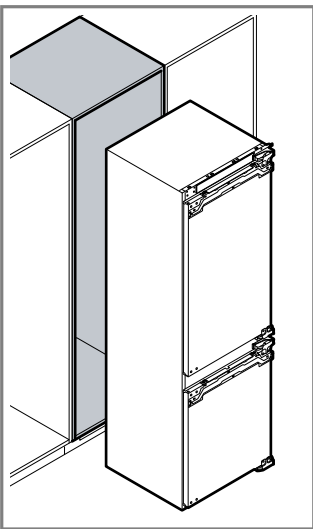
Torx
T 20





Torx
T 20

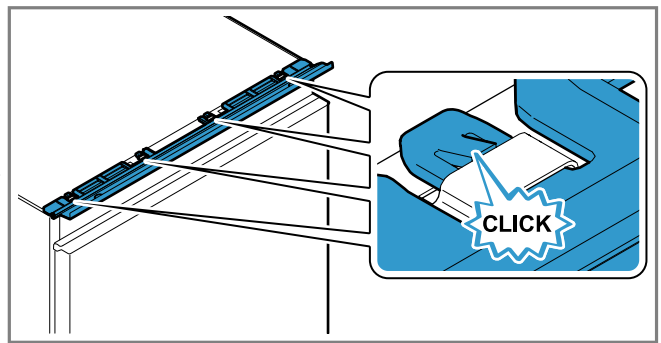
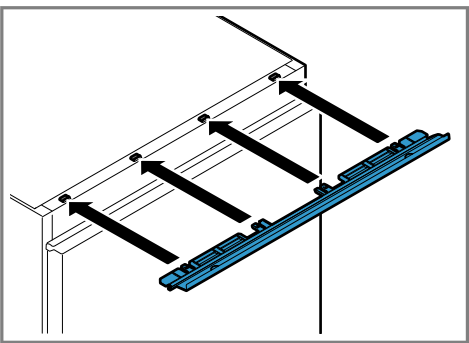
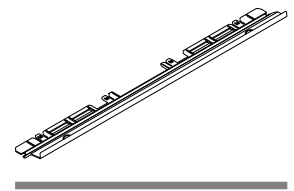
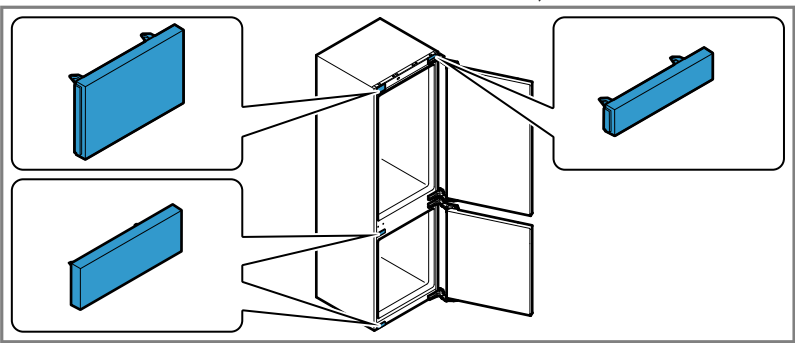
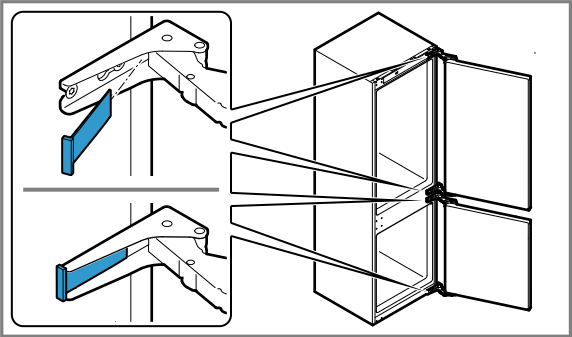


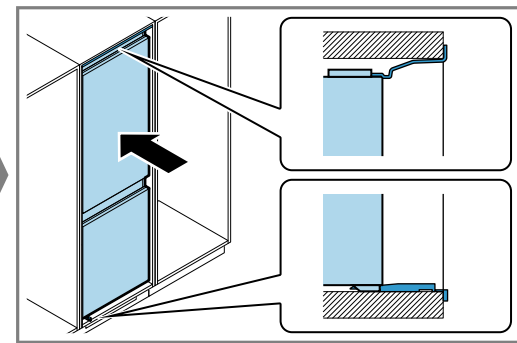
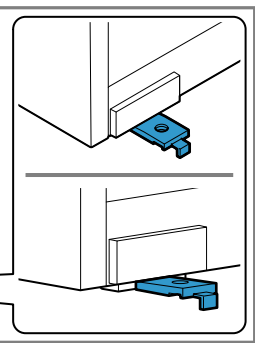
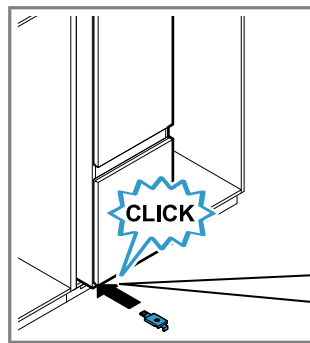
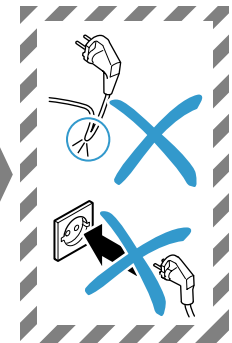
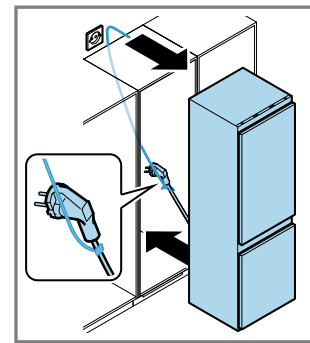
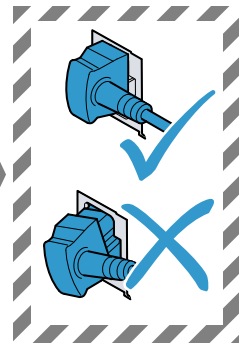
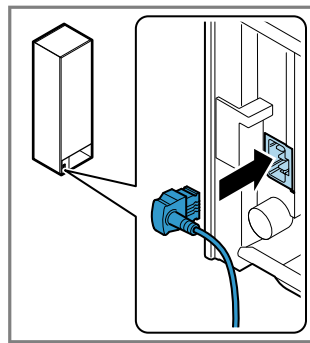
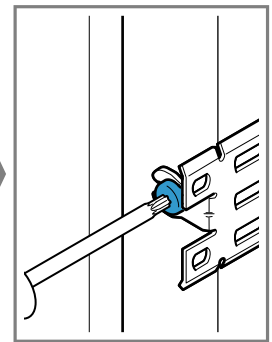
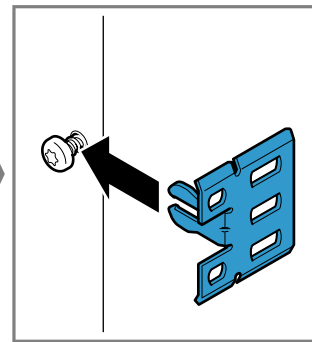
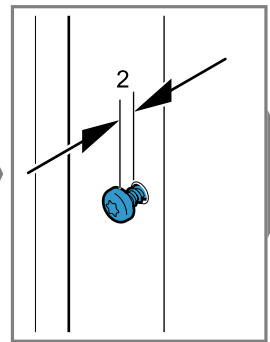
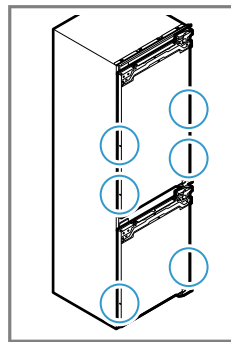
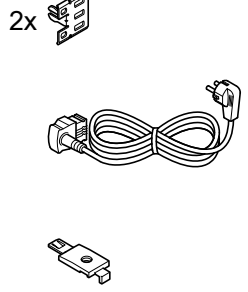


4x

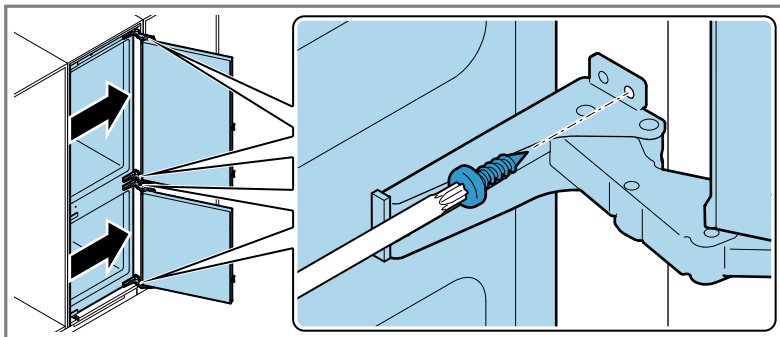
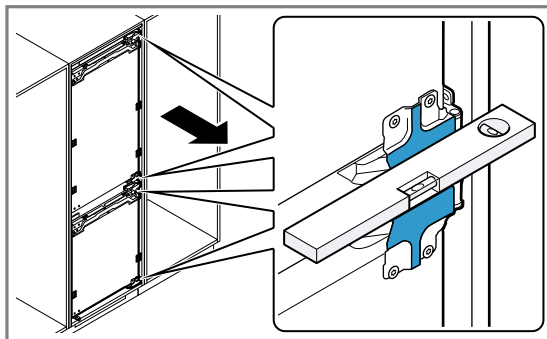
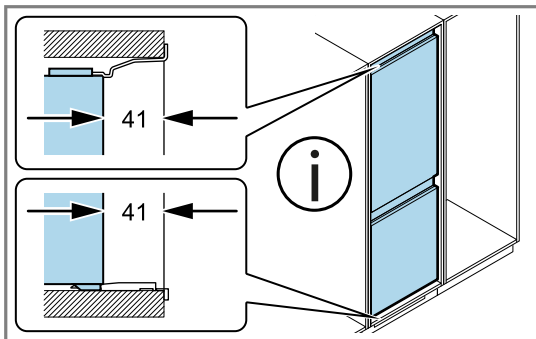


2x

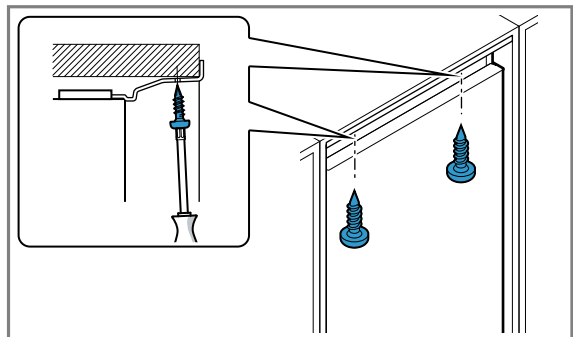
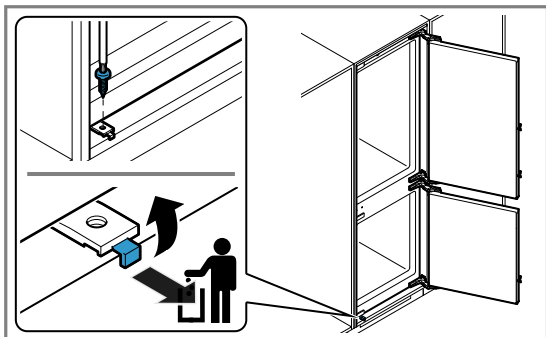
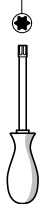




2x

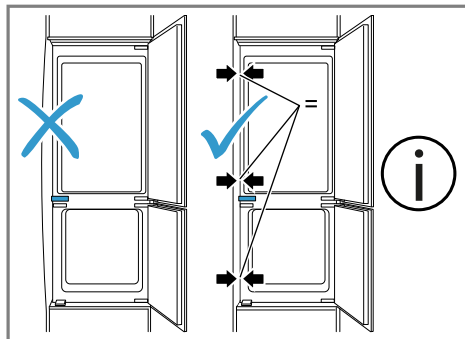
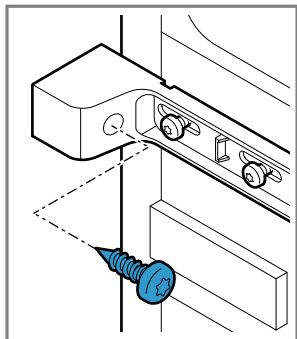
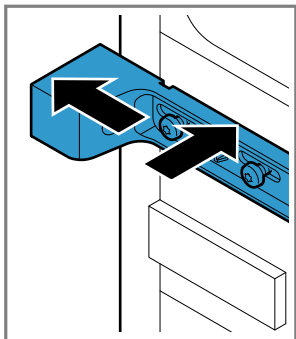
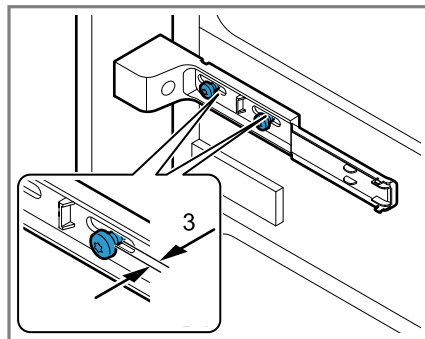
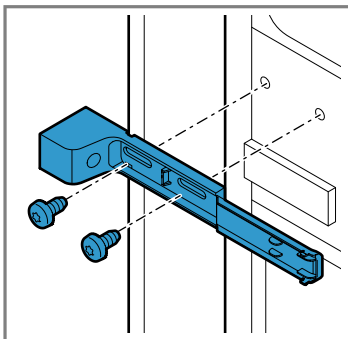
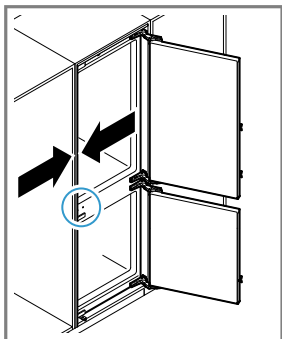
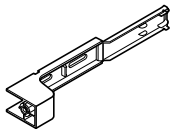


Torx
T 20

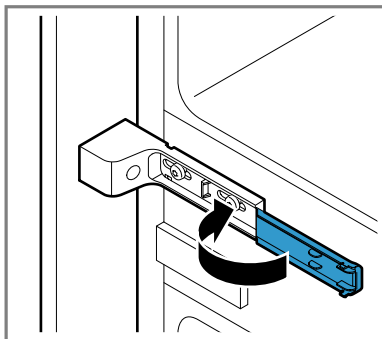
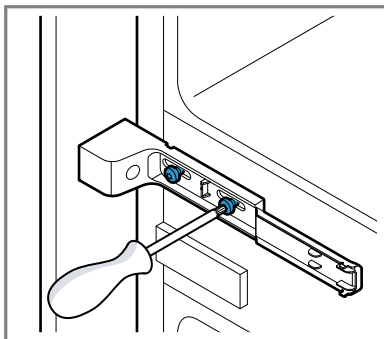


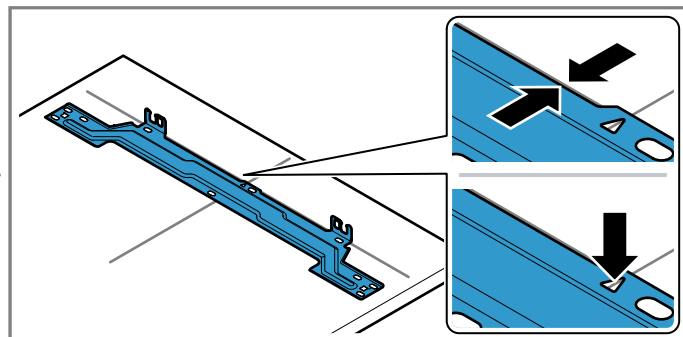
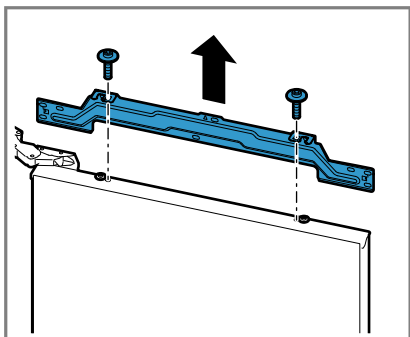
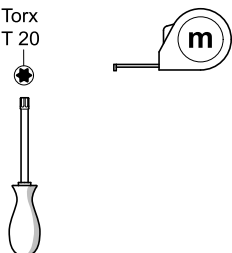
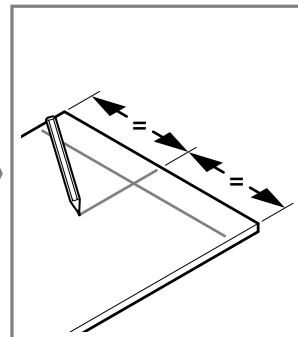
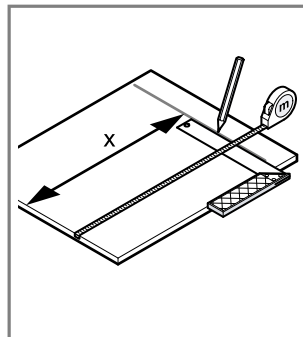
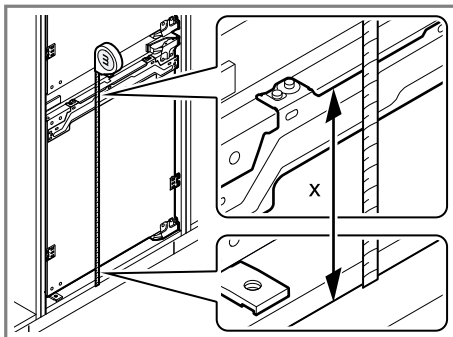
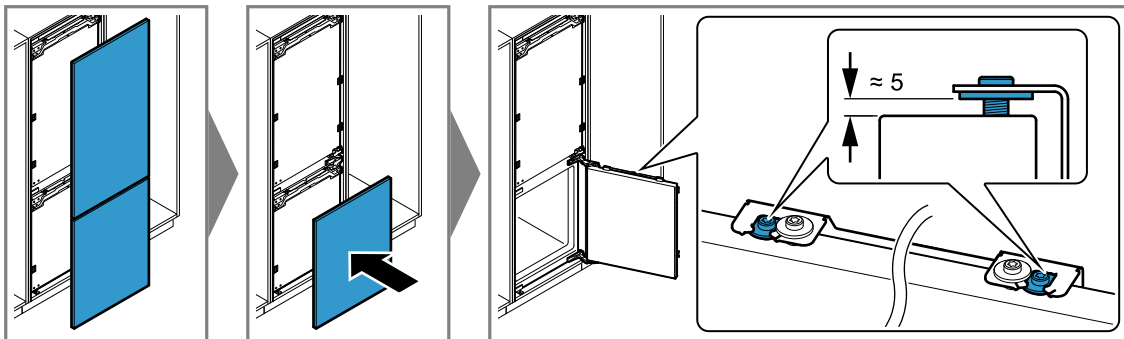


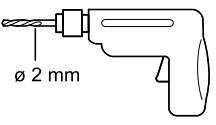
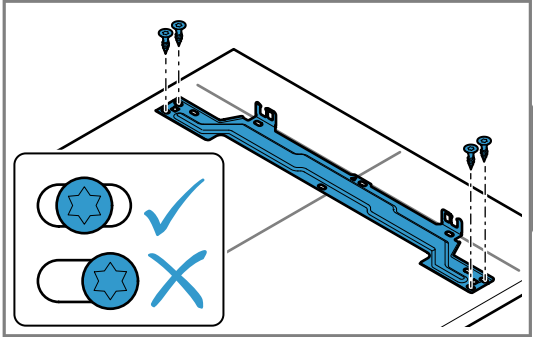
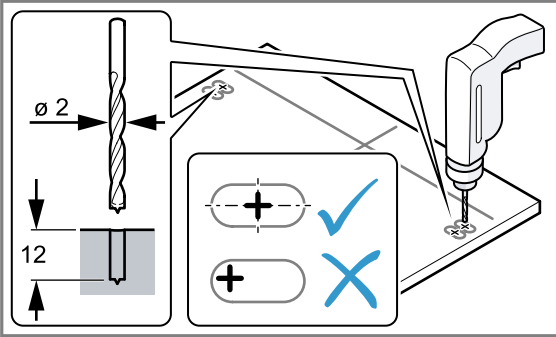
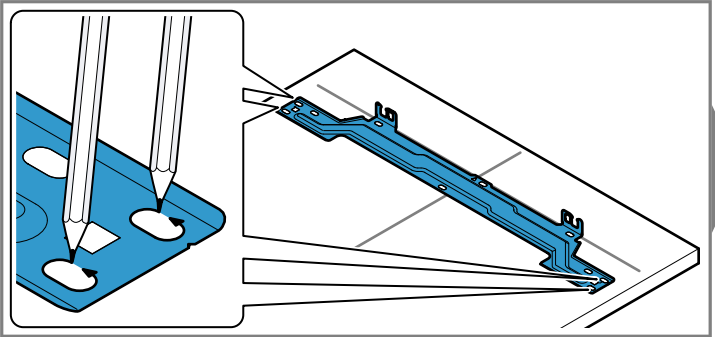
2x



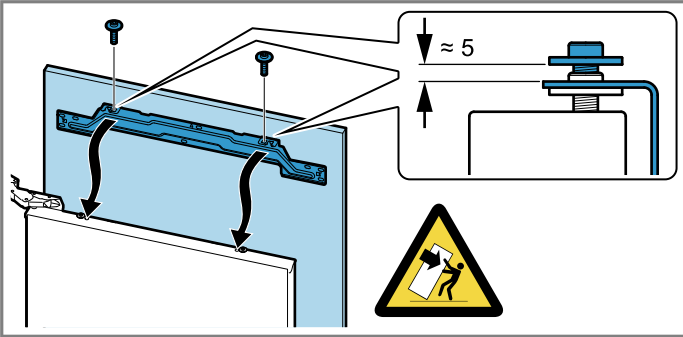
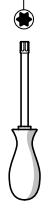
Torx
T 20

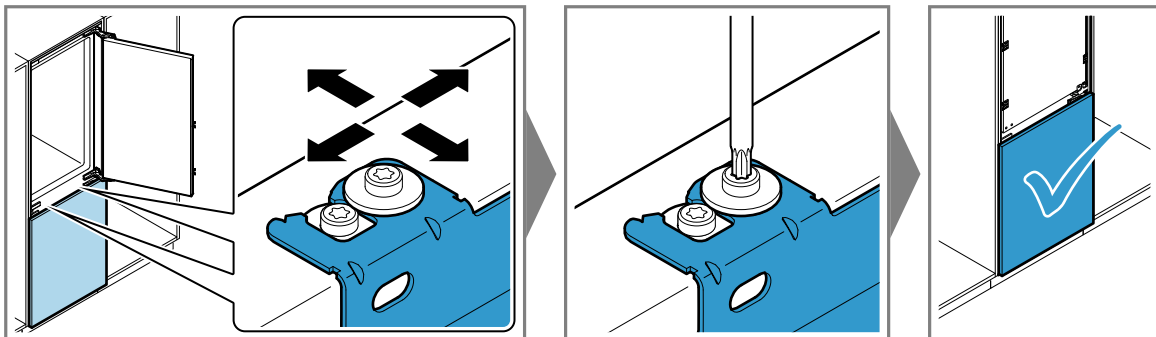
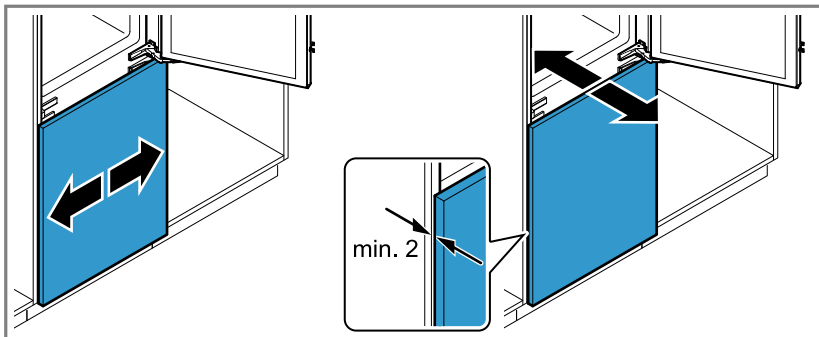
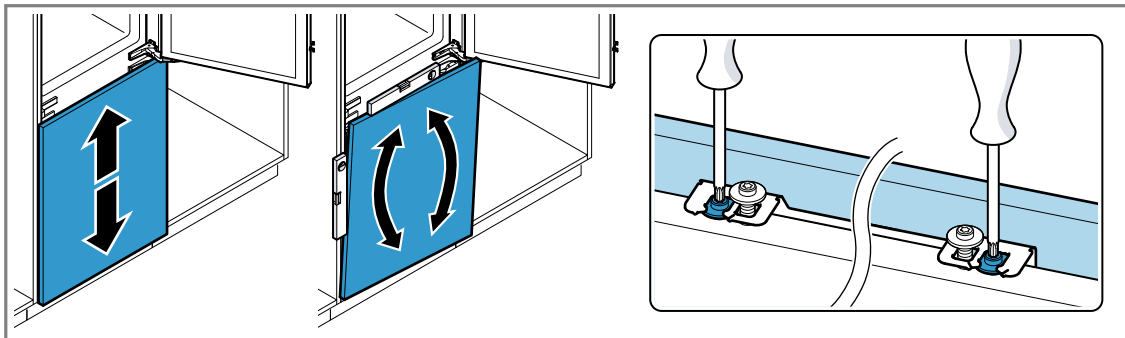






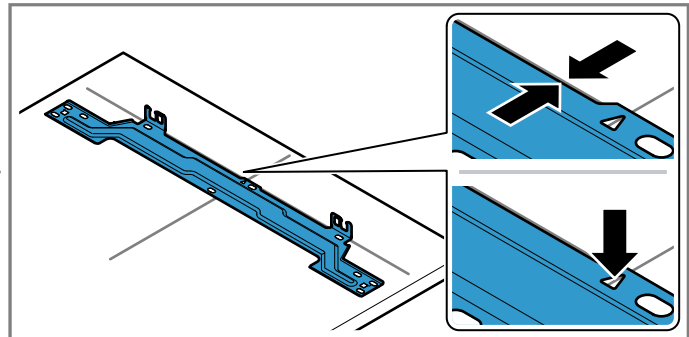
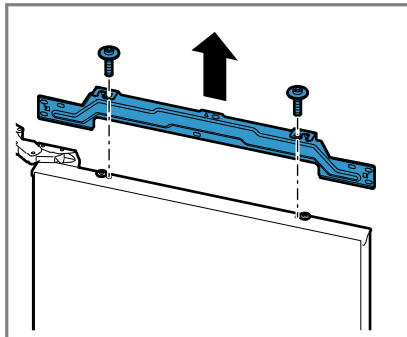
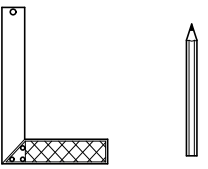
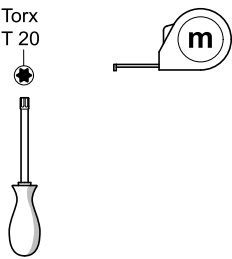
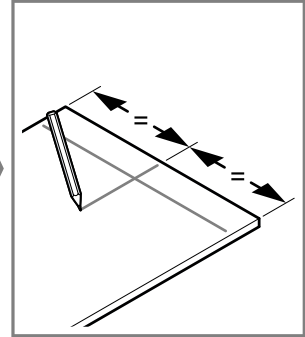
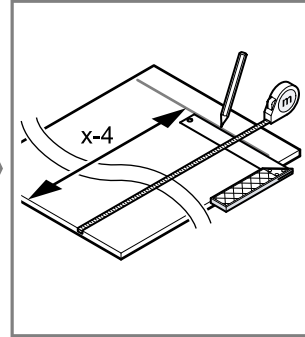
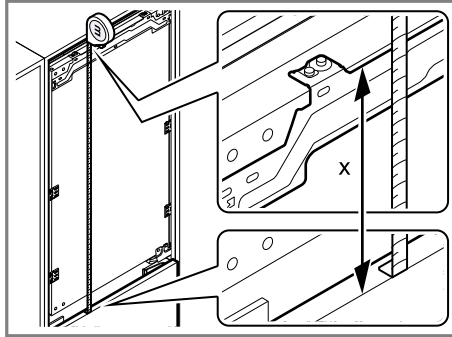
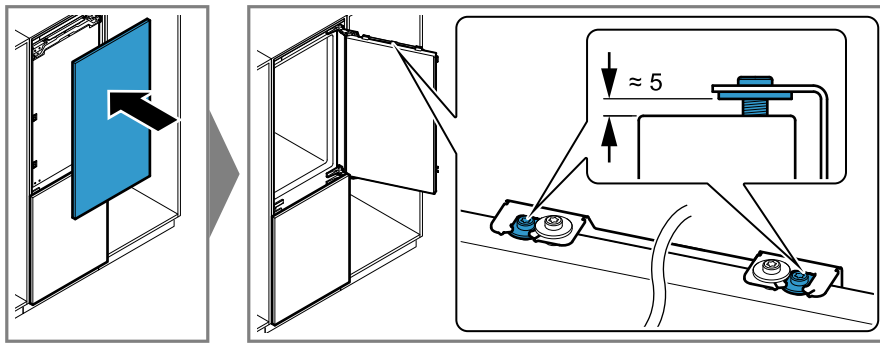
Torx
T 20

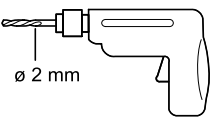
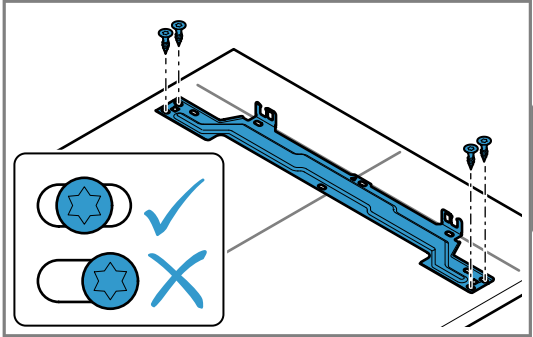
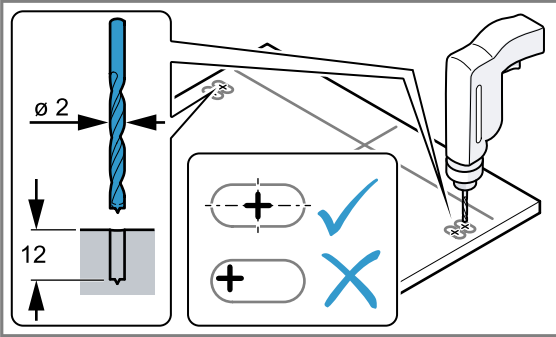
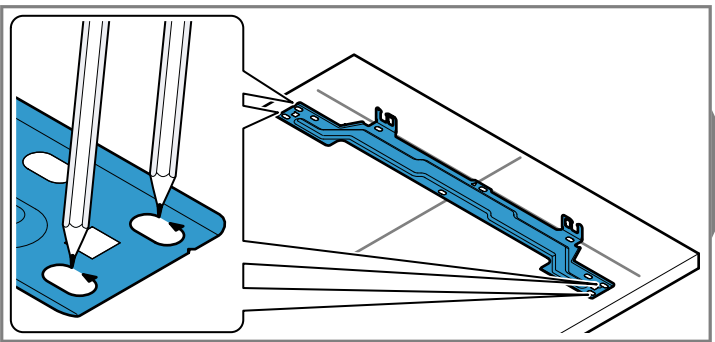




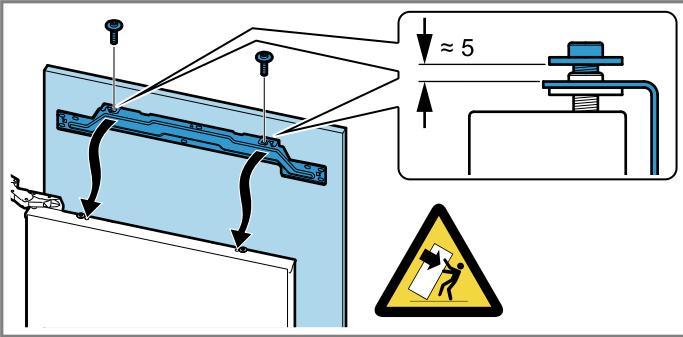
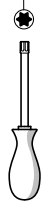
Torx
T 20

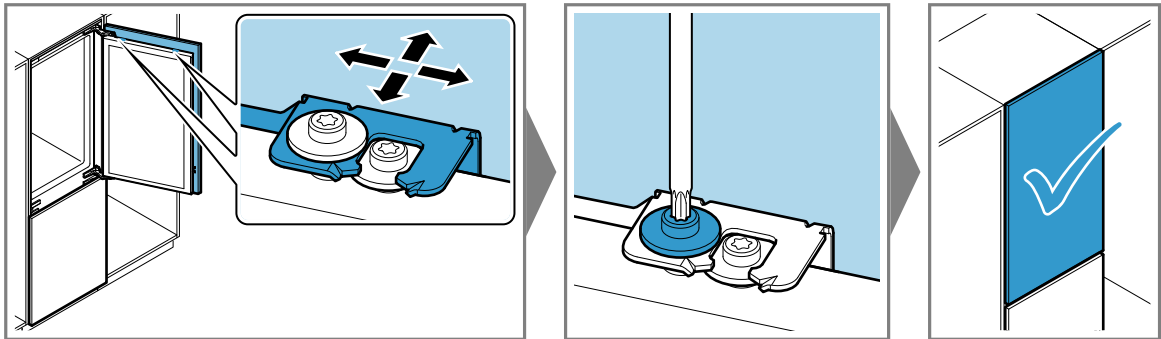
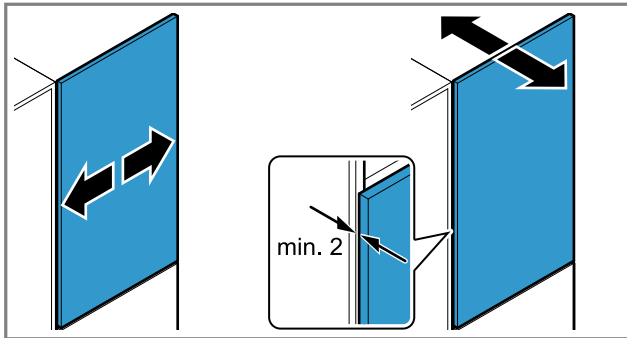
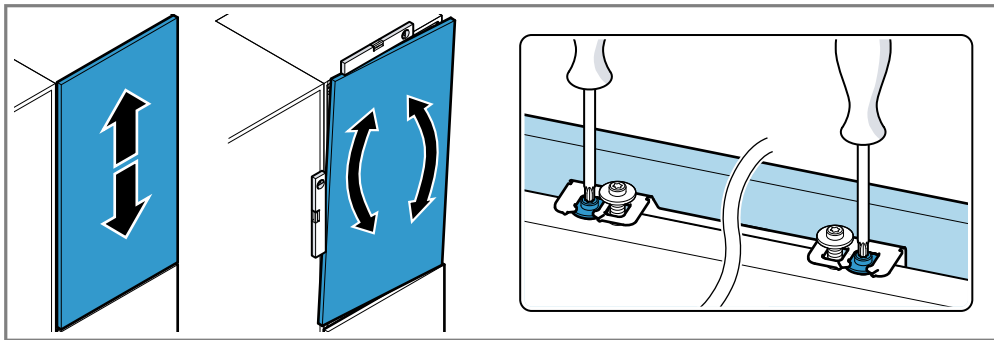






Torx
T 20

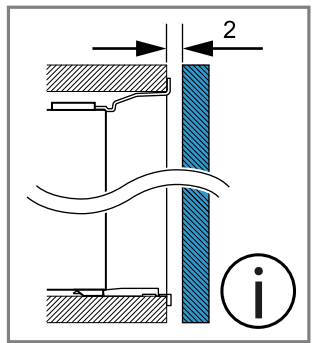
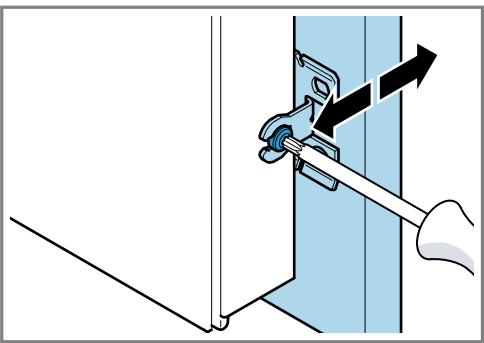
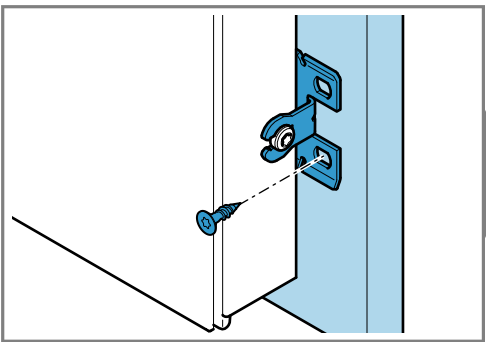
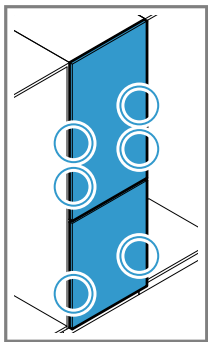
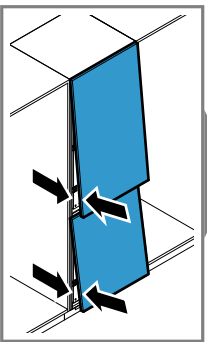




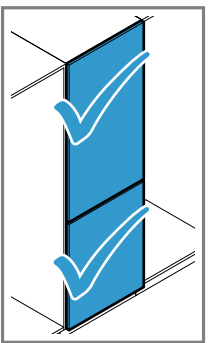
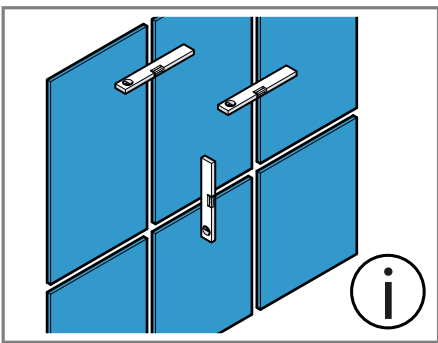
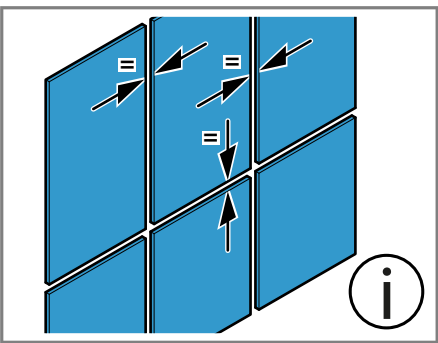
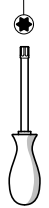
Torx
T 20

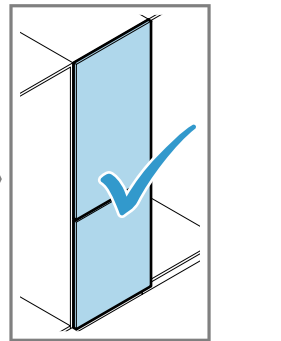
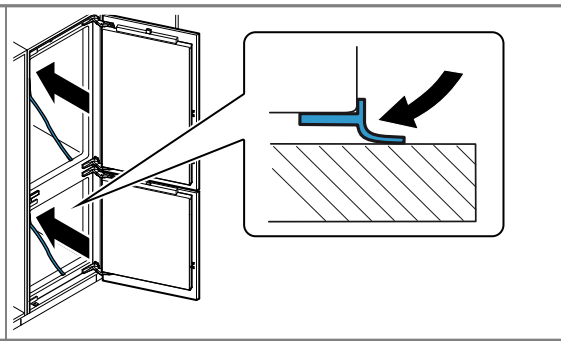
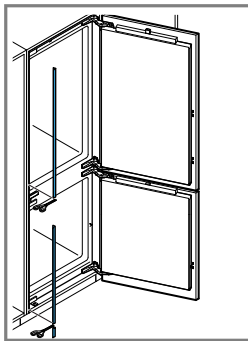
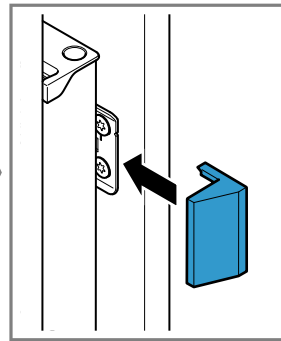
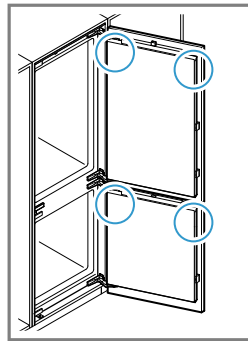
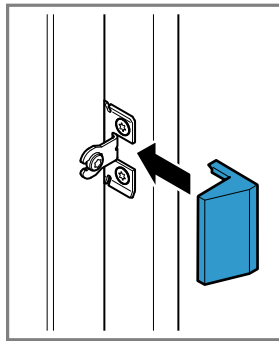
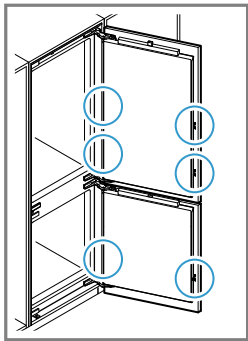
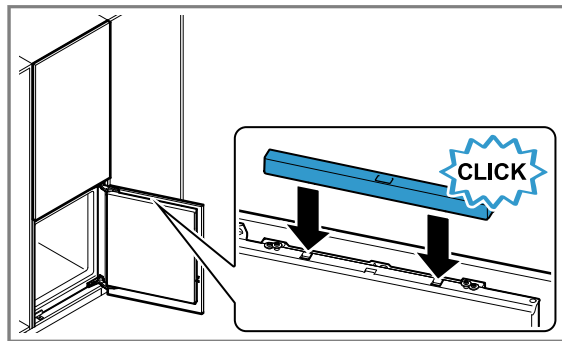
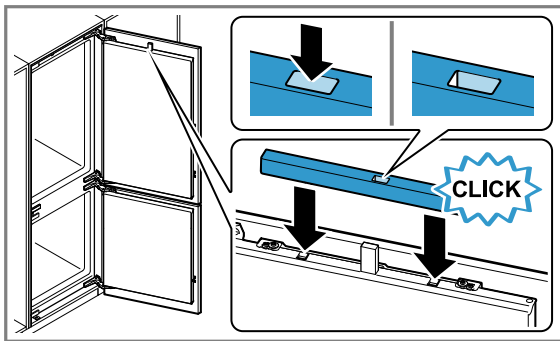
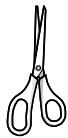
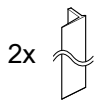
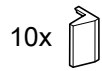
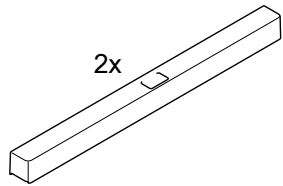


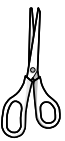
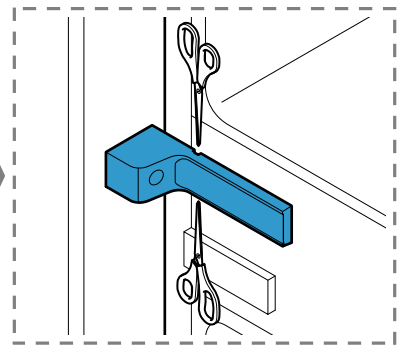
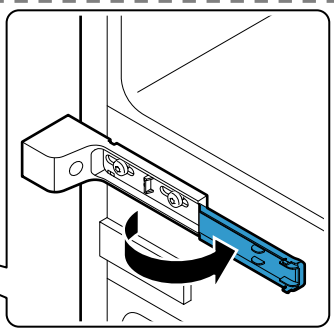
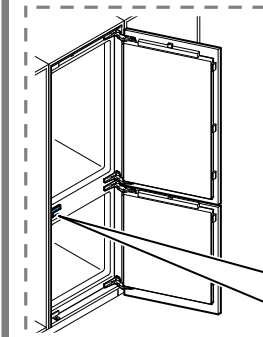
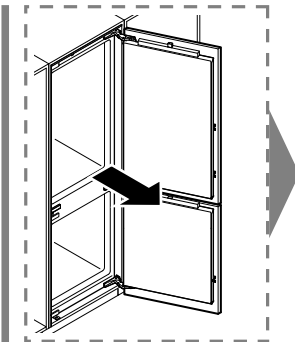
6x



Torx
T 20









A series of horizontal lines for writing, starting from a vertical margin line on the left and extending to the right edge of the page. There are 22 horizontal lines in total, creating 21 rows of writing space.



A series of horizontal lines for writing, starting from a vertical margin line on the left and extending across the page.