



BOSCH



Register your
new device on
MyBosch now and
get free benefits:
**[bosch-home.com/
welcome](https://bosch-home.com/welcome)**

Freezer

GTV..

en Table of contents

Safety instructions	3
Directions for disposal	4
Specifications supplied	4
Installing the appliance	4
Connecting the appliance	5
Changing the door hinge	6
Getting to know the appliance	7
Switching on the appliance	8
Setting the temperature	8
Usable capacity	8
Freezer compartment	8
Freezing capacity	8
Freezing and storing	8
Freezing fresh food	9
Defrosting frozen food	9
Fittings	9
Switching off and shutting down the appliance	10
Defrosting	10
Cleaning the appliance	10
Smells	11
Saving energy	11
Operation noises	11
Rectifying minor faults yourself	12
After-sales Service	13

Safety instructions

This appliance complies with the relevant safety regulations for electrical appliances and is fitted with noise suppression.

The refrigeration circuit has been checked for leaks.

About these instructions

- Read and follow the instructions for installation and use. They contain important information on how to install, use and maintain the appliance.
- The manufacturer is not liable if you disregard the notifications and warnings in the operating and installation instructions.
- Retain all documents for subsequent use or for the next owner.

Risk of explosion

- Never use electric appliances inside the appliance (e.g. heaters or electric ice makers).
- Do not store products which contain flammable propellant (e.g. spray cans) or explosive substances in the appliance.
- Keep high-percentage alcohol tightly sealed and store in an upright position.
- Do not use additional means to accelerate the defrosting process other than those recommended by the manufacturer.

Risk of electric shock

Improper installations and repairs may put the user at considerable risk.

- When installing the appliance, ensure that the mains cable is not trapped or damaged.
- If the mains cable is damaged: immediately disconnect the appliance from the electricity supply.
- Do not use multi-outlet power strips, extension leads or adapters.
- Have the appliance repaired by the manufacturer, Customer Service or a similarly qualified person only.
- Use original parts supplied by the manufacturer only. The manufacturer guarantees that these parts satisfy the safety requirements.

Risk of cold burns

- Never put frozen food straight from the freezer compartment into your mouth.
- Avoid prolonged contact between your skin and frozen food, ice and the tubes in the freezer compartment.

Risk of injury

Containers which contain carbonated beverages may burst.

Do not store containers which contain carbonated beverages in the freezer compartment.



Fire hazard/Danger due to refrigerants

The tubes of the refrigeration circuit convey a small quantity of an environmentally friendly but flammable refrigerant (R600a). It does not damage the ozone layer and does not contribute to the greenhouse effect. If refrigerant escapes, it may injure your eyes or ignite.

- Do not damage the tubes.

If the tubes are damaged:

- Keep naked flames and ignition sources away from the appliance.
- Ventilate the room.
- Switch off the appliance and pull out the mains plug.
- Please contact Customer Service.



Fire hazard

Portable multi-outlet power strips or power supplies may overheat, causing a fire.

Never leave portable multi-outlet power strips or portable power supplies behind the appliance.

Avoiding placing children and vulnerable people at risk

At risk here are:

- Children,
- People with limited physical, mental or sensory abilities,
- People who have inadequate knowledge concerning safe operation of the appliance.

Measures:

- Ensure that children and vulnerable people have understood the hazards.
- A person responsible for safety must supervise or instruct children and vulnerable people who using the appliance.
- Only children aged 8 years and above may use the appliance.
- Supervise children who are cleaning and maintaining the appliance.
- Never allow children to play with the appliance.

Risk of suffocation

- If the appliance features a lock: keep the key out of the reach of children.
- Keep children away from the packaging and its parts.

Damage to property

To prevent damage to property:

- Do not stand or support yourself on the base, runners or doors.
- Keep plastic parts and door seals free of oil and grease.
- Pull on the mains plug – not the power cord.

Weight

When installing and transporting the appliance, note that it may be very heavy.

Intended use

Use this appliance

- Only for freezing food and making ice.
- Only in the home and in the home environment.
- Only according to this user manual.

This appliance is intended for use up to a maximum height of 2000 metres above sea level.

Directions for disposal

Disposing of packaging

The packaging protects your appliance from damage during transport. All the materials used are environmentally friendly and can be recycled. Please help by disposing of the packaging in an environmentally responsible manner.

Information about the available disposal methods and sites can be obtained from your appliance retailer or your local authority.

Disposing of your old appliance

Used appliances are not valueless waste. Valuable raw materials can be recovered through environmentally responsible disposal.



This appliance is labelled in accordance with European Directive 2012/19/EU concerning used electrical and electronic appliances (waste electrical and electronic equipment - WEEE).

The Directive determines the framework for the return and recycling of used appliances as applicable throughout the EU.

Warning

Appliances at the end of their useful life:

1. Unplug the mains plug.
2. Cut the power cord and remove it along with the mains plug.
3. Do not remove the shelves and containers. Leaving them intact makes it more difficult for children to climb in.
4. Never let children play with a disused appliance.
Risk of asphyxiation!

Refrigerators contain refrigerant as well as gases in the insulation material. Refrigerant and gases must be disposed of properly. Do not damage the refrigerant circuit pipes before disposing of them properly.

Specifications supplied

After unpacking the appliance, check all parts for transport damage.

If you find any defects, contact the retailer from whom you purchased the appliance or our After-sales Service.

The appliance supplied consists of the following components:

- Free-standing appliance
- Features (vary depending on the model)
- Bag of assembly materials
- Instructions for use and installation
- Service record
- Guarantee slip
- Information on energy consumption and noise

Installing the appliance

Transport

Because of the weight and size of the appliance, and in order to minimise the risk of personal injury or damage to the appliance, at least two persons are required for moving and positioning the appliance safely.

Installation site

The ideal installation site is a dry, well ventilated room. The appliance should not be installed in a position that is exposed to direct sunlight or close to a source of heat, such as a cooker or radiator. If installation near to a source of heat is unavoidable, use a suitable insulating panel or keep to the following minimum distances from the source of heat:

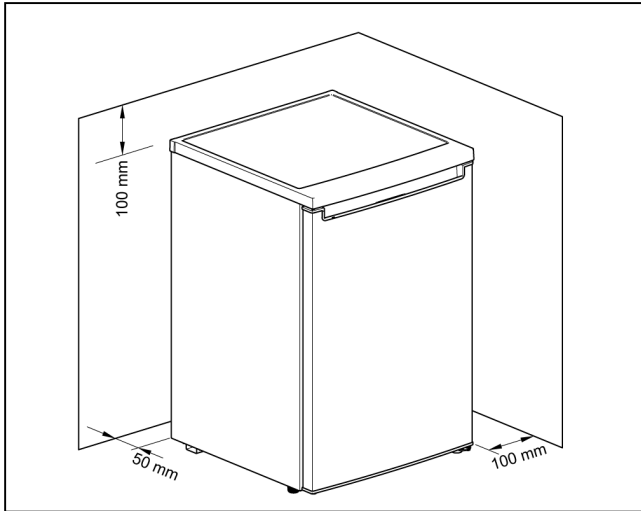
- 3 cm from an electric or gas cooker.
- 30 cm from oil or solid fuel cookers.

Floor surface

The floor at the installation site must not give. Reinforce the floor if necessary.

Wall clearance

If the appliance is positioned in the corner of a room or a recess, minimum clearances at the sides must be maintained so that the heated air is able to escape unimpeded and the appliance door can be fully opened.



Observe the room temperature and ventilation requirements

Room temperature

The appliance is designed for a certain climate class. Depending on the climate class, the appliance can be operated at the following ambient temperatures.

The climate class is specified on the rating plate.

Climate class	Permissible room temperature
SN	+10 °C to 32 °C
N	+16 °C to 32 °C
ST	+16 °C to 38 °C
T	+16 °C to 43 °C

Note

The appliance is fully functional within the room temperature limits of the specified climate class. If an appliance in the SN climate class is operated at lower ambient temperatures, damage to the appliance can be excluded up to a temperature of +5 °C.

Ventilation

The heated air must be able to escape unimpeded. Otherwise, the refrigerating unit has to work harder, which increases the appliance's power consumption.

Therefore:

- Never cover over or block the air vent.
- Keep minimum distances to walls and furniture.

Connecting the appliance

After setting up the appliance, wait for at least 4 hours before starting the appliance up. The oil contained in the compressor may have been displaced into the refrigeration system during transport.

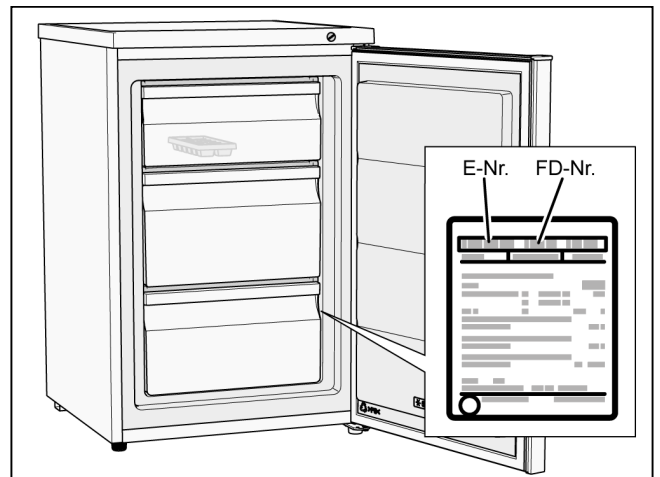
Before starting the appliance up for the first time, clean its interior (see section headed Cleaning the appliance).

Electrical connection

The socket must be near to the appliance and easily accessible after the appliance has been installed.

The appliance conforms to protection class I. Connect the appliance to a 220-240 V/50 Hz alternating current supply using a socket with protective earthing conductor which has been correctly installed. The socket must be protected by a fuse with a rating of 10 A to 16 A.

In the case of appliances operated outside of Europe, check whether the voltage and type of current specified conform to the values of your electricity grid. You will find this information on the rating plate.



⚠ Warning

The appliance must never be connected up to an electronic energy-saving socket.

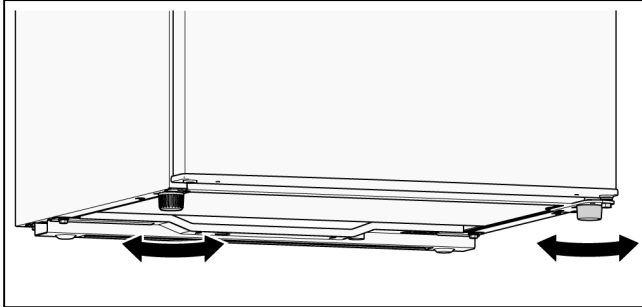
Sinusoidal-commutated and line-commutated inverters can be used with our appliances. Line-commutated inverters are used with photovoltaic systems that are connected directly to the national grid. Sinusoidal-commutated inverters must be used with standalone applications (e.g. on ships or mountain huts) that do not have a direct connection to the national grid.

Aligning the appliance

Note

To ensure that it functions properly, the appliance must be aligned using a spirit level.

1. Move the appliance into its intended installation position.
2. Screw the feet in/out until the appliance is exactly aligned.



Changing the door hinge

We recommend to have the door hinge changed by our customer service. How much a door hinge change will cost you can find out contacting customer service.

⚠ Warning

When the door hinge is changed, the appliance must not be connected to the power supply. Please pull the mains plug beforehand.

Required tools

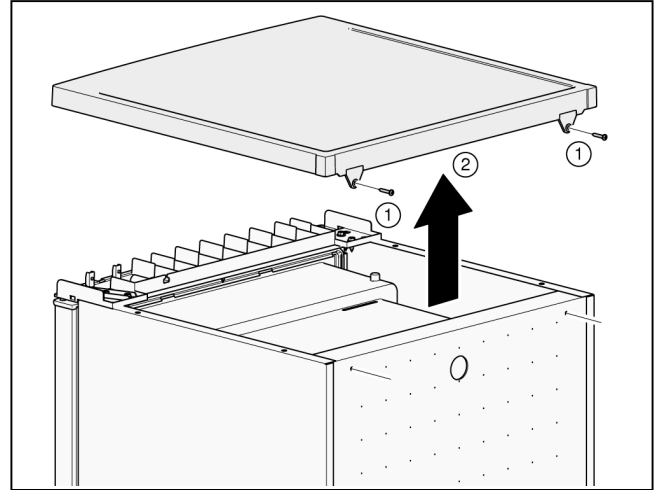
 8 mm hex nut driver

 Cross-shaped screwdriver

 Thin-blade screwdriver

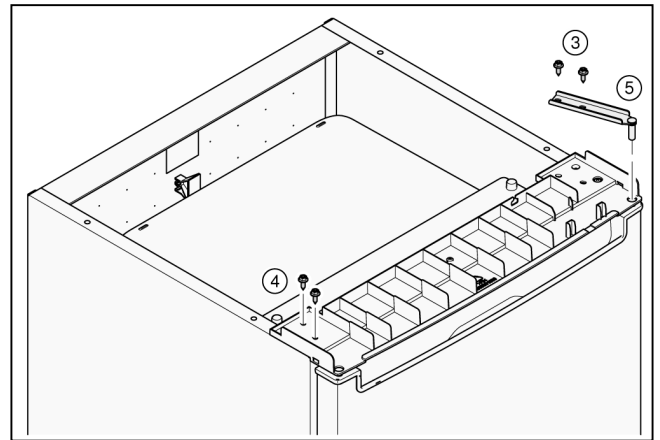
Changing door hinge of the appliance door

1. Open the appliance door and unhook and remove all fittings from inside the appliance (see section headed Fittings).
2. Unscrew the 2 screws (1).
3. Take off the cover plate (2) and set it down on a soft surface.



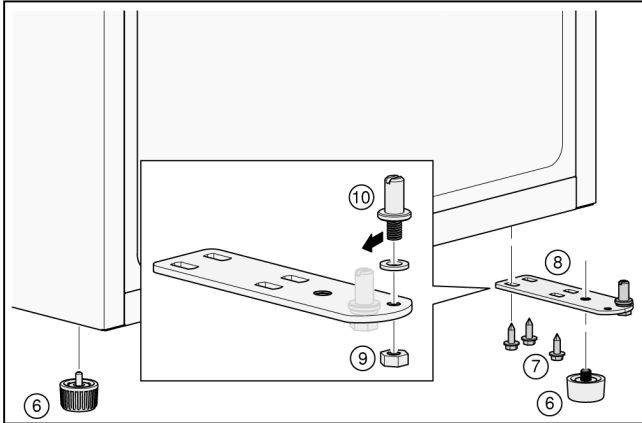
Hold on to the appliance door!

4. Unscrew the 2 screws (3).
5. Unscrew the 2 screws (4).
6. Remove the top hinge (5).

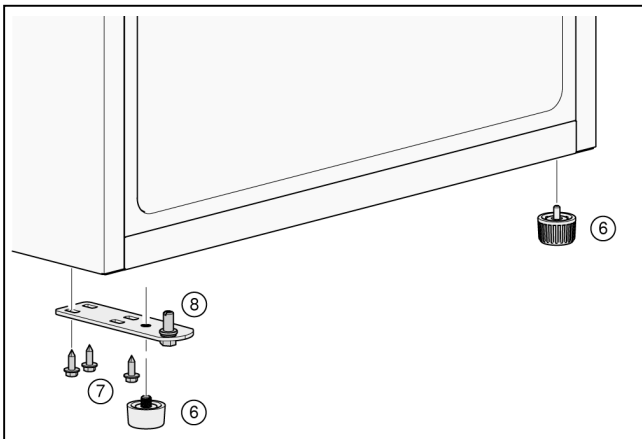


7. Unhook the appliance door and set it down on a soft surface.
8. To avoid damaging the appliance rear side, provide cushioning material. Place the appliance carefully onto its rear side.

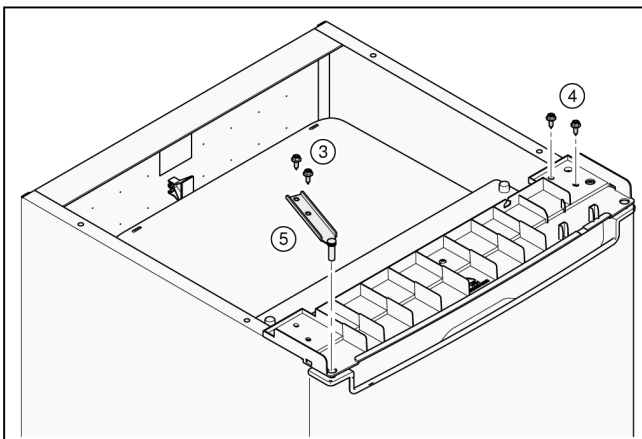
9. Unscrew the feet (6).
10. Unscrew the 3 screws (7).
11. Remove the bottom hinge (8).
12. Unscrew the nut (9) and pull out the bolt (10).



13. Insert the bolt (10) into the left boring and apply the nut (9) and tighten.
14. Apply the bottom hinge (8) and apply 3 the screws (7) and tighten.
15. Screw the feet (6) into the bottom hinge (8).

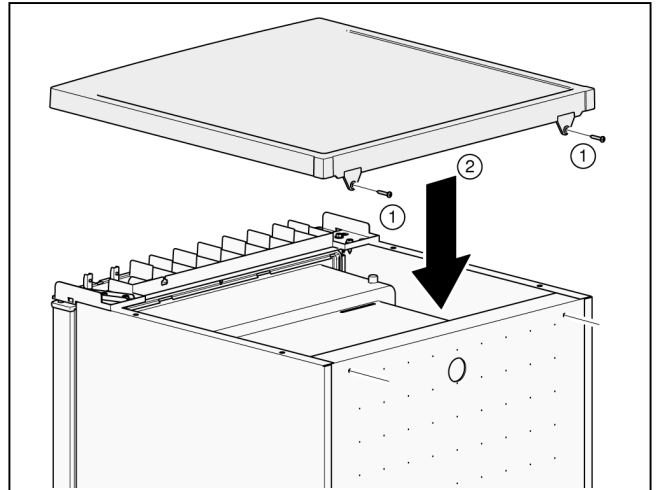


16. Attach the appliance door to the bottom hinge (8).
17. Apply the 2 screws (4) and tighten.
18. Apply the top hinge (5) and apply the 2 screws (3) and tighten.



19. Turn the appliance upright again.

20. Mount the cover panel (2) at the front and lay it flat on the rear.
21. Apply the 2 screws (1) and tighten.

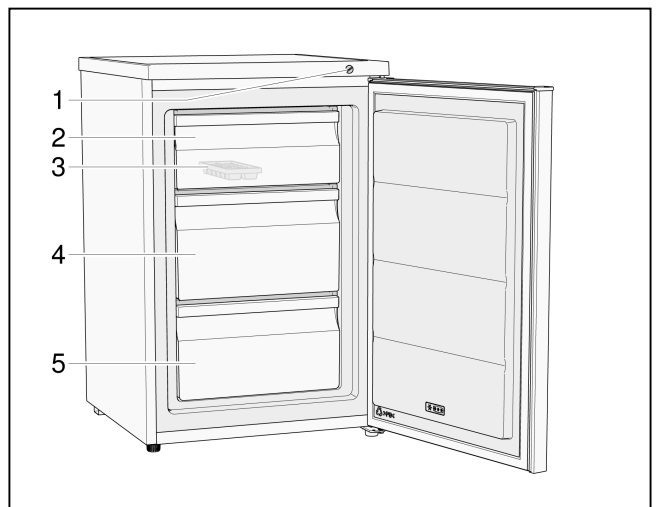


22. Open the appliance doors and attach all fittings (see section headed Fittings).

Getting to know the appliance

Appliance

The features of the models may vary.
The illustrations may differ from your particular model.



- 1 Temperature controller
- 2 Upper frozen food container
- 3 Ice-cube tray
- 4 Medium frozen food container
- 5 Lower frozen food container

Switching on the appliance

Plug the mains plug into the mains outlet socket.
The appliance will start cooling.

Notes on using the appliance

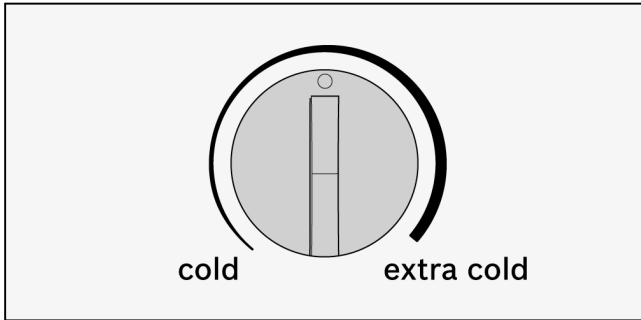
- After switching on the appliance, it may be several hours before the set temperature is reached.
Do not put any food in the appliance before then.
- If you cannot open the appliance door again immediately after closing it, wait a moment for the low pressure created to equalise.

Setting the temperature

Freezer compartment

Use a coin to turn temperature controller to the required setting.

We recommend a medium temperature setting.



cold: Warmer temperature
extra cold: Cooler temperature (higher energy consumption)

Set cooler temperatures only as a temporary measure when large quantities of food are put into the freezer compartment or when ice is produced.

Note

When a cooler temperature was set while the outside temperature is higher, the cooling unit runs very frequently or without interruptions. This results in higher energy consumption.

Usable capacity

You will find the details of the usable capacity on the rating plate inside the appliance.

Freezer compartment

Use the freezer compartment for the following

- Storing deep frozen food.
- To make ice cubes.
- To freeze food.

Note

Make sure that the appliance door is always closed. When the appliance door is open, the frozen foods defrost and the freezer compartment ices up heavily. In addition: Energy is wasted due to the power consumption.

Freezing capacity

You will find information on the freezing capacity on the rating plate.

Freezing and storing

Purchasing frozen foods

- Packaging must not be damaged.
- Observe the best before date.
- The temperature in the commercial chest freezer must be $-18\text{ }^{\circ}\text{C}$ or colder.
- As far as possible, frozen food must be transported in an insulated container and quickly placed in the freezer compartment.

When arranging the food, note the following

Spread the items out well in the frozen food containers.

Note

Food that is already frozen must not come into contact with the food that is to be freshly frozen.

Storing frozen food

Avoid contact between food and rear panel. Otherwise the air circulation will be impaired.

Food or packaging could freeze to the rear panel.

Freezing fresh food

Only use fresh, undamaged food for freezing.

In order to retain the nutritional value, aroma and colour of the food as much as possible, blanch vegetables before they are frozen.

Blanching is not required for aubergines, peppers, courgettes and asparagus.

You can find literature about freezing and blanching in bookshops.

Note

Do not allow food that is to be frozen to sit right next to food that has already been frozen.

- The following are suitable for freezing:
Baked goods, fish and seafood, meat, game, poultry, vegetables, fruit, herbs, eggs without their shells, dairy products such as cheese, butter and curd cheese, prepared dishes and leftovers such as soups, stews, cooked meat and fish, potato dishes, baked casseroles and sweet foods.
- The following are not suitable for freezing:
Types of vegetable that are usually eaten raw, such as lettuces or radishes, eggs in their shells, grapes, whole apples, pears and peaches, hard-boiled eggs, yoghurt, curds, soured cream, crème fraîche and mayonnaise.

Packing frozen food

Pack food so that it is airtight to prevent it from losing its flavour or drying out.

1. Store food in its packaging.
2. Press out any air.
3. Close the packaging tightly.
4. Label packaging with its contents and date of freezing.

The following are suitable as packaging:

Plastic film, polyethylene hose film, aluminium foil, freezer bags.

You will find these products at your specialist dealer.

The following are not suitable as packaging:

Wrapping paper, greaseproof paper, cellophane, rubbish bags and used shopping bags.

The following are suitable for sealing packaging:

Rubber bands, plastic clips, pack-twines, cold-resistant scotch tape, or similar.

Polyethylene bags and hose film can be fused closed using a bag sealer.

Storage life of frozen foods

The storage life depends on the type of food.

At a temperature of -18 °C:

- Fish, sausages, prepared dishes, baked goods:
Up to 6 months.
- Cheese, poultry, meat:
Up to 8 months.
- Vegetables, fruit:
Up to 12 months.

Defrosting frozen food

You can choose between the following options, depending on the type of food and its intended use:

- at ambient temperature
- in the fridge
- in an electric oven, with/without hot air convection
- In the microwave oven.

⚠ Caution

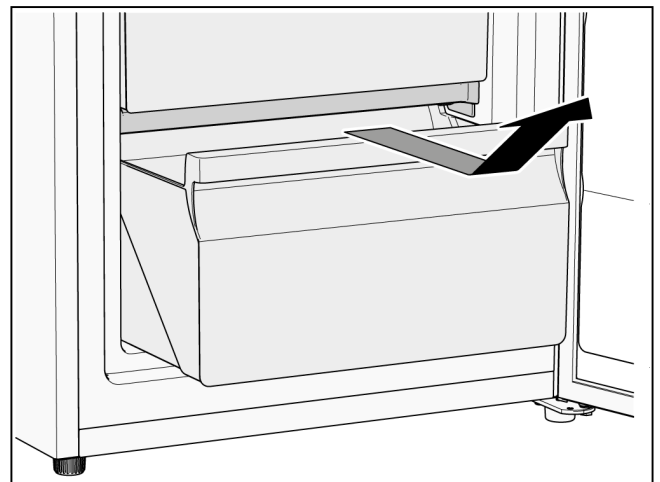
Do not refreeze defrosted food. It can only be refrozen after it has been made into a ready-to-eat meal (cooked or roasted).

Do not continue to use the complete max. storage time for the frozen food.

Fittings

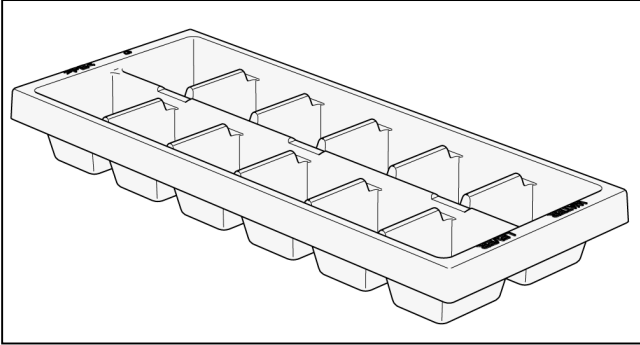
Frozen food container

The frozen food containers can be removed for loading and unloading and cleaning.



Ice-cube tray

The ice-cube tray is for producing and keeping ice cubes in.



1. Fill the ice-cube tray $\frac{3}{4}$ full of drinking water and place in the frozen food container.
2. If the ice-cube tray is stuck to the freezer compartment, loosen with a blunt implement only (spoon-handle).
3. To loosen the ice cubes, twist the ice-cube tray slightly or hold briefly under flowing water.

Switching off and shutting down the appliance

Switch off the appliance

Unplug the appliance from the mains or switch off the circuit-breaker.

Putting the appliance out of service

If you do not use the appliance for long periods:

1. Remove all food from the appliance.
2. Switch off the appliance.
3. Defrost the appliance.
4. Clean the appliance.
5. Leave the appliance door open.

Defrosting

Freezer compartment

A layer of frost in the freezer compartment impairs the cooling effect on the frozen food and increases the power consumption. If there is a layer of frost, you must defrost the appliance.

General tips

- When putting food in or taking food out, open the appliance door for as little time as possible.
- Do not install the appliance in a damp room. A high level of humidity aids the formation of frost.
- Package fresh food so that it is as air-tight as possible.

Caution

Do not scrape away the layer of ice using a knife or a sharp object. You could damage the refrigerant pipes. If refrigerant shoots out, it may ignite or cause eye injuries.

Defrosting the appliance

1. Turn the temperature controller to the coldest temperature approx. 3 hours before the defrosting to ensure that the food is thoroughly frozen.
2. After 3 hours, switch off the appliance.
3. Take out the food and store it in a cool place. Place blocks of ice (if you have one) on the food.
4. Leave the appliance door open.
5. Put a wiping cloth in front of the appliance to collect water that might escape during the defrosting process.
6. Wait until the layer of ice can be removed.
7. Remove the layer of ice, clean the freezer compartment and wipe dry its inside.
8. Switch on the appliance and put the food back in.

Defrosting aids

To speed up the defrosting process, you can use a plastic scraper to remove the layer of ice.

Caution

Never use electrical appliances, defrosting sprays or open flames to defrost the freezer, e.g. heaters, steam-cleaning appliances, candles, oil lamps, etc. Do not place any saucepans containing hot water in the appliance in order to speed up the defrosting.

Cleaning the appliance

Caution

- Do not use gritty, acidic or chlorine-based cleaning agents or solvents.
- Do not use abrasive cleaning pads or sponges that may scratch surfaces. This may lead to corrosion of the metallic surfaces.
- Never clean the containers in the dishwasher. The parts may warp.

Proceed as follows:

1. Switch off the appliance before cleaning.
2. Unplug the appliance from the mains or switch off the circuit-breaker.
3. Take out the food and store it in a cool place. Place blocks of ice (if you have one) on the food.
4. Wait until the layer of frost has thawed out.
5. Clean the appliance with a soft cloth, lukewarm water, and a little pH-neutral washing-up liquid. The washing-up liquid solution must not be allowed to run into the evaporation tray through the drain hole.
6. Only wipe the door seal with clean water and then rub it until it is dry.

7. Clean the condenser, air intake and exhaust opening with a brush or vacuum cleaner.
8. Clean the drain hole with a cotton swab.
9. After cleaning, reconnect the appliance to the mains and switch it on.
10. Put the food back in.

Fittings

All the variable components of the appliance can be removed for cleaning (see section headed Fittings).

Smells

If you notice unpleasant smells:

1. Switch off the appliance.
2. Remove all food from the appliance.
3. Clean the inside of the appliance (see section headed Cleaning the appliance).
4. Clean all packaging.
5. Pack strongly smelling food in air-tight containers to prevent odours.
6. Switch on the appliance again.
7. Arrange the food.
8. After 24 hours, check again to see if the smells have reappeared.

Saving energy

- Install the appliance in a dry, well ventilated room. The appliance must be installed out of direct sunlight and away from heat sources (e.g. heating elements, cooker).
Use an insulating plate if necessary.
- Allow hot food and drinks to cool before placing them in the appliance.
- Place frozen food in the fridge compartment to defrost and utilise the low temperature of the frozen food to cool other food.
- Only open the appliance door for as short a time as possible.
- To prevent the food warming up quickly in the event of a power cut or a fault, place blocks of ice (if you have one) on the food.
- Make sure that the appliance door is always closed.
- The arrangement of the equipment parts shown in the section Getting to know the appliance requires the least amount of energy. Any other arrangements can result in higher energy consumption.
- To prevent increased power consumption, occasionally clean the air vent with a soft brush or vacuum cleaner.

Operating noises

Completely normal noises

Humming

Motors running (e.g. refrigeration units, ventilator).

Bubbling, whirring or gurgling noises

Refrigerant circulating through the pipes.

Clicking

Motors, switches or solenoid valves are switching on/off.

Preventing noises

The appliance is not standing straight

Make sure the appliance is exactly aligned by using a spirit level. To adjust the position of the appliance, use the adjustable feet or place something underneath.

The appliance is touching adjacent units or appliances

Move the appliance away from adjacent furniture or appliances.

Containers or shelves are wobbling or sticking

Check the removable parts and re-insert them if necessary.

Containers are touching

Move the containers apart slightly.

Rectifying minor faults yourself

Before calling After-sales Service:

Check whether you can rectify the fault yourself by using the notes below.

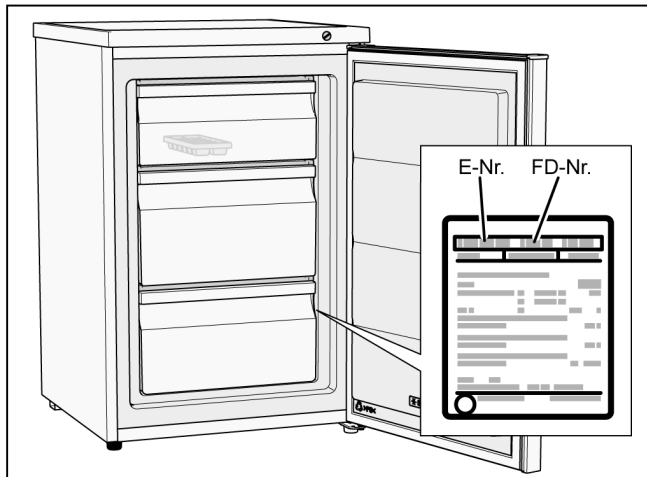
You must pay the cost of the After-sales Service call out – even during the guarantee period.

Problem	Possible cause	Remedy
Appliance is not cooling/ freezing.	Power cut.	Check whether there is power to the appliance.
	Circuit-breaker is switched off.	Check circuit-breaker.
	Power plug not properly plugged in.	Check whether power plug is properly plugged in.
The refrigeration unit switches on with increasing frequency and for longer periods.	The appliance door is being opened frequently.	Do not open the appliance door unnecessarily.
	The ventilation openings are covered.	Remove any obstructions.
	Placing large quantities of food in the appliance.	Set a lower temperature.
	The temperature setting is too low.	Set a higher temperature.
The freezer compartment is too warm.	The appliance door is being opened frequently.	Do not open the appliance door unnecessarily.
	Placing large quantities of food in the appliance.	Set a lower temperature.
	The temperature setting is too high.	Set a lower temperature.
	The appliance is too close to a heat source or the ambient temperature is too warm.	See section headed Installing the appliance.
The freezer compartment is too cold.	The temperature setting is too low.	Set a higher temperature.
Unpleasant smells are noticeable.	Strongly smelling food not packed in air-tight containers.	Clean the appliance. Pack strongly smelling food in air-tight containers (see section headed Smells).
In the appliance a layer of ice is forming.	The ventilation openings are covered.	Remove any obstructions.
	The appliance door was not closed completely.	Close the appliance door completely.
	The door seal is dirty.	Clean the door seal. See section headed Cleaning the appliance.
The appliance door can only be closed with difficulty.	Food prevent the door from closing correctly.	Remove any obstructions.
	The appliance is not aligned.	Align the appliance with a spirit level. See section headed Aligning the appliance.
After a cooler temperature was set, the cooling machine does not switch on immediately.	This is normal, there is no fault.	
On the appliance bottom water has accumulated.	The drain hole is plugged.	Clean the drain hole with a cotton swab. See section headed Cleaning the appliance.

After-sales Service

You can find your local After-sales Service centre in the phone book or the After-sales Service directory. Please quote the product number (E-Nr.) and production number (FD-Nr.) of your appliance.

You will find this information on the rating plate.



Please help us to avoid unnecessary journeys by quoting the appliance and production number. By doing so, you will save any associated additional charges.

Booking a repair call-out and advice on faults

The After-sales Service contact details for all countries are listed in the attached After-sales Service directory.

GB	0344 892 8979	Calls charged at local or mobile rate.
IE	01450 2655	0.03 € per minute at peak. Off peak 0.0088 € per minute.
US	800 944 2904	toll-free



Thank you for buying a Bosch Home Appliance!

Register your new device on MyBosch now and profit directly from:

- **Expert tips & tricks for your appliance**
- **Warranty extension options**
- **Discounts for accessories & spare-parts**
- **Digital manual and all appliance data at hand**
- **Easy access to Bosch Home Appliances Service**

Free and easy registration – also on mobile phones:
www.bosch-home.com/welcome



Looking for help? You'll find it here.

Expert advice for your Bosch home appliances, need help with problems or a repair from Bosch experts.

Find out everything about the many ways Bosch can support you:

www.bosch-home.com/service

Contact data of all countries are listed in the attached service directory.

Bosch Home Appliance Group

P.O. Box 83 01 01

D-81701 Munich

Germany

www.bosch-home.com



8001113193 (0010)

en