



BOSCH



Register your
new device on
MyBosch now and
get free benefits:
[bosch-home.com/
welcome](https://www.bosch-home.com/welcome)

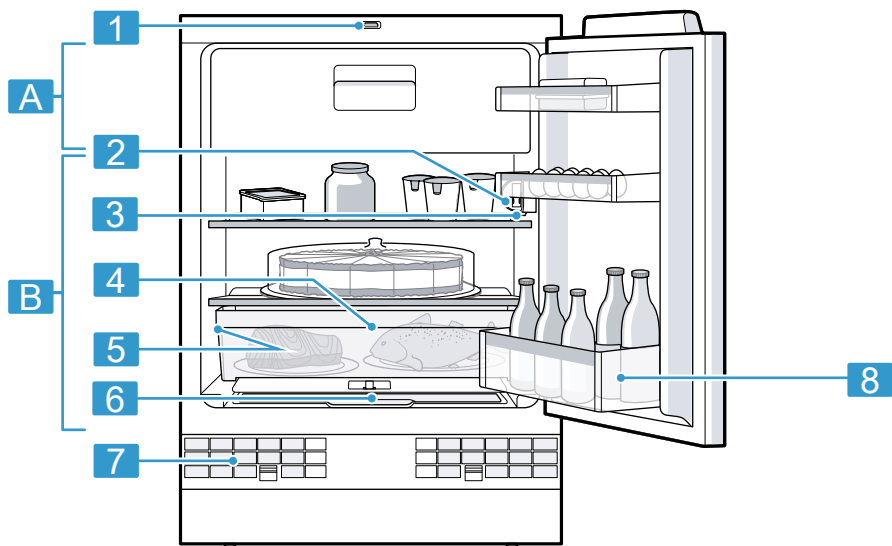
Fridge-freezer

KUL..

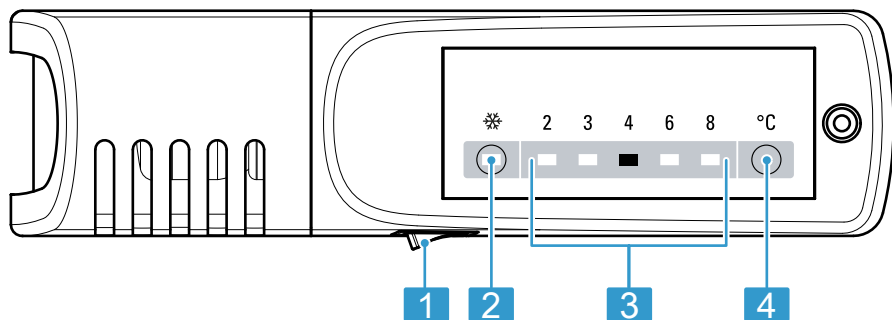
[en] User manual
[zh-hk] 使用手冊

Fridge-freezer
組合式冷凍冷藏冰箱

5
26



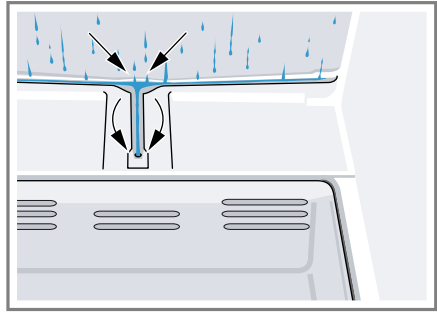
1



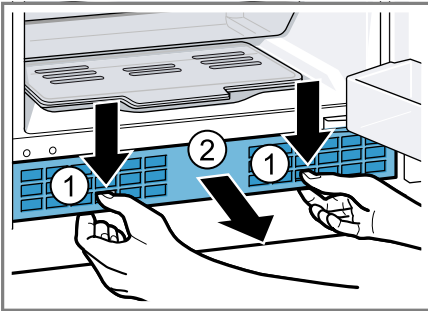
2



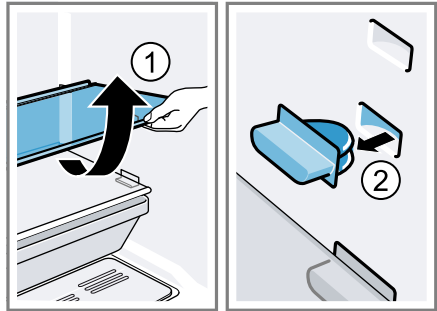
3



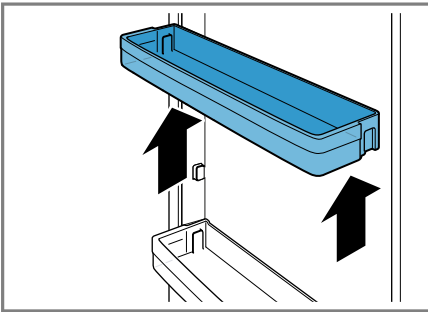
4



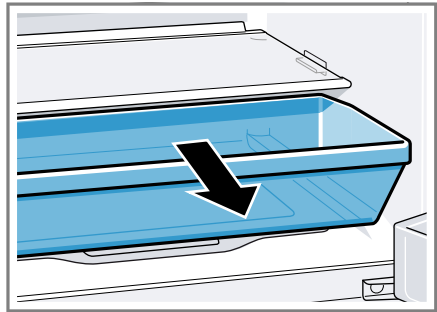
5



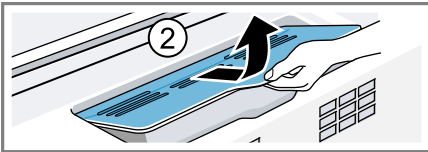
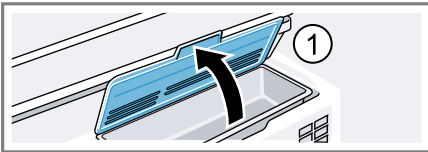
6



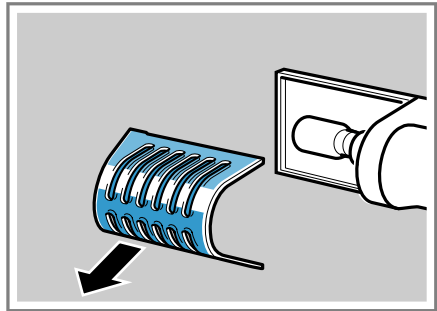
7



8



9



10



11

Table of contents

1 Safety	7	8 Additional functions	16
1.1 General information.....	7	8.1 Super freezing	16
1.2 Intended use.....	7	9 Refrigerator compartment	16
1.3 Restriction on user group.....	7	9.1 Tips for storing food in the refrigerator compartment	16
1.4 Safe transport.....	7	9.2 Chill zones in the refrigerator compartment	17
1.5 Safe installation	8	9.3 "OK" sticker	17
1.6 Safe use	9	10 Freezer compartment	17
1.7 Damaged appliance	11	10.1 Freezer compartment door	17
2 Preventing material damage	12	10.2 Freezing capacity	17
3 Environmental protection and saving energy	12	10.3 Tips for storing food in the freezer compartment	18
3.1 Disposing of packaging	12	10.4 Tips for freezing fresh food ...	18
3.2 Saving energy.....	12	10.5 Shelf life of frozen food at -18 °C.....	18
4 Installation and connection	12	10.6 Defrosting methods for frozen food	18
4.1 Scope of delivery.....	12	11 Defrosting	19
4.2 Criteria for the installation location.....	13	11.1 Defrosting in the refriger- ator compartment.....	19
4.3 Installing the appliance	13	11.2 Defrosting in the freezer compartment	19
4.4 Preparing the appliance for the first time.....	13	12 Cleaning and servicing	19
4.5 Connecting the appliance to the electricity supply.....	13	12.1 Preparing the appliance for cleaning	19
5 Familiarising yourself with your appliance	14	12.2 Cleaning the appliance	20
5.1 Appliance	14	12.3 Cleaning the condensation channel and drainage hole	20
5.2 Control panel.....	14	12.4 Cleaning the ventilation grille.....	20
6 Features	14	12.5 Removing the fittings.....	21
6.1 Shelf.....	14	13 Troubleshooting	22
6.2 Pull-out container.....	14	13.1 Power failure.....	24
6.3 Fruit and vegetable con- tainer with cover	14	14 Storage and disposal	24
6.4 Door rack.....	15	14.1 Taking the appliance out of operation	24
6.5 Accessories.....	15	14.2 Disposing of old appliance	24
7 Basic operation	15		
7.1 Switching on the appliance	15		
7.2 Operating tips.....	15		
7.3 Switching off the appliance	15		
7.4 Setting the temperature.....	16		

en

15 Customer Service..... 25

15.1 Product number (E-Nr.) and
production number (FD)..... 25

16 Technical data 25



1 Safety

Observe the following safety instructions.

1.1 General information

- Read this instruction manual carefully.
- Keep the instruction manual and the product information safe for future reference or for the next owner.
- Do not connect the appliance if it has been damaged in transit.

1.2 Intended use

Only use this appliance:

- for chilling and freezing food and for making ice cubes.
- In private households and in enclosed spaces in a domestic environment.
- Up to an altitude of max. 2000 m above sea level.

1.3 Restriction on user group

This appliance may be used by children aged 8 or over and by people who have reduced physical, sensory or mental abilities or inadequate experience and/or knowledge, provided that they are supervised or have been instructed on how to use the appliance safely and have understood the resulting dangers.

Children must not play with the appliance.

Cleaning and user maintenance must not be performed by children unless they are being supervised.

1.4 Safe transport

WARNING – Risk of injury!

The high weight of the appliance may result in injury when lifted.

- ▶ Do not lift the appliance on your own.

1.5 Safe installation

WARNING – Risk of electric shock!

Incorrect installation is dangerous.

- ▶ Connect and operate the appliance only in accordance with the specifications on the rating plate.
- ▶ Connect the appliance to a power supply with alternating current only via a properly installed socket with earthing.
- ▶ The protective conductor system of the domestic electrical installation must be properly installed.
- ▶ Never equip the appliance with an external switching device, e.g. a timer or remote control.
- ▶ When the appliance is installed, the mains plug of the power cord must be freely accessible. If free access is not possible, an all-pole isolating switch must be installed in the permanent electrical installation according to the installation regulations.
- ▶ When installing the appliance, check that the power cable is not trapped or damaged.

If the insulation of the power cord is damaged, this is dangerous.

- ▶ Never let the power cord come into contact with heat sources.

WARNING – Risk of explosion!

If the appliance's ventilation openings are sealed, a leak in the refrigeration circuit may result in a flammable mixture of gas and air.

- ▶ Keep ventilation openings, in the appliance enclosure or in the built-in structure, clear of obstruction.

WARNING – Risk of fire!

It is dangerous to use an extended power cord and non-approved adapters.

- ▶ Do not use extension cables or multiple socket strips.
- ▶ If the power cord is too short, contact Customer Service.
- ▶ Only use adapters approved by the manufacturer.

Portable multiple socket strips or portable power supply units may overheat and cause a fire.

- ▶ Do not place portable multiple socket strips or power supply units on the back of the appliance.

1.6 Safe use

⚠ WARNING – Risk of suffocation!

Children may put packaging material over their heads or wrap themselves up in it and suffocate.

- ▶ Keep packaging material away from children.
- ▶ Do not let children play with packaging material.

Children may breathe in or swallow small parts, causing them to suffocate.

- ▶ Keep small parts away from children.
- ▶ Do not let children play with small parts.

⚠ WARNING – Risk of explosion!

If the cooling circuit is damaged, flammable refrigerant may escape and explode.

- ▶ To accelerate the defrosting process, do not use any other mechanical devices or means other than those recommended by the manufacturer.
- ▶ If food is stuck to the freezer compartment, loosen it with a blunt implement such as the handle of a wooden spoon.

Products which contain flammable propellants and explosive substances may explode, e.g. spray cans.

- ▶ Do not store products which contain flammable propellants (e.g. spray cans) or explosive substances in the appliance.

⚠ WARNING – Risk of fire!

Electrical devices within the appliance may cause a fire, e.g. heaters or electric ice makers.

- ▶ Do not operate electrical devices within the appliance.
- The vapours from flammable liquids may catch fire (explosion).
- ▶ Store high-percentage alcohol tightly closed and standing up.

⚠ WARNING – Risk of injury!

Containers that contain carbonated drinks may burst.

- ▶ Do not store containers that contain carbonated drinks in the freezer compartment.

Injury to the eyes caused by escaping flammable refrigerant and hazardous gases.

- ▶ Do not damage the tubes of the refrigerant circuit or the insulation.

⚠ WARNING – Risk of cold burns!

Contact with frozen food and cold surfaces may cause burns by refrigeration.

- ▶ Never put frozen food straight from the freezer compartment into your mouth.
- ▶ Avoid prolonged contact of the skin with frozen food, ice and surfaces in the freezer compartment.

⚠ CAUTION – Risk of harm to health!

To prevent food from being contaminated, you must observe the following instructions.

- ▶ If the door is open for an extended period of time, this may lead to a considerable temperature increase in the compartments of the appliance.
- ▶ Regularly clean the surfaces that may come into contact with food and accessible drain systems.
- ▶ Store raw meat and fish in suitable containers in the refrigerator so that they do not touch or drip on other food.
- ▶ If the fridge/freezer is empty for an extended period of time, switch off the appliance, defrost it, clean it and leave the door open to prevent the formation of mould.

Metal or metal-style parts in the appliance may contain aluminium. If acidic food comes into contact with aluminium in the appliance, aluminium foil ions may pass into the food.

- ▶ Do not consume soiled food.

1.7 Damaged appliance

WARNING – Risk of fire!



If the tubes are damaged, flammable refrigerant and harmful gases may escape and ignite.

- ▶ Keep naked flames and ignition sources away from the appliance.
- ▶ Ventilate the room.
- ▶ Switch off the appliance. → *Page 15*
- ▶ Unplug the appliance from the mains or switch off the circuit breaker in the fuse box.
- ▶ Call after-sales service. → *Page 25*

2 Preventing material damage

ATTENTION!

Using the base, runners or appliance doors as a seat surface or climbing surface may damage the appliance.

- ▶ Do not stand or support yourself on the base, runners or doors.

Contamination with oil or fat may cause plastic parts and door seals to become porous.

- ▶ Keep plastic parts and door seals free of oil and grease.

Metal or metal-style parts in the appliance may contain aluminium. Aluminium reacts when it comes into contact with acidic foods.

- ▶ Do not store unpackaged food in the appliance.

3 Environmental protection and saving energy

3.1 Disposing of packaging

The packaging materials are environmentally compatible and can be recycled.

- ▶ Sort the individual components by type and dispose of them separately.

3.2 Saving energy

If you follow these instructions, your appliance will use less power.

Selecting the installation location

- Keep the appliance out of direct sunlight.
- Install the appliance as far away as possible from heating elements, cookers and other heat sources:

- Maintain a 30 mm clearance to electric or gas cookers.
- Maintain a 300 mm clearance to oil or solid-fuel cookers.
- Never cover or block the exterior ventilation grilles.

Saving energy during use

Note: The arrangement of the fittings does not affect the energy consumption of the appliance.

- Open the appliance only briefly and then close it carefully.
- Never cover or block the interior ventilation openings or the exterior ventilation grilles.
- Transport purchased food in a cool bag and place in the appliance quickly.
- Allow warm food and drinks to cool down before storing them.
- Thaw frozen food in the refrigerator compartment to utilise the low temperature of the food.
- Always leave some space between the food and to the back panel.
- Defrost the freezer compartment regularly.
- Open the freezer compartment door only briefly and then close it properly.

4 Installation and connection

4.1 Scope of delivery

After unpacking all parts, check for any transport damage and for completeness of delivery.

If you have any complaints, contact your dealer or our after-sales service → *Page 25*.

The delivery consists of the following:



- Built-under appliance

- Equipment and accessories¹
- Installation instructions
- User manual
- Customer service directory
- Warranty enclosure²
- Energy label
- Information on energy consumption and noises

4.2 Criteria for the installation location

WARNING **Risk of explosion!**

If the appliance is in a space that is too small, a leak in the refrigeration circuit may result in a flammable mixture of gas and air.



- ▶ Only install the appliance in a space with a volume of at least 1 m³ per 8 g refrigerant. The volume of refrigerant is indicated on the rating plate. → Fig.  / 

The weight of the appliance ex works may be up to 35 kg depending on the model.

The subfloor must be sufficiently stable to bear the weight of the appliance.

Permitted room temperature

The permitted room temperature depends on the appliance's climate class.

The climate class can be found on the rating plate. → Fig.  / 

Climate class	Permitted room temperature
SN	10 °C to 32 °C
N	16 °C to 32 °C
ST	16 °C to 38 °C

Climate class	Permitted room temperature
T	16 °C to 43 °C

The appliance is fully functional within the permitted room temperature.

If an appliance with climate class SN is operated at colder room temperatures, the appliance will not be damaged up to a room temperature of 5 °C.

Built-under

Attachment under certain worktops, e.g. stone, glass or stainless steel, is frequently not possible. You can order accessories from customer service for installation on the side walls. → "Customer Service", Page 25

4.3 Installing the appliance

- ▶ Install the appliance in accordance with the enclosed installation instructions.

4.4 Preparing the appliance for the first time

1. Remove the informative material.
2. Remove the protective foil and transit bolts, e.g. remove the adhesive strips and carton.
3. Clean the appliance for the first time. → Page 20

4.5 Connecting the appliance to the electricity supply

1. Insert the mains plug of the appliance's power cable in a socket nearby.

¹ Depending on the appliance specifications

² Not in all countries

en Familiarising yourself with your appliance

The connection data of the appliance can be found on the rating plate. → Fig. 1/5

2. Check the mains plug is inserted properly.
- ✓ The appliance is now ready for use.

5 Familiarising yourself with your appliance

5.1 Appliance

You can find an overview of the parts of your appliance here.

→ Fig. 1

A Freezer compartment
→ Page 17

B Refrigerator compartment
→ Page 16

1 Light switch → Page 22

2 Control panel → Page 14

3 Main switch

4 Pull-out container → Page 14

5 Rating plate → Page 25

6 Fruit and vegetable container

7 Exterior ventilation grille
→ Page 20

8 Door storage compartment
for large bottles → Page 15

Note: Deviations between your appliance and the diagrams may differ with regard to their features and size.

5.2 Control panel

You can use the control panel to configure all functions of your appliance and to obtain information about the operating status.

→ Fig. 2

1 The main switch turns the appliance on or off.

2 ❄ switches Super freezing on or off.

3 Displays the set temperature for the refrigerator compartment in °C.

4 °C sets the temperature of the refrigerator compartment.

6 Features

The features of your appliance depend on the model.

6.1 Shelf

To vary the shelf as required, you can remove the shelf.

→ "Removing the shelf", Page 21

Re-position the stoppers on both sides and re-insert the shelf.

6.2 Pull-out container

Store animal-based food in the pull-out container. You can take out the pull-out container for loading and unloading. → Page 21

6.3 Fruit and vegetable container with cover

Store fresh fruit and vegetables loose in the fruit and vegetable container. Cover any chopped fruit and vegetables, or store in air-tight packaging.

Remove the fruit and vegetable container for loading and unloading.

→ *Page 21*

Condensation may form in the fruit and vegetable container depending on the food and quantity stored.

Remove the condensation with a dry cloth.

To ensure that the quality and aroma are retained, store fruit and vegetables that are sensitive to cold outside of the appliance at temperatures of approx. 8 °C to 12 °C, e.g. pineapple, bananas, citrus fruits, cucumbers, courgettes, peppers, tomatoes and potatoes.

6.4 Door rack

To adjust the door racks as required, you can remove the door rack and re-insert elsewhere.

→ *"Removing door rack", Page 21*

6.5 Accessories

Use original accessories. These have been made especially for your appliance.

The accessories for your appliance depend on the model.

Egg tray

Store eggs safely on the egg tray.

Bottle holder

The bottle holder prevents bottles from falling over when the appliance door is opened and closed.

→ *Fig. 3*

Ice cube tray

Use the ice cube tray to make ice cubes.

Making ice cubes

Use only drinking water to make ice cubes.

1. Fill the ice cube tray with drinking water up to $\frac{3}{4}$ and place in the freezer compartment.

If the ice cube tray is stuck to the freezer compartment, loosen it with a blunt implement only (e.g. spoon handle).

2. To loosen the ice cubes, twist the ice cube tray slightly or hold it briefly under flowing water.

7 Basic operation

7.1 Switching on the appliance

1. Switch on the appliance at the main switch. → *Fig. 1/3*
 - ✓ The appliance begins to cool.
 - ✓ The temperature display flashes until the appliance has reached the set temperature.
2. Set the required temperature. → *Page 16*

7.2 Operating tips

- Once you have switched on the appliance, the set temperature is only reached after several hours. Do not put any food in the appliance until the set temperature has been reached.
- When you close the door, a vacuum may be created. The door is then difficult to open again. Wait a moment until the vacuum is offset.

7.3 Switching off the appliance

- ▶ Switch off the appliance at the main switch. → *Fig. 1/3*

7.4 Setting the temperature

Setting the refrigerator compartment temperature

- ▶ Press °C repeatedly until the temperature display shows the required temperature.

The recommended temperature in the refrigerator compartment is 4 °C.

→ *"OK" sticker*, Page 17

Setting the freezer compartment temperature

- ▶ In order to set the freezer compartment temperature, change the refrigerator compartment temperature → Page 16.

The refrigerator compartment temperature influences freezer compartment temperature. Refrigerator compartment temperatures that are set to warm generate warmer freezer compartment temperatures.

8 Additional functions

8.1 Super freezing

With Super freezing, the freezer compartment cools as cold as possible. Switch on Super freezing four to six hours before placing food weighing 2 kg or more into the freezer compartment.

In order to utilise the freezer capacity, use Super freezing.

→ *"Prerequisites for freezing capacity"*, Page 17

Note: When Super freezing is switched on, increased noise may occur.

Switching on Super freezing

- ▶ Press ❄.
- ✓ ❄ lights up.

Note: After approx. 48 hours, the appliance switches to normal operation.

Switching off Super freezing

- ▶ Press ❄.

9 Refrigerator compartment

You can keep meat, sausage, fish, dairy products, eggs, prepared meals and pastries in the refrigerator compartment.

The temperature can be set from 2 °C to 8 °C.

The refrigerator compartment can also be used to store highly perishable foods in the short to medium term. The lower the selected temperature, the longer the food remains fresh.

9.1 Tips for storing food in the refrigerator compartment

- Only store food when fresh and undamaged.
- Store food covered or in air-tight packaging.
- Allow hot food and drinks to cool down first before placing in the appliance.
- Observe the best-before date or use-by date specified by the manufacturer.

9.2 Chill zones in the refrigerator compartment

The air circulation in the refrigerator compartment creates different chill zones.

Coldest zone

The coldest zone is in the pull-out container.

Tip: Store highly perishable food such as fish, sausages and meat in the coldest zone.

Warmest zone

The warmest zone is at the very top of the door.

Tip: Store food that does not spoil easily in the warmest zone, e.g. hard cheese and butter. Cheese can then continue to release its aroma and the butter will still be easy to spread.

9.3 "OK" sticker

The "OK" sticker lets you check whether the refrigerator compartment reaches the safe temperature ranges of +4 °C or colder recommended for food.

The "OK" sticker is not included with all models.

If the sticker does not indicate "OK", gradually reduce the temperature.

→ *"Setting the refrigerator compartment temperature", Page 16*

Once the appliance is switched on, it may take up to 12 hours until the set temperature is reached.



Correct setting

10 Freezer compartment

You can store frozen food, freeze food and make ice cubes in the freezer compartment.

The temperature in the freezer compartment depends on the temperature in the refrigerator compartment. Long-term storage of food should be at -18 °C or lower.

The freezer compartment can be used to store perishable food long-term. The low temperatures slow down or stop the spoilage.

10.1 Freezer compartment door

To ensure that the frozen food that is stored does not thaw and the freezer compartment is not covered in too much ice, always close the freezer compartment door.

Note: When you close the freezer compartment door, you can hear it engaging.

10.2 Freezing capacity

The freezing capacity indicates the quantity of food that can be frozen right through to the centre within a specific period of time.

Information on freezing capacity can be found on the rating plate.

→ Fig. 1/5

Prerequisites for freezing capacity

1. When placing fresh food in the appliance, switch on Super freezing.
→ *"Switching on Super freezing", Page 16*
2. Place the food as close as possible to the back wall of the freezer compartment.

10.3 Tips for storing food in the freezer compartment

- Store food in air-tight packaging.
- Do not bring food which is to be frozen into contact with frozen food.
- Spread out the food over a wide area in the freezer compartment.

10.4 Tips for freezing fresh food

- Freeze fresh and undamaged food only.
- Freeze food in portions.
- Cooked food is more suitable than food that can be eaten raw.
- Vegetables: Wash, chop up and blanch before freezing.
- Fruit: Wash, pit and perhaps peel, possibly add sugar or ascorbic acid solution.
- Food that is suitable for freezing includes baked items, fish and seafood, meat, game, poultry, eggs without shells, cheese, butter and quark, ready meals and leftovers.
- Food that is unsuitable for freezing includes lettuce, radishes, eggs in shells, grapes, raw apples and pears, yoghurt, sour cream, crème fraîche and mayonnaise.

Packing frozen food

If you select suitable packaging material and the correct type of packaging, you can determine the product quality and prevent freezer burn.

1. Place the food in the packaging.
2. Squeeze out the air.
3. Pack food airtight to prevent it from losing flavour and drying out.
4. Label the packaging with the contents and the date of freezing.

10.5 Shelf life of frozen food at -18 °C

Food	Storage time
Fish, sausages, prepared meals and baked goods	up to 6 months
Poultry, meat	up to 8 months
Vegetables, fruit	up to 12 months

10.6 Defrosting methods for frozen food

CAUTION

Risk of harm to health!

During the thawing process, bacteria may multiply and spoil the frozen food.

- ▶ Do not refreeze food after it has been defrosted or started to defrost.
- ▶ Refreeze food only after cooking.
- ▶ These items should no longer be stored for the maximum storage period.
- Defrost animal-based food, such as fish, meat, cheese, quark, in the refrigerator compartment.
- Defrost bread at room temperature.
- Prepare food for immediate consumption in the microwave, in the oven or on the hob.

11 Defrosting

11.1 Defrosting in the refrigerator compartment

When the appliance is operating, condensation droplets or frost form on the rear panel of the refrigerator compartment due to functional reasons. The back panel in the refrigerator compartment defrosts automatically.

Condensation runs through the condensation channel into the drainage hole to the evaporation pan and does not have to be wiped away.

To ensure that the condensation can drain and odours do not form, observe the following information:

→ *"Cleaning the condensation channel and drainage hole", Page 20.*

11.2 Defrosting in the freezer compartment

The freezer compartment does not defrost automatically. A layer of hoarfrost in the freezer compartment impairs refrigeration of the frozen food and increases power consumption.

Defrosting the freezer compartment

Regularly defrost the freezer compartment.

1. Switch on Super freezing approx. four hours before defrosting.
→ *"Switching on Super freezing", Page 16*

This means that the food reaches very low temperatures and it can be stored for longer at room temperature.

2. Remove the frozen food and temporarily place it in a cool location. Wrap the frozen food with ice packs, if available, in coverings or newspaper.
3. Switch off the appliance.
→ *Page 15*
4. Disconnect the appliance from the power supply.
Unplug the appliance from the mains or switch off the circuit breaker in the fuse box.
5. To accelerate the defrosting process, place a pan of hot water on a trivet in the freezer compartment.
6. Wipe up the condensation water with a soft cloth or sponge.
7. Rub the freezer compartment dry with a soft, dry cloth.
8. Electrically connect the appliance.
9. Switch on the appliance.
→ *Page 15*
10. Put the frozen food in the appliance. → *Page 18*

12 Cleaning and servicing

To keep your appliance working efficiently for a long time, it is important to clean and maintain it carefully. Customer Service must clean inaccessible points. Cleaning by customer service can give rise to costs.

12.1 Preparing the appliance for cleaning

1. Switch off the appliance.
→ *Page 15*
2. Disconnect the appliance from the power supply.
Unplug the appliance from the mains or switch off the circuit breaker in the fuse box.

en Cleaning and servicing

3. Take out all of the food and store it in a cool place.

Place ice packs (if available) onto the food.

4. If there is a layer of hoarfrost, allow this to defrost.
5. Remove all fittings and accessories from the appliance.
→ Page 21

12.2 Cleaning the appliance

WARNING

Risk of electric shock!

An ingress of moisture can cause an electric shock.

- ▶ Do not use steam- or high-pressure cleaners to clean the appliance.

Liquid in the lighting or in the controls can be dangerous.

- ▶ The rinsing water must not drip into the lighting or controls.

ATTENTION!

Unsuitable cleaning products may damage the surfaces of the appliance.

- ▶ Do not use hard scouring pads or cleaning sponges.
- ▶ Do not use harsh or abrasive detergents.
- ▶ Do not use cleaning products with a high alcohol content.

If liquid gets into the drainage hole, the evaporation pan may overflow.

- ▶ The rinsing water must not get into the drainage hole.

If you clean fittings and accessories in the dishwasher, this may cause them to become deformed or discoloured.

- ▶ Never clean fittings and accessory in the dishwasher.

1. Prepare the appliance for cleaning.
→ Page 19

2. Clean the appliance, the fittings, the accessories and the door seals with a dish cloth, lukewarm water and a little pH-neutral washing-up liquid.
3. Dry thoroughly with a soft, dry cloth.
4. Insert the fittings.
5. Electrically connect the appliance.
6. Switch on the appliance.
→ Page 15
7. Putting the food into the appliance.

12.3 Cleaning the condensation channel and drainage hole

Regularly clean the condensation channel and drainage hole to ensure that the condensation can drain.

1. Remove the pull-out container.
→ Page 21
2. Carefully clean the condensation channel and the drainage hole, e.g. using a moistened cotton bud.
→ Fig. 4

12.4 Cleaning the ventilation grille

1. Remove the exterior ventilation grille for cleaning.
 - To do this, depress the clips in the ventilation openings and simultaneously remove the exterior ventilation grille forwards.
→ Fig. 5
2. Clean the exterior ventilation grille with lukewarm soapy water and a dish cloth.
3. Let the exterior ventilation grille dry completely and insert it.

12.5 Removing the fittings

If you want to clean the fittings thoroughly, remove these from your appliance.

Removing the shelf

- ▶ Lift the shelf, pull it forwards and swivel it out to the side ① and remove the plugs ②.
→ Fig. **6**

Removing door rack

- ▶ Lift the door rack and remove it.
→ Fig. **7**

Removing pull-out containers

- ▶ Lift the pull-out container and remove it.
→ Fig. **8**

Remove the fruit and vegetable container with the lid

- ▶ Fold up the lid of the fruit and vegetable container ① and remove the fruit and vegetable container with lid towards the front ②.
→ Fig. **9**

13 Troubleshooting

You can rectify minor faults on your appliance yourself. Read the troubleshooting information before contacting after-sales service. This will avoid unnecessary costs.

Fault	Cause and troubleshooting
The LED lighting does not work.	<p>The illuminant is defective.</p> <ol style="list-style-type: none"> 1. Switch off the appliance. → <i>Page 15</i> 2. Disconnect the appliance from the mains. Unplug the appliance from the mains or switch off the circuit breaker in the fuse box. 3. Remove the illuminant cover to the left. → Fig. 10 4. Replace the illuminant. Replacement illuminant: 220–240 V AC, E14 bulb holder, see the defective illuminant's wattage.
The temperature differs greatly from the setting.	<p>The light switch is jammed.</p> <ul style="list-style-type: none"> ▶ Check whether the light switch can be moved. <p>→ Fig. 11</p> <hr/> <p>Different causes are possible.</p> <ol style="list-style-type: none"> 1. Switch off the appliance. → <i>Page 15</i> 2. Switch the appliance back on after five minutes. → <i>Page 15</i> <ul style="list-style-type: none"> – If the temperature is too warm, check the temperature again after a couple of hours. – If the temperature is too cold, check the temperature again on the following day.
The base of the refrigerator compartment is wet.	<p>The condensation channel or drainage hole are blocked.</p> <ul style="list-style-type: none"> ▶ Clean the condensation channel and the drainage hole. → <i>Page 20</i>
The appliance hums, bubbles, buzzes, gargles or clicks.	<p>Not a fault. A motor is running, e.g. refrigerating unit, fan. Refrigerant flows through the pipes. The motor, switches or solenoid valves are switching on or off. No action required.</p>
The appliance makes noises.	<p>Fittings wobble or stick.</p> <ul style="list-style-type: none"> ▶ Check the removable fittings and, if required, replace these. <hr/> <p>Bottles or containers are touching.</p> <ul style="list-style-type: none"> ▶ Move the bottles or containers away from each other.
	<p>Super freezing is switched on.</p>

Fault	Cause and troubleshooting
The appliance makes noises.	No action required.

13.1 Power failure

During a power failure, the temperature in the appliance rises; this reduces the storage time and the quality of the frozen food.

On the website for your appliance, the technical data provides you with the storage times for frozen food in the event of a fault.

Notes

- Open the appliance as little as possible during a power failure and do not place any other food in the appliance.
- Check the quality of the food immediately after a power failure.
 - Dispose of any frozen food that has defrosted and is hotter than 5 °C.
 - Cook or fry slightly thawed frozen food, and then either consume it or freeze it again.

14 Storage and disposal

You can find out here how to prepare your appliance for storage. You will also find out how to dispose of old appliances.

14.1 Taking the appliance out of operation

1. Switch off the appliance.
→ *Page 15*
2. Disconnect the appliance from the power supply.
Unplug the appliance from the mains or switch off the circuit breaker in the fuse box.
3. Remove all of the food.
4. Defrost the appliance. → *Page 19*
5. Clean the appliance. → *Page 20*

6. To guarantee the ventilation inside the appliance, leave the appliance open.

14.2 Disposing of old appliance

Valuable raw materials can be re-used by recycling.

WARNING

Risk of harm to health!

Children can lock themselves in the appliance, thereby putting their lives at risk.

- ▶ Leave shelves and containers inside the appliance to prevent children from climbing in.
- ▶ Keep children away from the redundant appliance.

WARNING

Risk of fire!

If the tubes are damaged, flammable refrigerant and harmful gases may escape and ignite.

- ▶ Do not damage the tubes of the refrigerant circuit or the insulation.
- ▶ Dispose of the appliance in an environmentally friendly manner.

Information about current disposal methods are available from your specialist dealer or local authority.



This appliance is labelled in accordance with European Directive 2012/19/EU concerning used electrical and electronic appliances (waste electrical and electronic equipment - WEEE). The guideline determines the framework for the return and recycling

of used appliances as applicable throughout the EU.

15 Customer Service

If you have any queries, are unable to rectify faults on the appliance yourself or if your appliance needs to be repaired, contact Customer Service. Detailed information on the warranty period and terms of warranty in your country is available from our after-sales service, your retailer or on our website.

If you contact Customer Service, you will require the product number (E-Nr.) and the production number (FD) of your appliance.

The contact details for Customer Service can be found in the enclosed Customer Service directory or on our website.

15.1 Product number (E-Nr.) and production number (FD)

You can find the product number (E-Nr.) and the production number (FD) on the appliance's rating plate.

→ Fig. 1/5

Make a note of your appliance's details and the Customer Service telephone number to find them again quickly.

16 Technical data

Refrigerant, cubic capacity and further technical specifications can be found on the rating plate.

→ Fig. 1/5

目錄

1 安全性	27	9 冷藏室	34
1.1 一般提示說明	27	9.1 將食物存放到冷藏室的秘訣	34
1.2 使用須知	27	9.2 冷藏室裡的冷卻區	34
1.3 用戶限制	27	9.3 OK 標籤	34
1.4 運送的安全性	27	10 冷凍室	35
1.5 安裝的安全性	27	10.1 冷凍室門	35
1.6 使用安全性	28	10.2 冷凍能力	35
1.7 裝置損壞	29	10.3 將食物存放到冷凍室的秘訣	35
2 避免財物損失	31	10.4 冷凍新鮮食物的秘訣	35
3 環境保護和節省資源	31	10.5 冷凍物品在 -18 °C 下的保 存時間	35
3.1 廢棄包裝膠袋處理	31	10.6 冷凍物品的解凍方式	36
3.2 節約能源	31	11 除霜	36
4 安裝和接駁	31	11.1 冷藏室除霜	36
4.1 出貨內容物清單	31	11.2 冷凍室除霜	36
4.2 安裝地點考量要件	32	12 清潔和護理	36
4.3 安裝設備	32	12.1 清潔機器的事前準備工作	36
4.4 第一次使用本裝置的事前準備 工作	32	12.2 清潔機器	36
4.5 接通機器電源	32	12.3 清潔冷凝水排放通道和排水 孔	37
5 了解您的電器	32	12.4 清潔通風格柵	37
5.1 設備	32	12.5 取出配件	37
5.2 操作面板	33	13 排除故障	38
6 配置	33	13.1 停電	39
6.1 層架	33	14 存放和廢棄處理	39
6.2 抽拉式存放盒	33	14.1 將本機停止運轉	39
6.3 含蓋蔬果盒	33	14.2 舊機處理	39
6.4 門邊置物架	33	15 客戶服務	39
6.5 配件	33	15.1 產品編號 (E-Nr.) 和生產編 號 (FD)	39
7 基本操作	33	16 技術資料	40
7.1 開機	33		
7.2 操作注意事項	33		
7.3 關機	34		
7.4 設定溫度	34		
8 附加功能	34		
8.1 Super (急速) 冷凍	34		



1 安全性

請注意以下的安全須知。

1.1 一般提示說明

- 請仔細閱讀本說明書。
- 請妥善保管本手冊和產品資訊，以備日後查閱或提供給下一位使用者。
- 如本設備於運送途中受損，切勿安裝。

1.2 使用須知

本電器只能用於以下用途：

- 用來冷藏和冷凍食物以及製作冰塊。
- 僅限私人家庭和居家環境的室內區域。
- 本機可在海拔最高 2000 米以下的環境使用。

1.3 用戶限制

凡年滿 8 歲的孩童，身體、感官或智力有缺陷及缺乏相關操作經驗人士，必須在負責其安全的人員監督下或了解設備安全及相關危險的人員指導下才可使用本機。

請勿讓孩童將本設備當作玩具玩耍。

孩童除非在監督下，否則不得進行清潔及護理的工作。

1.4 運送的安全性

警告 – 受傷風險!

抬起機器時，沈重的重量可能會造成受傷。

- ▶ 請勿自行抬起機器。

1.5 安裝的安全性

警告 – 觸電風險!

安裝不當可能導致危險。

- ▶ 僅限按家電銘牌所提供之資訊接駁並運行本機。
- ▶ 僅限透過按規定安裝接地保護的插座將本機接駁到帶有交流電的主電源。
- ▶ 房屋電路安裝的接地系統必須按規定進行安裝。

- ▶ 切勿透過定時器或遙控器等外部開關裝置為本機供電。
 - ▶ 本機安裝完成後，必須可以隨手插入或拔除電源插頭，或者若無法隨手插入或拔除插頭，必須根據過電壓類別 III 和安裝規定的要求，在進行固定的電路安裝時應安裝全相的切斷裝置。
 - ▶ 安裝機器時，請確保電源線未被夾住或受到損壞。
- 電源線絕緣層若損壞可能發生危險。
- ▶ 請勿將電源線靠近發熱的熱源。

⚠ 警告 – 爆炸風險!

若關閉本設備的通風口，製冷循環迴路萬一發生洩漏時，燃氣和空氣可能會形成易燃的混合體。

- ▶ 請勿關閉設備外殼或機身內部的通風口。

⚠ 警告 – 火災風險!

使用電源延長線和未經授權的轉接器可能發生危險。

- ▶ 請勿使用電源延長線或拖板。
 - ▶ 若電源線太短，請聯絡客戶服務。
 - ▶ 僅限使用製造商授權的轉接器。
- 便攜式多位插座或電源可能會過熱並導致火災。
- ▶ 便攜式多位插座或電源不可置於裝置背面。

1.6 使用安全性

⚠ 警告 – 窒息風險!

孩童有可能用包裝膠袋將頭部套住或將自己纏住而造成窒息。

- ▶ 請確保孩童遠離包裝膠袋。
- ▶ 請勿讓孩童玩耍包裝膠袋。

孩童可能會吸入或吞食小型零件而造成窒息。

- ▶ 請確保孩童遠離小型零件。
- ▶ 切勿讓孩童用小型零件玩耍。

⚠ 警告 – 爆炸風險!

若製冷劑迴路損壞，則易燃的製冷劑可能會溢出並爆炸。

- ▶ 切勿使用其他機械設備或非製造商建議使用的工具，來加速除霜。
- ▶ 用鈍物鬆開冷凍食品，例如木匙。

噴罐及其他內含易燃推進氣體和易爆物質的物品有發生爆炸的危險。

- ▶ 請勿將內含易燃推進氣體及易爆物質的物品存放在本裝置內。

⚠ 警告 – 火災風險!

在本裝置內使用電器（例如熱水器或製冰器），該電器可能起火燃燒。

- ▶ 切勿在本裝置內使用電器。
- ▶ 易燃液體揮發成蒸氣狀後可能會自燃（爆燃）。
- ▶ 高濃度的酒類需確實密封且直立放置。

⚠ 警告 – 受傷風險!

罐裝的碳酸飲料可能有爆裂的危險。

- ▶ 請勿將罐裝的碳酸飲料儲存在冷凍室。
- ▶ 外洩的易燃冷媒及有害氣體會損害眼睛。
- ▶ 請勿損壞冷媒迴路的配管及絕緣體。

⚠ 警告 – 凍傷風險!

觸碰冷凍物品及低溫表面可能會凍傷。

- ▶ 請勿立即食用從冷凍室取出的冷凍食品。
- ▶ 避免皮膚長時間接觸冷凍室的冷凍食品、冰塊以及任何表面。

⚠ 小心 – 危害健康的風險!

為避免食品受到污染，請遵照以下指示。

- ▶ 若長時間開啟雪櫃門，裝置的儲物格內部的溫度可能會大幅回升。
- ▶ 請定期清潔會與食物接觸到的表面以及可觸及範圍內的排流設備。
- ▶ 生肉和生魚先裝入合適的容器內再放冰箱，以避免接觸到其他食物或其血水滴落至其他食物上。
- ▶ 若長時間不使用雪櫃 / 冰櫃，請關掉電源、進行除霜和清潔，並打開櫃門，以預防發霉。

設備內的金屬材質或金屬外觀的部件可能含有鋁合金成份。酸性食物若接觸到鋁合金部件，可能會令鋁離子轉移至食物中。

- ▶ 請勿食用受到污染的食物。

1.7 裝置損壞

⚠ 警告 – 火災風險!



若是管路損壞，則易燃冷媒及有害氣體可能會因外洩而自燃。

- ▶ 請移除機器周圍的明火或火源。
- ▶ 請保持室內通風。

- ▶ 關掉電源。 → 頁次34
- ▶ 拔除電源線插頭或關閉保險絲盒中的保險絲。
- ▶ 請聯絡客戶服務。 → 頁次39

2 避免財物損失

注意！

坐在 / 倚靠底座、儲存室或雪櫃門等處或藉這些部分攀高，可能令本裝置受損。

- ▶ 請勿倚靠或踏在底座、儲存室或雪櫃門上。

油污可能會將塑膠零件及雪櫃門封條侵蝕出許多細微孔洞。

- ▶ 請保持塑膠零件及雪櫃門封條處無油脂。

設備的金屬材質或表面具有金屬材質效果的部份可能含鋁。鋁若接觸酸性食物，會產生化學反應。

- ▶ 請勿在本設備內存放未包裝的食物。

3 環境保護和節省資源

3.1 廢棄包裝膠袋處理

包裝膠袋符合環保要求且可回收。

- ▶ 請分類處理各組件。

3.2 節約能源

若您注意此提示說明，機器的耗電量將會更低。

選擇安裝地點

- 設備應避免陽光直射。
- 安裝設備的地點應盡量遠離加熱器、爐灶以及其他熱源：
 - 與電磁爐或瓦斯爐需保持 30 毫米的距離。
 - 與油爐或煤爐需保持 300 毫米的距離。
- 切勿遮蔽外部通風格柵或任其堵塞。

以節約能源方式使用本裝置

備註 配件安裝位置不得影響設備的能源消耗。

- 本電器開動的時間不可過久並且應小心關掉。
- 切勿遮蔽內部通風口或機台外部的通風格柵或任其堵塞。
- 請從保冷袋取出購買的食物，並迅速放入本設備。
- 溫熱的食物和飲料請於冷卻後才放入。
- 放入冷藏室解凍的冷凍食品，可利用冷凍食品本身的低溫幫助冷藏室保持溫度。
- 請在食物和本機背板之間留有一定的空間。
- 請定期為冷凍室除霜。
- 本裝置開動的時間不可過久並且應小心關上。

4 安裝和接駁

4.1 出貨內容物清單

拆開包裝後，請檢查所有零件有否於運送途中受損以及交付的產品是否齊全。若發現有問題，請聯繫購買機器的供應商或者聯絡本公司的客戶服務 → 頁次 39。

產品清單包括：

- 下嵌式機器
- 配置與配件¹
- 安裝手冊
- 使用說明書
- 客戶服務目錄
- 保養卡²
- 能源標籤
- 關於耗電量和噪音的資訊

¹ 視乎電器的配置而定

² 只在特定國家/地區

4.2 安裝地點考量要件

警告 爆炸風險!

本裝置若是架設在狹小空間裡，製冷循環迴路萬一發生洩漏時，燃氣和空氣可能會形成易燃的混合體。

▶ 安裝本裝置時，必須達到每 8 g 冷媒至少能夠分配到 1 m³ 的空間。冷媒量資訊標示在家電銘牌上。

→  / 

機器的重量將視機型而定，出廠時最重可達 35 公斤。
安裝的地面必須足夠堅固，才能承受設備的重量。

允許的室內溫度

允許的室內溫度取決於機器的氣候類別。

氣候類別資料標示在家電銘牌上。

→  / 

氣候類別	允許的室內溫度
SN	10 °C...32 °C
N	16 °C...32 °C
ST	16 °C...38 °C
T	16 °C...43 °C

本機在所允許的室內溫度下，運轉功能才會齊全。

若要在室溫較低的地方安裝屬於氣候類別 SN 的機器，除非將室溫提高 5 °C，否則機器可能會損壞。

下嵌式

在石材、玻璃或不鏽鋼等特殊檯面下，通常無法固定安裝。可向客戶服務訂購側壁安裝的配件。

→ 「客戶服務」，頁次39



4.3 安裝設備

▶ 請按照隨附之安裝說明書安裝設備。

4.4 第一次使用本裝置的事前準備工作

1. 取出提供資訊的文件。
2. 拆除保護貼膜和搬運固定條，例如膠條和紙板。
3. 第一次清潔本裝置。 → 頁次36

4.5 接通機器電源

1. 將機器電源線的插頭插入機器附近的電源插座上。
本裝置的接駁資料均標示在家電銘牌上。 →  / 
2. 檢查電源插頭是否牢固。
✓ 本機已準備投入使用。

5 了解您的電器

5.1 設備

可在此查看您的電器相關組件。

→ 

	冷凍室 → 頁次35
	冷藏室 → 頁次34
	燈光開關 → 頁次38
	操作面板 → 頁次33
	電源開關
	抽拉式存放盒 → 頁次33
	家電銘牌 → 頁次40
	蔬果儲存盒
	外部通風格柵 → 頁次37
	門邊瓶架 → 頁次33

備註 機器的實際配置和尺寸可能與圖示有差異。

5.2 操作面板

透過操作元件設定設備的所有功能，並取得有關操作狀態的資訊。

→ 圖 2

- 1 總開關可啟動或關掉裝置的電源。
- 2 * 是用來啟動或關掉 Super (急速) 冷凍。
- 3 將以 °C 顯示冷藏室目前設定的溫度。
- 4 °C 可調整冷藏室的溫度。

6 配置

機器的配置視機型而定。

6.1 層架

若要依需求變換層架配置，您可取下層架。

→ 「取出層架」，頁次37

請挪動兩側的塞子並且重新裝入層架。

6.2 抽拉式存放盒

請將動物性食物存放於抽拉式存放盒內。若要存放或拿取物品，可取出抽拉式存放盒。→ 頁次37

6.3 含蓋蔬果盒

新鮮水果或蔬菜放在蔬果盒裡，無需包裝。

將切好的蔬果蓋上蓋子或裝入密封容器內存放。

存放或拿取時，請直接取出蔬果盒。

→ 頁次37

根據儲存量及儲存食物，蔬果盒可能形成冷凝水。

請用乾布擦拭冷凝水。

為能保持最佳品質和風味，易凍壞的蔬果應存放在本設備外，約 8 °C 至 12 °C 的溫度下，例如：菠蘿、香蕉、柑橘類、青瓜、節瓜、椒類、番茄和馬鈴薯。

6.4 門邊置物架

若要依需求變更門邊置物架配置，可取出門邊置物架 並將它重新插入至其他位置。

→ 「取出門邊置物架」，頁次37

6.5 配件

請使用原廠配件。其適用於您的設備。您的機器配件取決於機型而定。

蛋架

請將蛋放在蛋架上，以確保安全。

瓶罐夾

設備門開關時，瓶罐夾可防止瓶罐傾斜。

→ 圖 3

製冰盒

製冰盒可用來製作冰塊。

製作冰塊

只可使用飲用水製作冰塊。

1. 將飲用水倒入製冰盒內至 $\frac{3}{4}$ 滿，然後將它放入冷凍室。

只能使用鈍器鬆開凍硬的製冰盒（例如蜜糖棒）。

2. 只要將製冰盒沖一下水或稍微扭動，即可取出冰塊。

7 基本操作

7.1 開機

1. 請從總開關開機。→ 圖 1 / 3

✓ 設備啟動製冷。

✓ 溫度顯示器將持續閃爍，直到本設備達到設定的溫度。

2. 設定所需的溫度。→ 頁次34

7.2 操作注意事項

- 設備啟動電源後，需要好幾個小時才能達到所設定的溫度。未達設定溫度前，請勿放入食物。

- 關上門時，可能會形成負壓。機門很難重新打開。請稍候片刻，等待壓力達到平衡狀態。

7.3 關機

- ▶ 從總開關關機。→  / 3

7.4 設定溫度

設定冷藏室溫度

- ▶ 請重複按 °C，直到溫度顯示器上出現您想要設定的溫度。

冷藏室的建議溫度是 4 °C。

→ 「OK 標籤」，頁次34

設定冷凍室溫度

- ▶ 若要設定冷凍室溫度，請調整冷藏室溫度 → 頁次34。

冷藏室溫度會影響冷凍室溫度。冷藏室若設定較高溫度，也會讓冷凍室溫度變高。

8 附加功能

8.1 Super (急速) 冷凍

Super (急速) 冷凍 一旦被啟動，冷凍室會盡量降低溫度。

在您放入超過 2 公斤的食物到冰格之前，請讓 Super (急速) 冷凍 先啟動 4 至 6 小時。

若想充份發揮設備的冷凍能力，請您使用 Super (急速) 冷凍。

→ 「冷凍能力的先決條件」，頁次35

備註 若啟動 Super (急速) 冷凍，噪音會增加。

啟動 Super (急速) 冷凍

- ▶ 按一下 *。
- ✓ * 隨即亮起。

備註 本設備將在約 48 小時後繼續以正常模式運轉。

關閉 Super (急速) 冷凍

- ▶ 按下*。

9 冷藏室

冷藏室可存放肉類、香腸、魚、奶製品、蛋、準備好的菜餚和烘焙食品。溫度設定範圍為 2 °C 至 8 °C 之間。冷藏室可保存非常容易變質的食物一段時間。設定的溫度愈低，食物的保鮮時間就愈長。

9.1 將食物存放到冷藏室的秘訣

- 請只存放生鮮和完整的食物。
- 請將食物密封包裝或蓋好存放。
- 熱食和熱飲在放入冰箱前必須先冷卻。
- 請注意製造商提供的保存期限或使用期限。

9.2 冷藏室裡的冷卻區

空氣循環系統使冷藏室形成不同的冷卻區。

最冷的區域

最冷的區域是在抽拉式儲存盒。

提示： 請將容易腐爛的食物（例如魚、香腸和肉）儲存在最冷的區域。

最不冷的區域

最不冷的區域是在箱門整個上部。

提示： 請將不容易變質的食物存放在最不冷的區域，例如硬芝士和牛油。將芝士放在此處可使其風味更佳，牛油則更易塗抹。

9.3 OK 標籤

利用 OK 標籤 (確定)，可檢查冷藏室是否達到所建議的食品安全溫度範圍 +4 °C 以下。

並非所有機型都擁有 OK 標籤。若標籤未顯示 OK，應將溫度逐步降低。

→ 「設定冷藏室溫度」，頁次34

啟動機器後，至少需持續運轉 12 個小時，才能達到設定的溫度為止。



正確設定

10 冷凍室

冷凍室內可存放冷凍食物、將食物冷凍及製作冰塊。

冷凍室溫度取決於冷藏室溫度。

長期儲存食物時，溫度應在 -18°C 以下。

冷凍室可讓您長時間存放容易腐壞的食物。低溫可延緩或停止食物變質。

10.1 冷凍室門

請隨時關閉冷凍室門，以確保已儲存的冷凍物品不會解凍且冷凍室也不會嚴重結冰。

備註 關閉冷凍室門，會聽見它扣入的聲音。

10.2 冷凍能力

冷凍能力代表可在特定小時數內冷凍的最大新鮮食物量。

關於冷凍能力，請查看家電銘牌上的說明。→ [圖 11 / 5](#)

冷凍能力的先決條件

- 請在放入新鮮食物之前，啟動 Super (急速) 冷凍。
→ 「啟動 Super (急速) 冷凍」，頁次 34
- 放入食物時，請讓它儘量靠近冷凍室背板。

10.3 將食物存放到冷凍室的秘訣

- 請將食物密封包裝存放。
- 請勿將準備結凍的食物與已結凍的食物靠在一起。

- 將食物均勻分散在冷凍室中。

10.4 冷凍新鮮食物的秘訣

- 只可冷凍新鮮無損壞的食物。
- 請將食物分成適當份量再放入冷凍庫。
- 處理過的食物較生食更為合適。
- 冷凍蔬菜前，先將蔬菜洗淨、切菜、川燙。
- 冷凍水果前，先將水果洗淨、去核、去皮，最後可添加糖或抗壞血酸劑。
- 適合冷凍的食物包括例如：烘焙產品、魚和海鮮、肉、野味和家禽、剝殼的雞蛋、芝士、牛油、夸克、熟食和剩菜。
- 不適合冷凍的食物包括例如：生菜、蘿蔔、帶殼的雞蛋、葡萄、生蘋果和梨、乳酪、酸忌廉、法式奶油和蛋黃醬。

包裝冷凍食品

合適的包裝材料及正確的包裝方式能有效保留產品品質以及避免凍傷。

- 請將食物放入包裝袋內。
- 擠出袋中的空氣。
- 將包裝封口密閉，使食物味道或水分不流失。
- 可註明冷凍內容物和冷凍日期的包裝材料。

10.5 冷凍物品在 -18°C 下的保存時間

食物	儲存時間
魚、香腸、準備好的菜餚、烘焙食品	可保存 6 個月
家禽、肉類	長達 8 個月
蔬菜、水果	可保存 12 個月

10.6 冷凍物品的解凍方式

小心

危害健康的風險!

解凍時會滋生細菌，冷凍物品可能變質。

- ▶ 請勿將半解凍或已解凍的冷凍食品重新冷凍。
- ▶ 只有將食物烹煮或油炸後才能重新冷凍。
- ▶ 食物的最長儲存時間則完全不再適用。
- 將肉類食物放在冷藏室解凍，例如：魚、肉、芝士和夸克。
- 麵包則放在室溫下解凍。
- 可即食或立即烹飪的則可使用微波爐、焗爐或氣體爐解凍。

11 除霜

11.1 冷藏室除霜

視功能而定，冷藏室背板會隨著機器運轉而形成露珠或結霜。冷藏室背板會自動除霜。

冷凝水或霜層會經由冷凝水導槽進入排水孔，然後抵達蒸發盤，不需擦拭。為讓冷凝水能順利排出並且避免產生異味，請注意以下資訊：

→ 「清潔冷凝水排放通道和排水孔」，頁次37。

11.2 冷凍室除霜

冷凍室無法自動除霜。冷凍室的霜層不利於冷凍食品結凍，也會提高耗電量。

為冷凍室除霜

請定期為冷凍室除霜。

1. 除霜前約 4 小時，請開啟 Super (急速) 冷凍。
→ 「啟動 Super (急速) 冷凍」，頁次 34
讓食物達到極低的溫度，並可以在室溫下延長保存時間。

2. 請取出冷凍物品，並放置在陰涼處。若有冰寶，請將冷凍食品連同冰寶用毯子或報紙包裹起來。
3. 關掉電源。→ 頁次34
4. 切斷機器的電源。
拔除電源線插頭或關閉保險絲盒中的保險絲。
5. 為了加快除霜速度：請將裝入熱水的鍋子墊上隔熱鍋墊後，放入冷凍室內。
6. 用軟布或海綿擦去冷凝水。
7. 用乾淨軟布將冷凍室擦乾。
8. 接駁機器的電源。
9. 開機。→ 頁次33
10. 放入冷凍物品。→ 頁次35

12 清潔和護理

為了讓機器長時間保持功能順暢，請仔細進行清潔和護理。

無法接近的地方必須由客戶服務進行清潔。由客戶服務進行的清潔可能需要收費。

12.1 清潔機器的事前準備工作

1. 關掉電源。→ 頁次34
2. 切斷機器的電源。
拔除電源線插頭或關閉保險絲盒中的保險絲。
3. 取出所有食物，放在陰涼處。
若有冰寶，請將它放在食物上。
4. 若已結成霜層，請進行除霜。
5. 取出本電器中的所有配備零件和配件。→ 頁次37

12.2 清潔機器

警告 觸電風險!

濕氣滲入可能會導致觸電。

- ▶ 請勿使用蒸氣清潔機、高壓清潔機清潔本機。

照明設備或控制元件內若含有水氣，可能導致危險。

- ▶ 洗滌水不得接觸到照明設備或控制元件。

注意！

不合適的清潔劑會損壞機器表面。

- ▶ 請勿使用硬質百潔布或清潔海綿。
- ▶ 請勿使用腐蝕性或磨蝕性的清潔劑。
- ▶ 請勿使用酒精含量高的清潔劑。

若有液體流入排水孔，可能導致蒸發盤溢流。

- ▶ 切勿讓洗滌水流進排水孔。

若用洗碗機清洗配件和附件，它們可能因此變形或褪色。

- ▶ 切勿用洗碗機清洗配件和附件。

1. 為機器進行清潔的事前準備工作。
→ 頁次36
2. 請用抹布、溫水和一些中性清潔劑來清潔電器、配備零件、配件和電器門密封件。
3. 請用柔軟乾布再徹底擦乾一遍。
4. 裝入配件。
5. 接駁機器的電源。
6. 開機。→ 頁次33
7. 放入食物。

12.3 清潔冷凝水排放通道和排水孔

為讓冷凝水能順利排出，請定期清潔冷凝水排放通道和排水孔。

1. 取下抽拉式儲存盒。→ 頁次37
2. 請用棉花棒小心清潔冷凝水排放通道和排水孔。
→ 圖 4

12.4 清潔通風格柵

1. 清潔時，請拆下外部通風格柵。
 - 將通風口的固定夾往下按壓，同時將外部通風格柵往前拔下。
→ 圖 5
2. 請用抹布及溫水清潔外部通風格柵。
3. 將外部通風格柵完全晾乾後再裝回。

12.5 取出配件

若想要徹底將配件清潔乾淨，請將它取出至機外。

取出層架

- ▶ 將層架抬高、往前抽出、側向翻轉
① 然後取下塞子 ②。
→ 圖 6

取出門邊置物架

- ▶ 抬起門邊置物架然後取出。
→ 圖 7

取出抽拉式存放盒

- ▶ 抬高並取出抽拉式存放盒。
→ 圖 8

取出含蓋蔬果盒

- ▶ 將蔬果盒的上蓋往上掀 ① 然後將含蓋蔬果盒往前取出 ②。
→ 圖 9

13 排除故障

本機的大多數輕微故障均可自行解決。聯絡客戶服務之前，請先利用故障排除資訊嘗試自行解決問題。此舉可避免不必要的開銷。

故障	原因及疑難排解
LED 照明不亮。	照明裝置故障。 <ol style="list-style-type: none">1. 關機。→ 頁次342. 請切斷設備電源。 拔除電線插頭或關閉保險絲盒中的保險絲。3. 將照明裝置蓋板往左取下。 → 圖 104. 更換照明裝置。 照明裝置替換品：220–240 V 交流電，插座 E14，瓦特數請參見故障照明裝置上的數據。
	燈光開關被卡住。 ▶ 請查看照明開關是否可移動。 → 圖 11
溫度偏離設定太多。	可能有不同的原因。 <ol style="list-style-type: none">1. 關機。→ 頁次342. 約 5 分鐘後再重新開機。→ 頁次33<ul style="list-style-type: none">- 若溫度太高，請在數小時後再重新檢查一次。- 若溫度太低，請在隔天再重新檢查。
冷藏室底部潮溼。	冷凝水排放通道或排水孔堵塞。 ▶ 請清潔冷凝水排放通道和排水孔。→ 頁次37
本裝置發出低鳴聲、冒泡聲、類似摩打迴旋、液體潺流或輕敲的聲音。	並非故障。壓縮機正在運轉，例如冷凍機組、風扇。冷媒流過冷媒管路的聲音。壓縮機、開關或電磁閥正在啟動或關掉。 無需採取任何處理。
裝置發出異聲。	配件鬆動或卡死。 ▶ 請檢查所有可取出的配件，必要時請重新插入。
	瓶子或容器互相碰撞。 ▶ 請移動瓶罐，使之分開。
	Super (急速) 冷凍 已啟動。 無需採取任何處理。

13.1 停電

停電時，設備內的溫度上升，這會縮短食物保存時間，冷凍食品的品質會下降。

若發生故障，您可以在本電器網站上的技術數據中找到冷凍食品的存放時間。

備註

- 停電時，請盡量減少打開設備的次數，也不要再放入其他食物。
- 請於停電後立即查看食物的品質。
 - 請清除掉開始解凍以及高於 5 °C 的冷凍食品。
 - 請烹煮或煎煮已稍微解凍的冷凍食品，可立即食用或重新冷凍。

14 存放和廢棄處理

在此可了解如何為機器存放作準備。此外，還將了解如何處理舊機。

14.1 將本機停止運轉

1. 關掉電源。 → 頁次34
2. 切斷機器的電源。
拔除電源線插頭或關閉保險絲盒中的保險絲。
3. 取出所有食物。
4. 為裝置除霜。 → 頁次36
5. 清潔裝置。 → 頁次36
6. 為確保內部通風，請讓電器保持打開。

14.2 舊機處理

舊機本身含有一些有用的原料，透過環保的方式加以處理可回收再利用。

警告

危害健康的風險!

孩童有可能將自己鎖進洗碗碟機內，造成生命的危險。

- ▶ 請勿取出層板和抽屜，以防止孩童爬入冰箱內。
- ▶ 讓確保孩童遠離報廢的舊機。

警告

火災風險!

若是管路損壞，則易燃冷媒及有害氣體可能會因外洩而自燃。

- ▶ 請勿損壞冷媒迴路的配管及絕緣體。
- ▶ 請以環保的方式廢棄本電器。

關於現行廢棄物處理的相關資訊，請向經銷商及當地或市政管理單位查詢。



本機器已根據歐盟法令 2012/19/EU 關於電氣和電子設備之規定（報廢電子電氣設備，WEEE）進行了標記。
此歐盟指令內容為歐洲地區舊機回收再利用的規定。

15 客戶服務

若有任何疑問，無法自行排除機器故障或需要維修服務，請聯絡本公司的客戶服務。

有關您所在國家/地區的保養期和保養條款的詳細資訊，請向本公司的客戶服務、經銷商或本公司網站查詢。
聯絡客戶服務時，需要提供機器的產品編號（E-Nr.）和生產編號（FD）。
可在隨附的客戶服務目錄或本公司的網站查看客戶服務聯絡資料。

15.1 產品編號（E-Nr.）和生產編號（FD）

可在機器的家電銘牌上查看產品編號（E-Nr.）和生產編號（FD）。

→  圖 1/5

如需快速重複查看機器資料和客戶服務電話號碼，可將資料加以記錄。

16 技術資料

關於冷媒、淨容量以及進一步技術資料
皆在家電銘牌上。

→  1 / 5



A series of horizontal lines for writing, starting from the top right of the pencil icon and extending across the width of the page. There are approximately 25 lines in total, providing a template for handwriting practice.



Thank you for buying a Bosch Home Appliance!

Register your new device on MyBosch now and profit directly from:

- **Expert tips & tricks for your appliance**
- **Warranty extension options**
- **Discounts for accessories & spare-parts**
- **Digital manual and all appliance data at hand**
- **Easy access to Bosch Home Appliances Service**

Free and easy registration – also on mobile phones:

www.bosch-home.com/welcome

BOSCH
HOME APPLIANCES
SERVICE

Looking for help? You'll find it here.

Expert advice for your Bosch home appliances, help with problems or a repair from Bosch experts.

Find out everything about the many ways Bosch can support you:

www.bosch-home.com/service

Contact data of all countries are listed in the attached service directory.

Robert Bosch Hausgeräte GmbH

Carl-Wery-Straße 34

81739 München

GERMANY

www.bosch-home.com



9001591262 (010727)

en, zh-hk