

**MOMENTUM
SLIDING DOOR & SIDE PANEL ENCLOSURE
INSTALLATION INSTRUCTIONS**

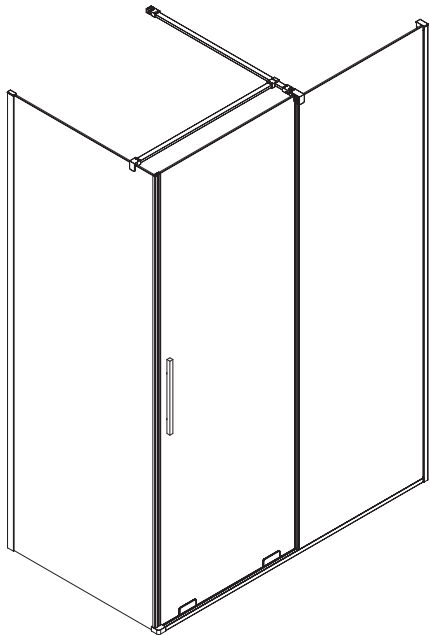


BEFORE YOU START

TOOLS AND MATERIALS REQUIRED

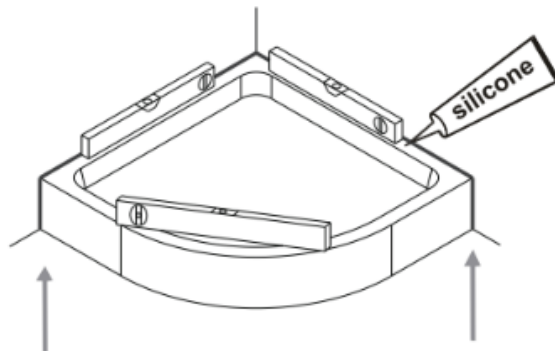
IMPORTANT NOTICE

Please assemble according to our instructions, otherwise the enclosure will not be stable.
Please check accessory quantities after you open the carton to ensure all fittings are included.

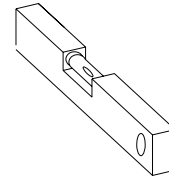


IMPORTANT NOTICE

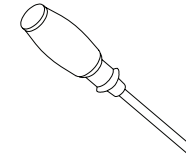
Trat must be sealed fully around where the tray meets the wall. Tray must be 100% level in all directions. Ensure the shower tray is level in all directions and is properly sealed to the wall. The wall must be tiled down to the top edge of the tray. **Do not angle out bottom tile.**



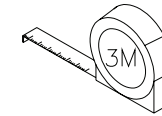
Needed:



LEVEL



SCREWDRIVER



TAPE MEASURE



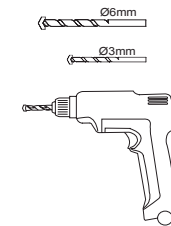
PENCIL



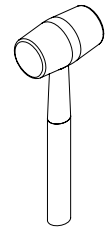
SOAP



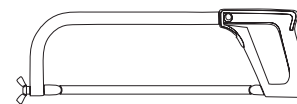
CAULK GUN & SILICONE



DRILL & BITS



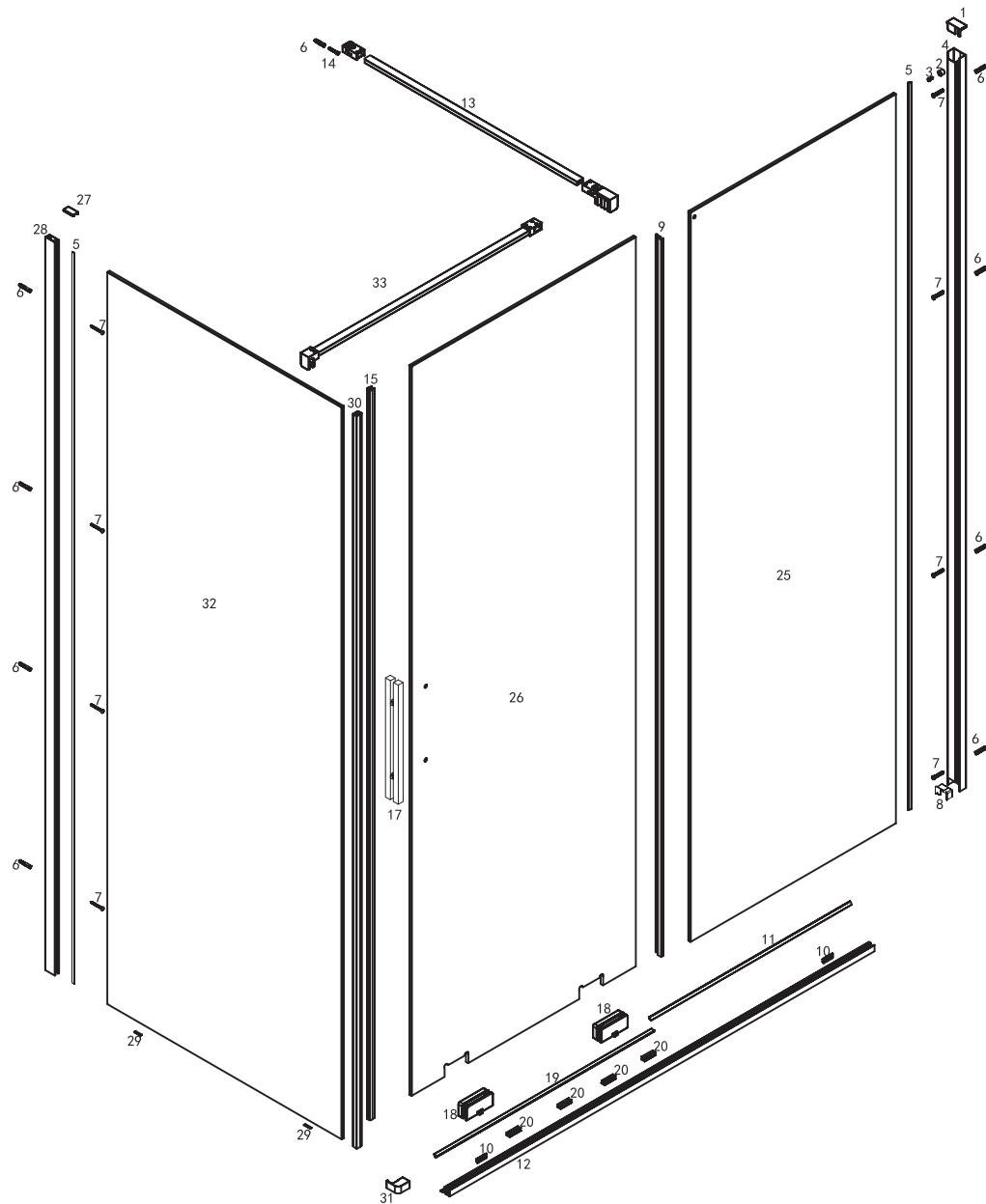
RUBBER Mallet



HANDSAW

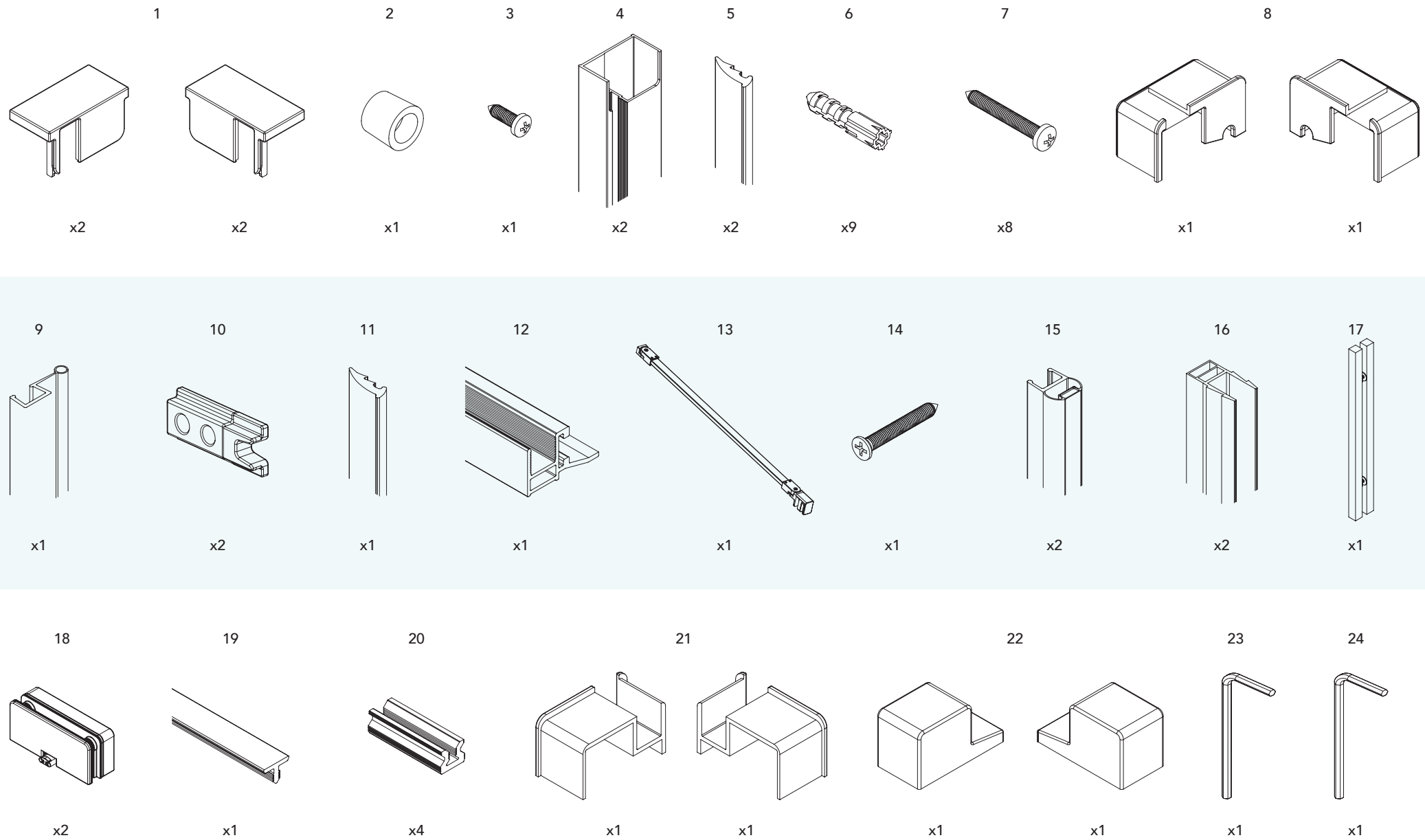
TOOLS & MATERIALS SUPPLIED

Note! Additional tools and materials may be necessary, depending on the specific requirements of the site.



TOOLS & MATERIALS SUPPLIED

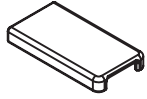
Note! Additional tools and materials may be necessary, depending on the specific requirements of the site.



TOOLS & MATERIALS SUPPLIED

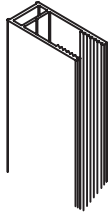
Note! Additional tools and materials may be necessary, depending on the specific requirements of the site.

27



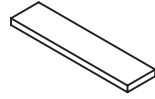
x1

28



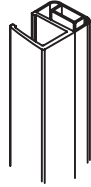
x1

29



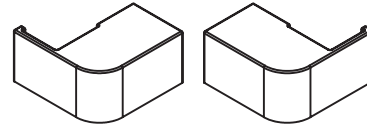
x2

30



x1

31



x1

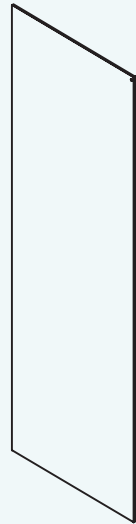
x1

33



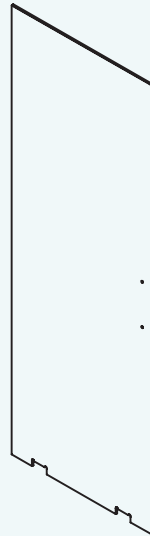
x1

25



x1

26

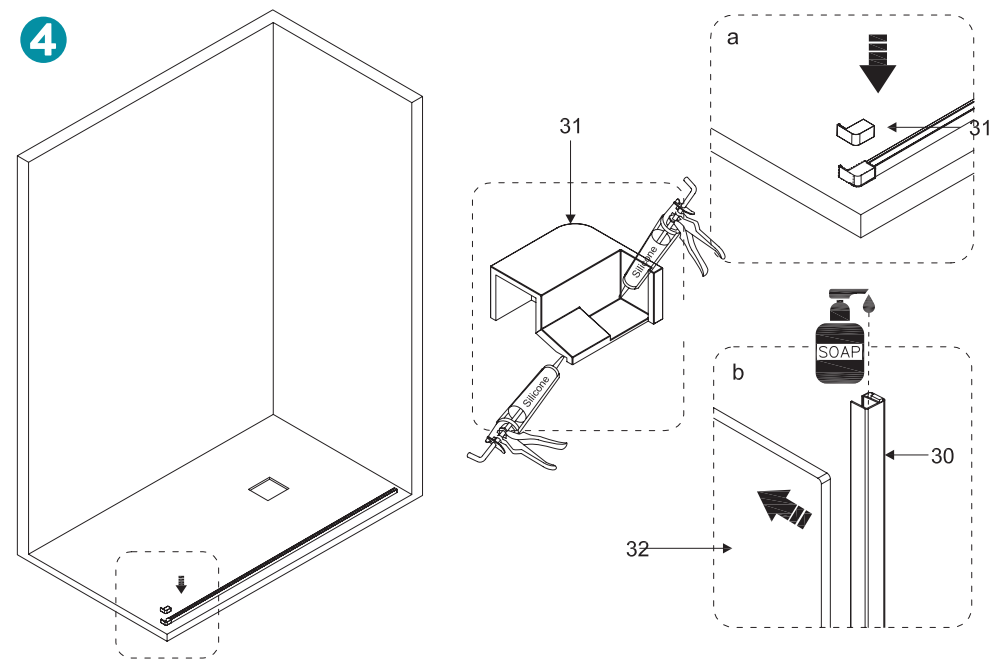
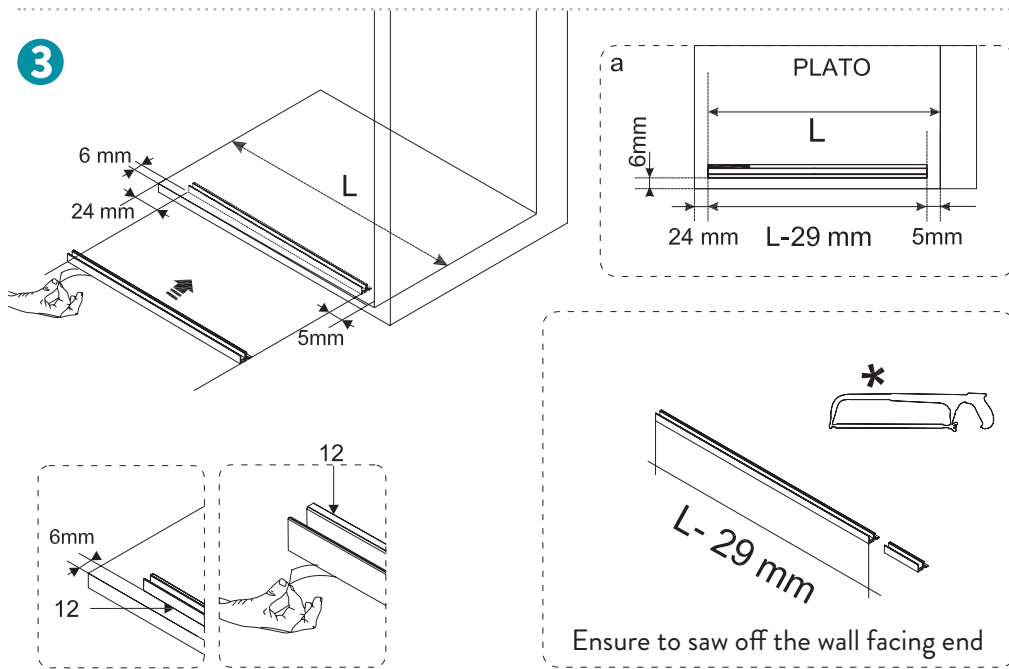
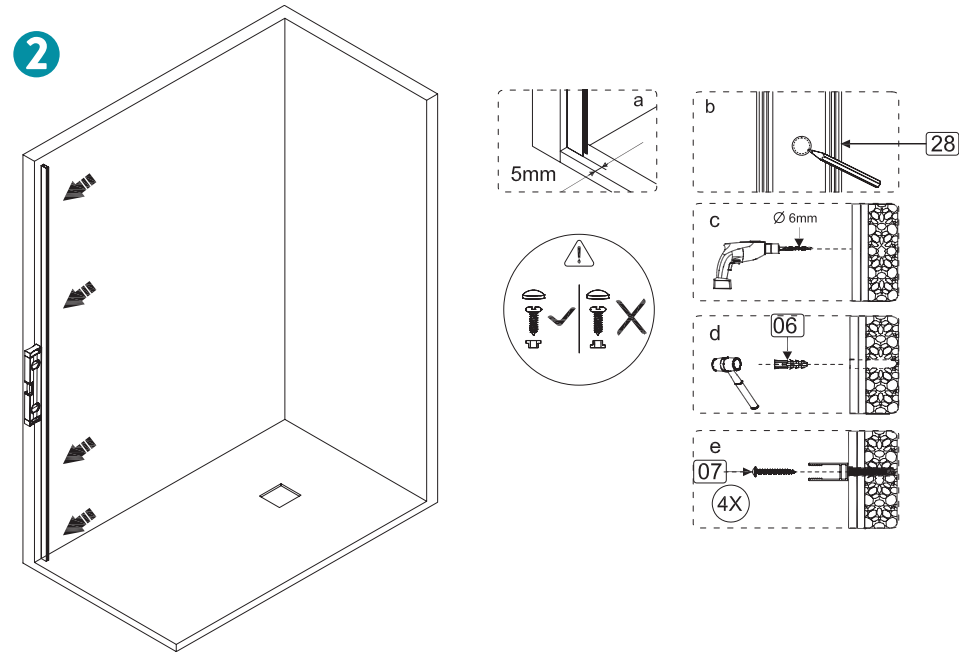
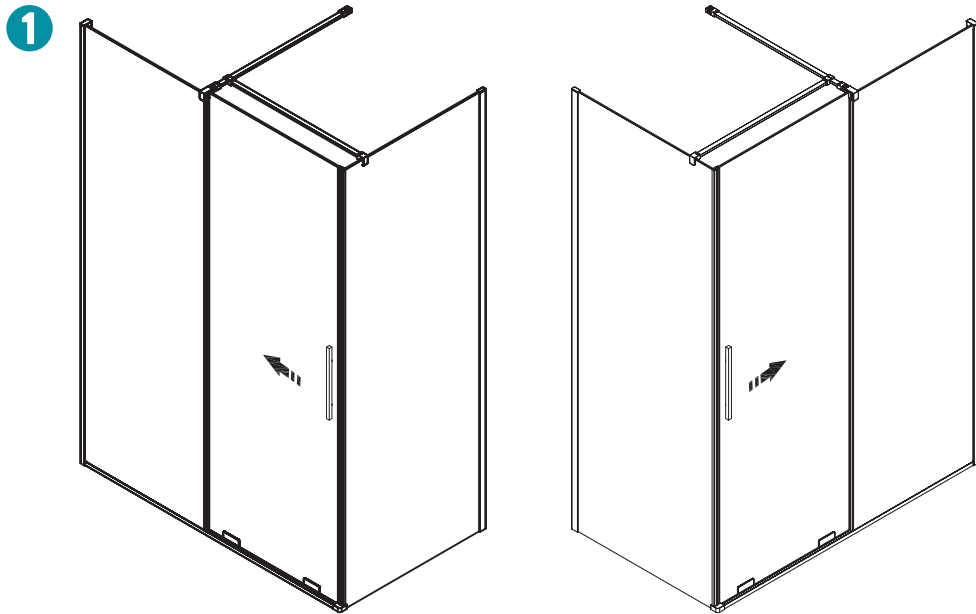


x1

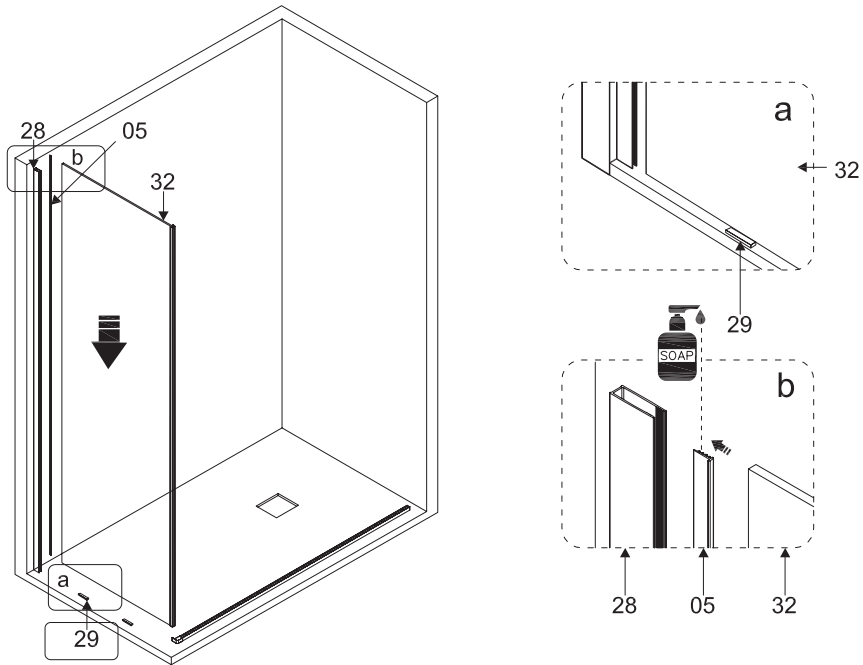
32



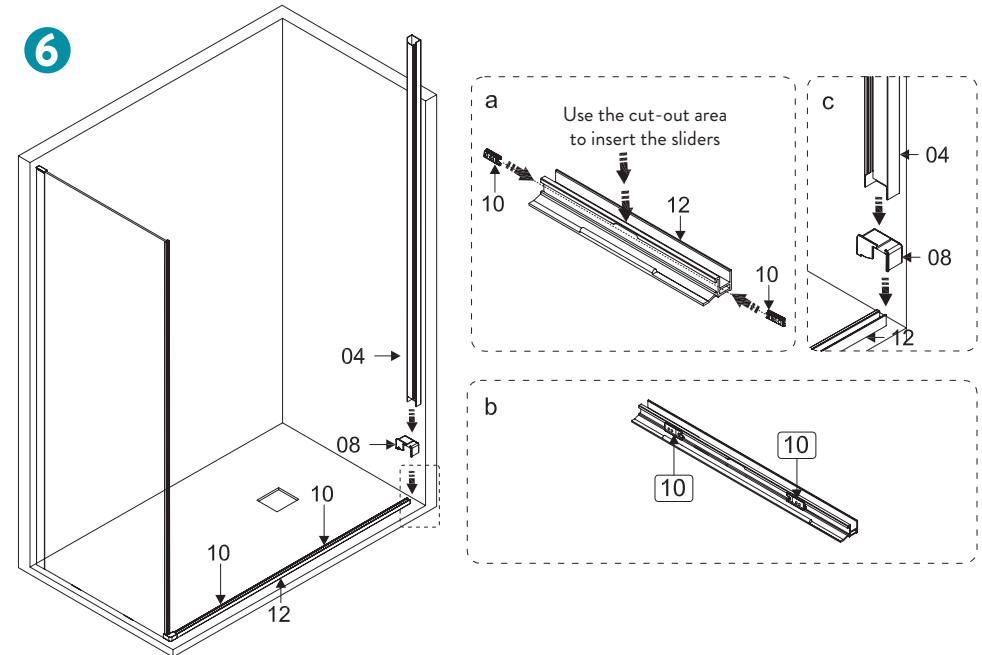
x1



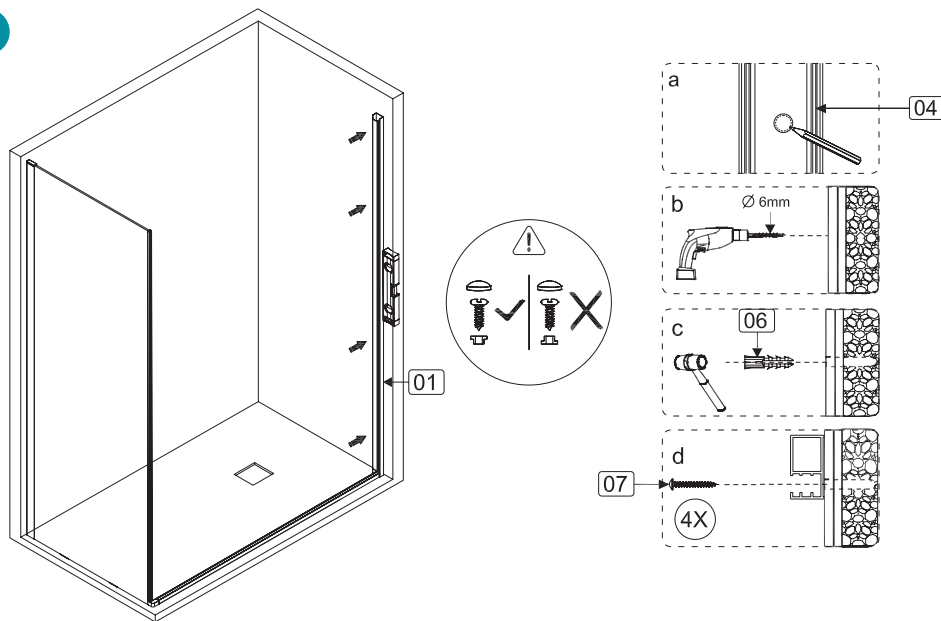
5



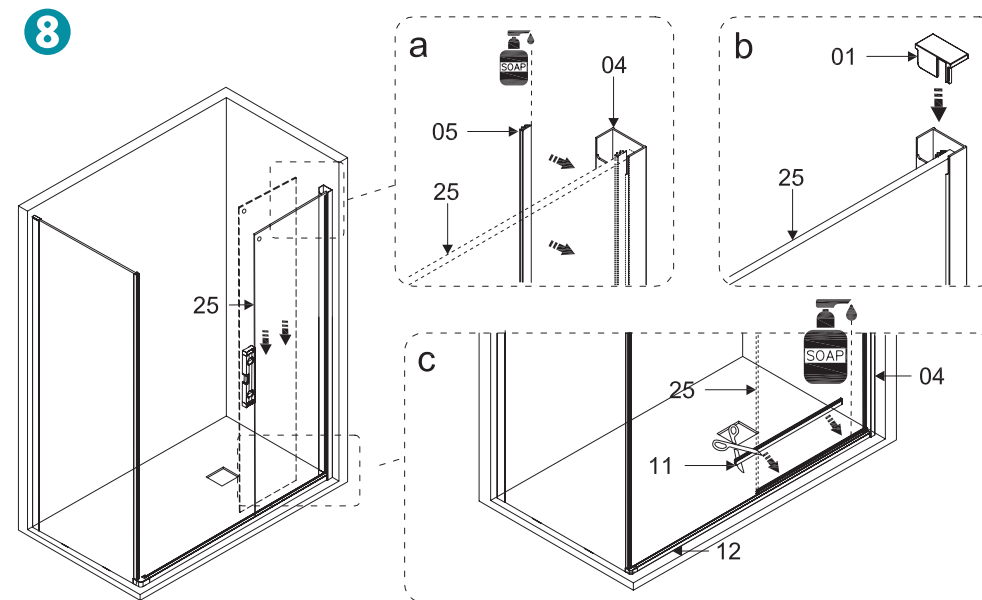
6



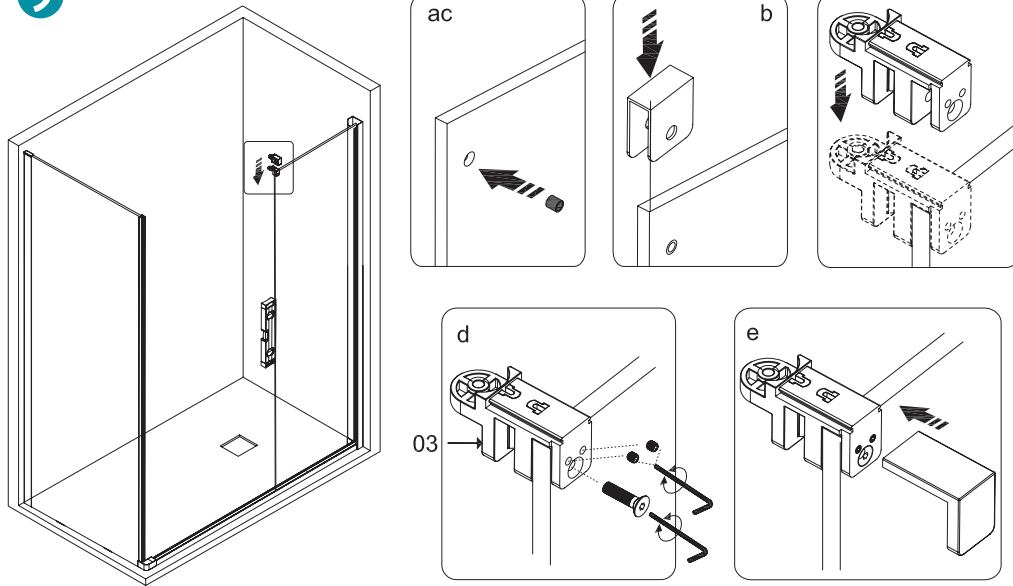
7



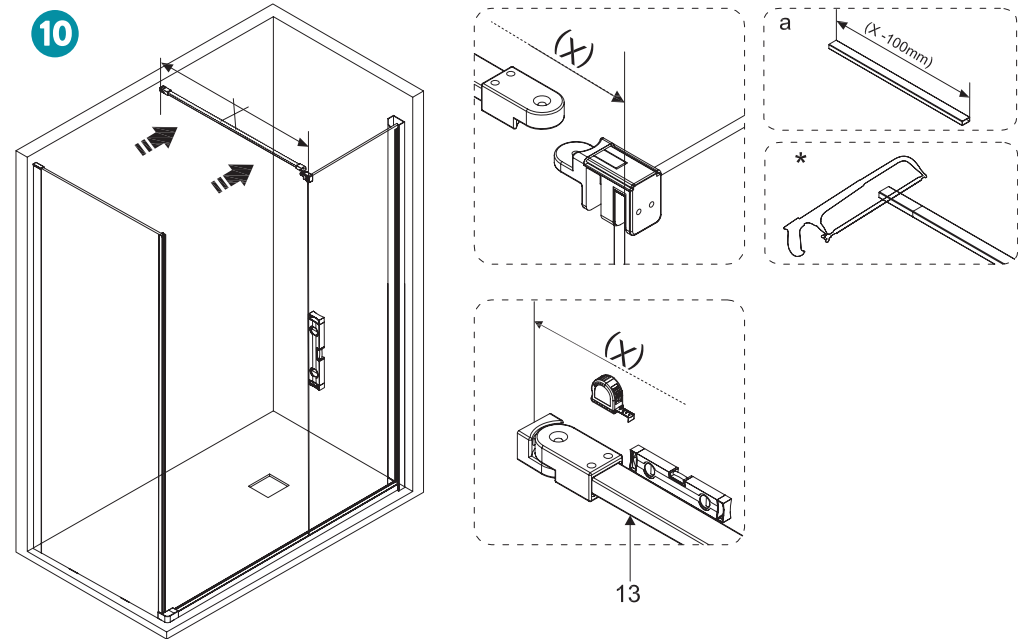
8



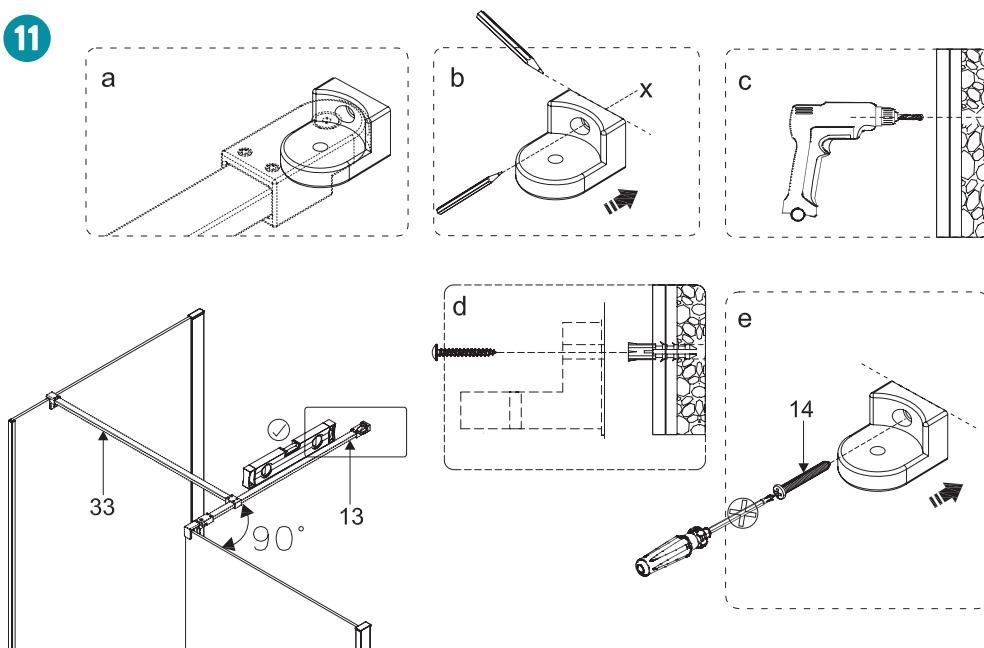
9



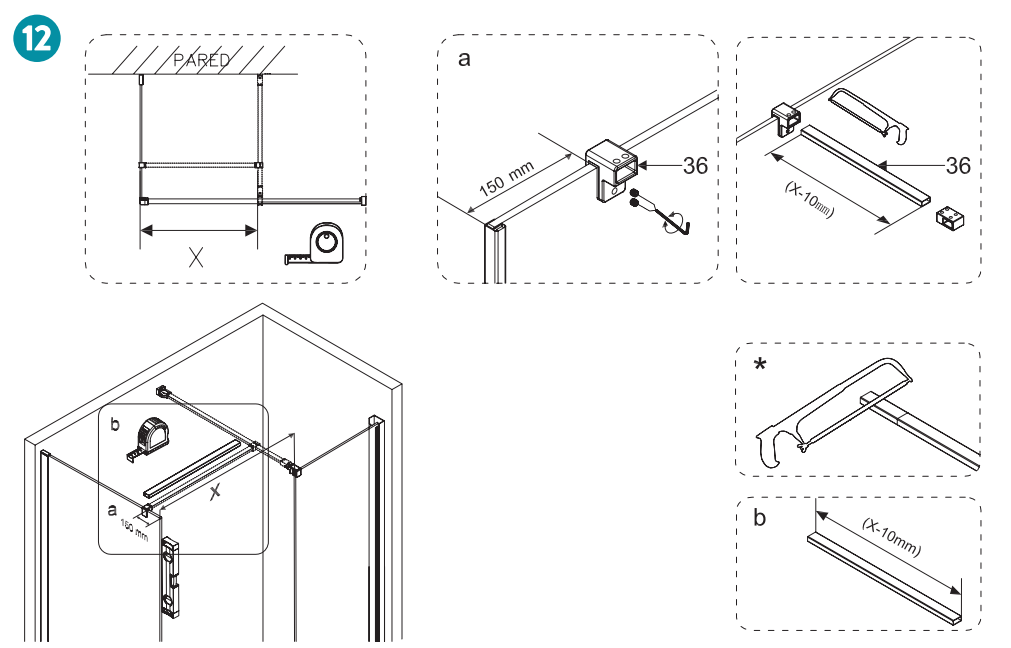
10

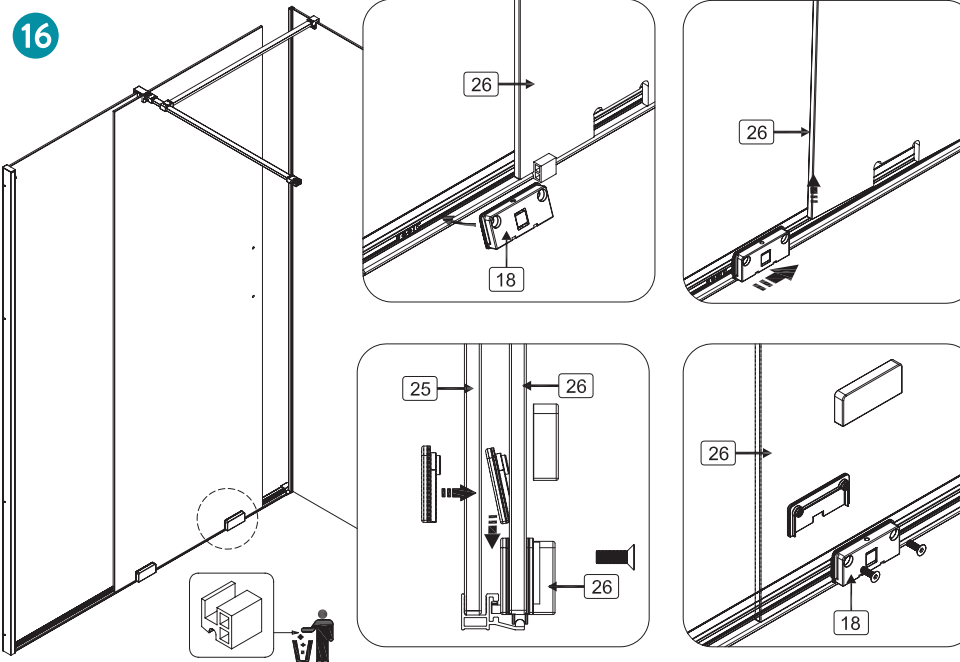
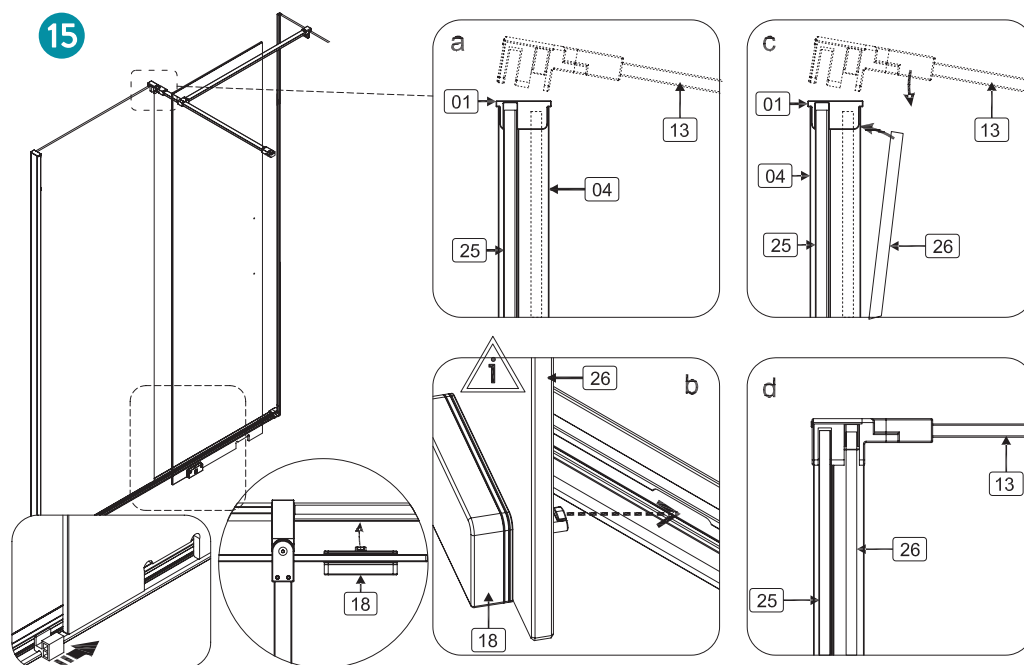
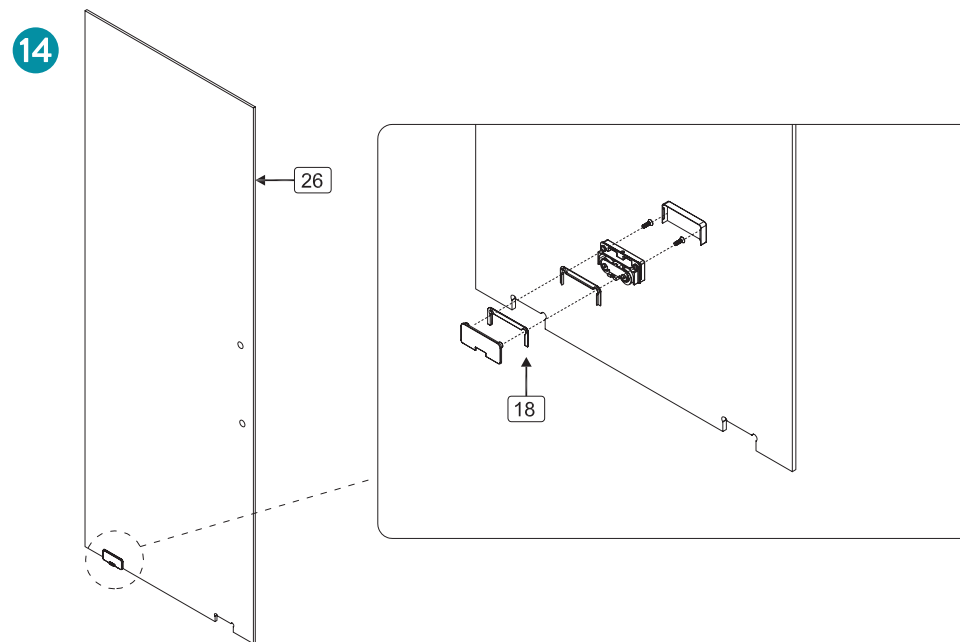
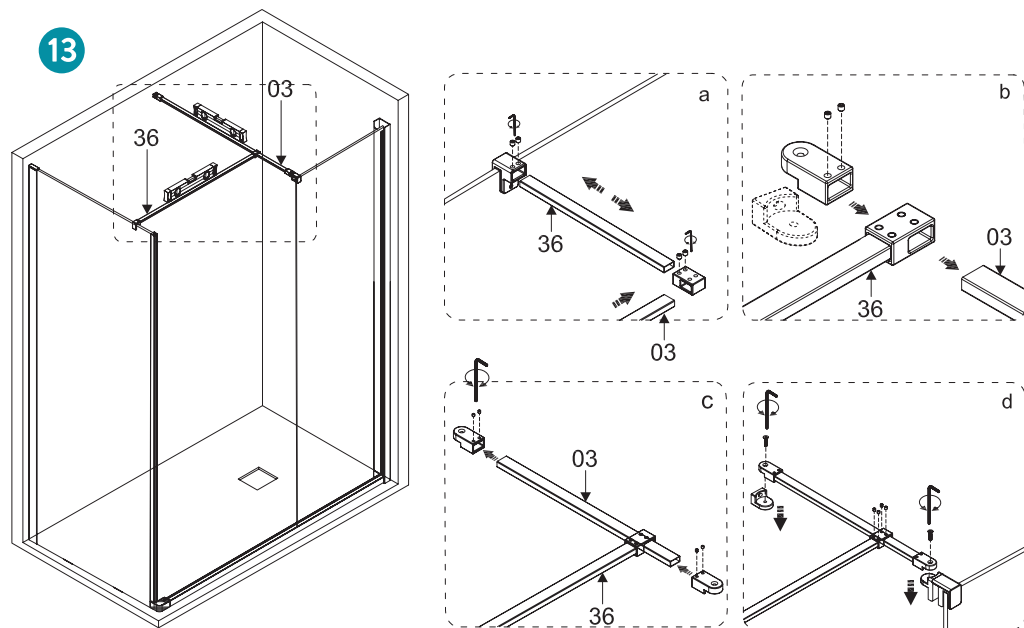


11

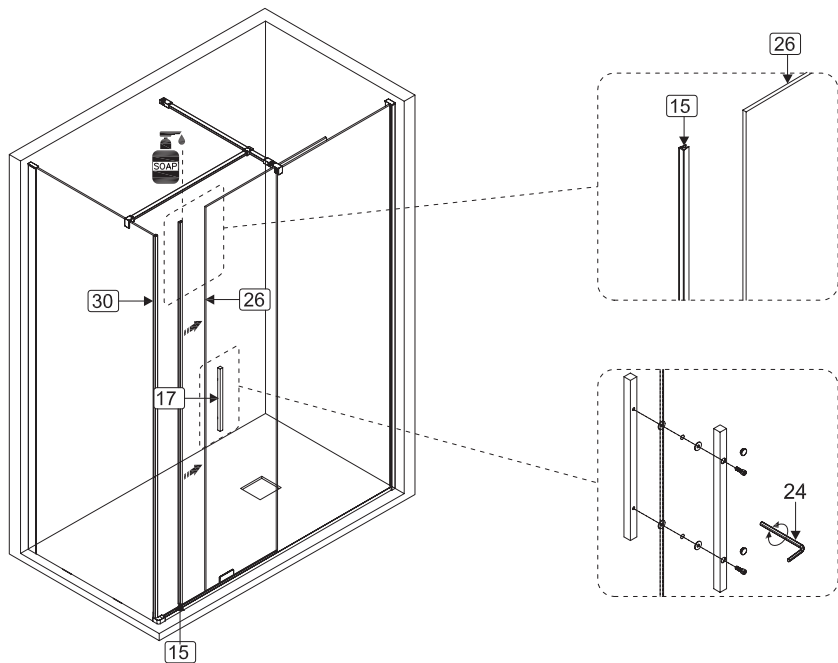


12

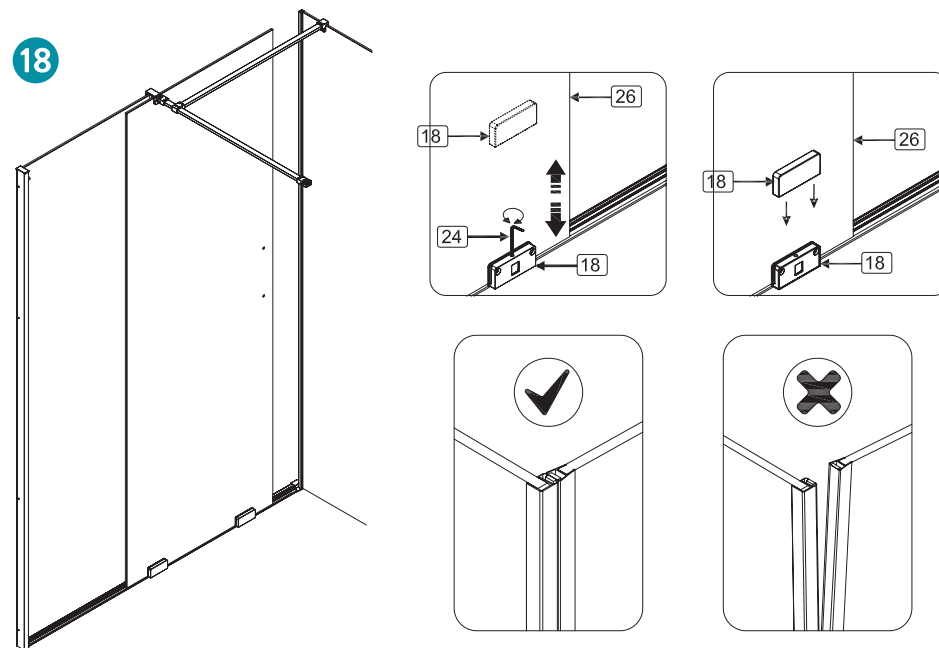




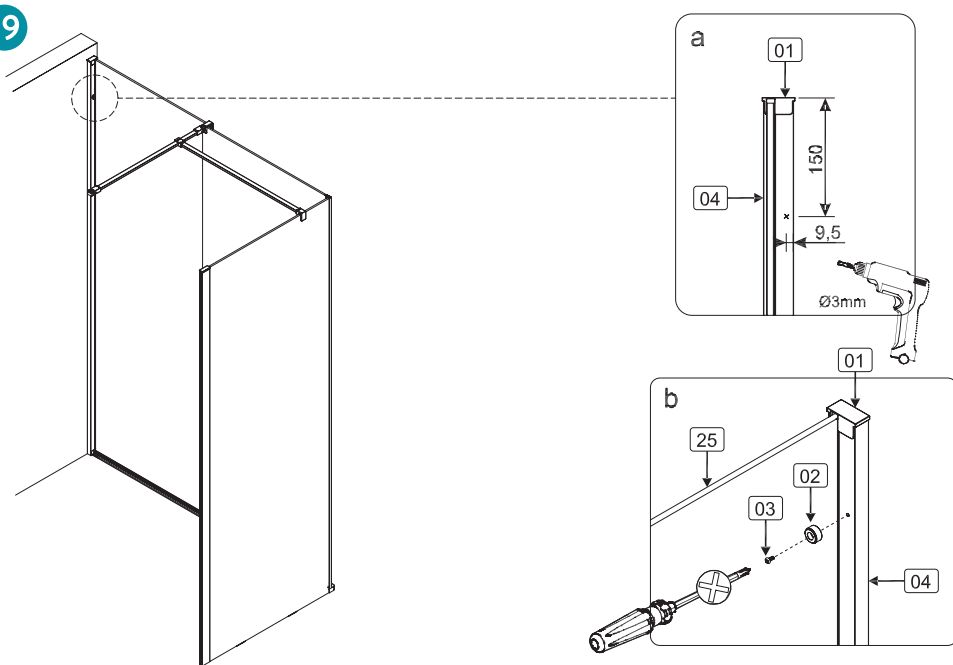
17



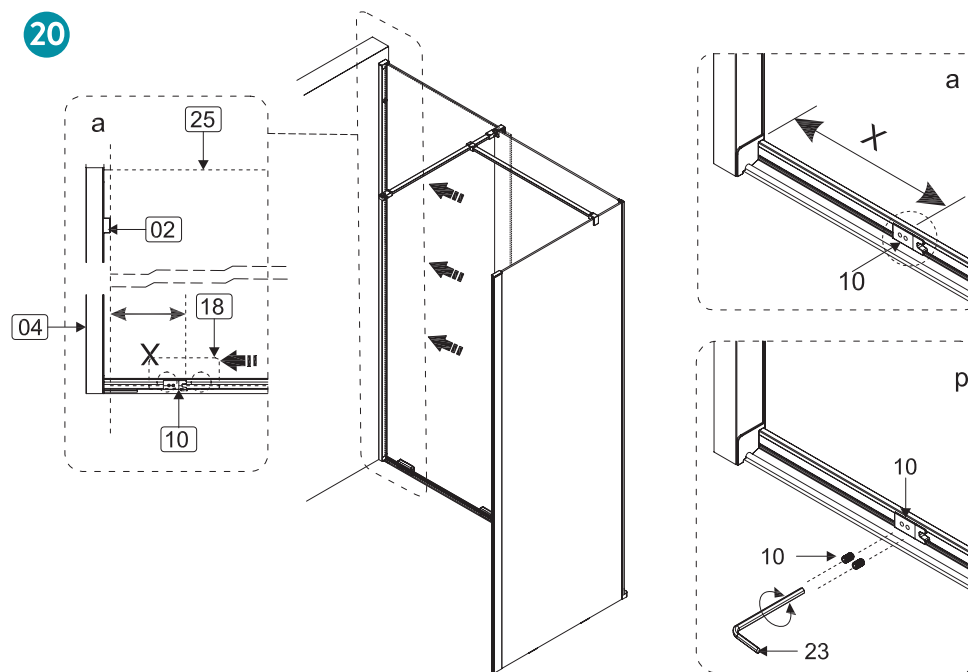
18



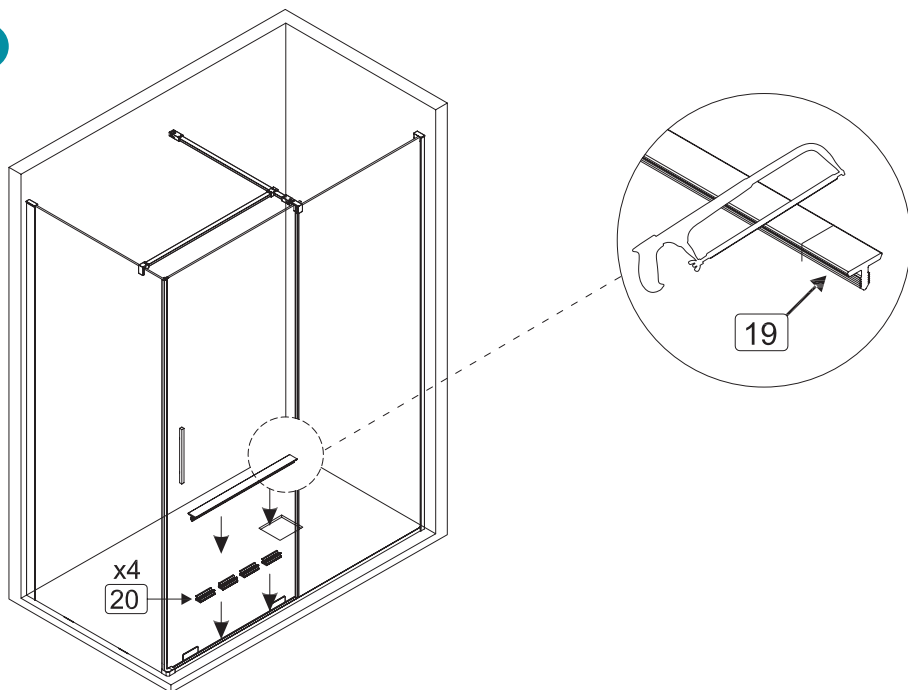
19



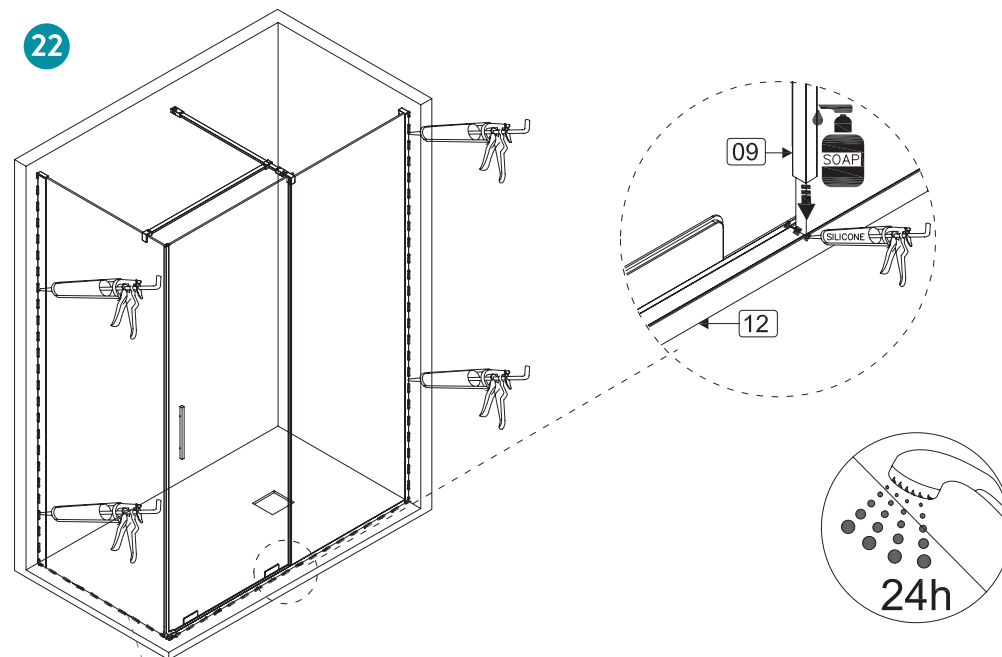
20




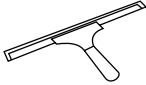


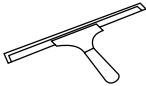
21



22



Remove part 29 before silicone sealing.

CLEANING TYPE	PROCEDURE	PROCEDURE	PROCEDURE	CLEANING INTERVAL	TRANSPARENT GLASS	GLASS WITH EASY-CLEAN TREATMENT
Routine Cleaning		Rinse with warm and then cold water 	Dry with a squeegee 	Immediately after showering	YES	YES
Main Cleaning	Clean with water and diluted vinegar 	Rinse with clean water 	Dry with a squeegee 	Weekly or monthly, according to the user preferences	YES	YES

IMPORTANT FOR PROPER CLEANING

Your shower enclosure is designed for minimum cleaning effort. In order to keep your shower enclosure permanently shining, a few rules must be observed.: Profiles and glass may only be cleaned with light cleaning agents. Abrasive cleaning agents, alcohol or nitric solutions must not be used. Do not use steel wool or course microfibre cloths for cleaning, as this will cause scratches. limescale in the water causes satins, so frequent cleaning is essential to keep your screen clean. The longer the limescale remains, the more difficult it is to remove.

MAINTENANCE OF MECHANICAL PARTS

The mechanical parts of the screen also need maintenance to ensure that they will function perfectly for many years to come. The bearings and hinged parts of the screen should be lightly lubricated. Screws that remain visible should also be tightened.

EASY-CLEAN COATING

The easy-clean coating is a special treatment that gives the glass an extra-smooth surface coating that prevents water droplets, soap dirt or limescale from adhering to the glass. Cleaning is not prevented, but all residues are easily and effortlessly removed. To clean the easy-clean coated glass surface, non-abrasive cloths and cleaning agent should be used.