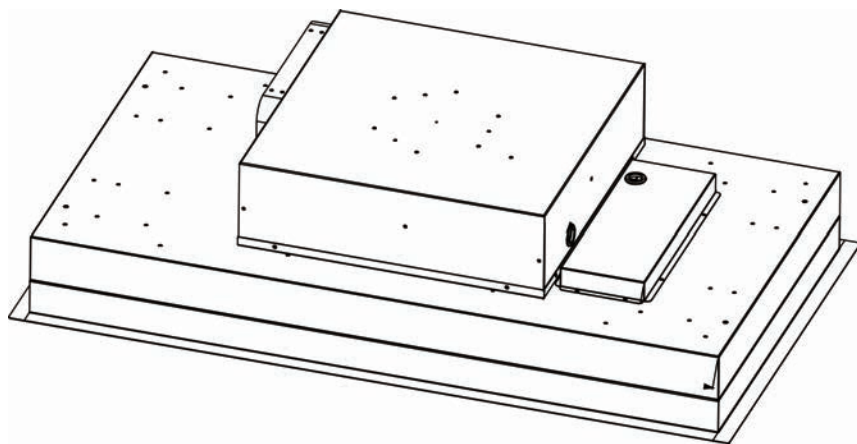


Manual

Opus Built-In Ceiling Hood



VP-CH95BLK
VP-CH95WHT

CONTENT

Safety Instructions	2
Installation	4
Operation	8
Troubleshooting	10
Cleaning and Care	11
Hints on Disposal	11
Warranty & Service	11

TECHNICAL DATA

Item number	VP-CH95BLK VP-CH95WHT
Power supply	220-240 V ~ 50/60 Hz

DECLARATION OF CONFORMITY



This product is conform to the following European Directives:

2014/30/EU (EMC)
2014/35/EU (LVD)
2011/65/EU (RoHS)
2009/125/EC (ErP)

SAFETY INSTRUCTIONS

- Thank you for purchasing this cooker hood. Please read the instruction manual carefully before you use the cooker hood, and keep it in a safe place.
- The installation work must be carried out by a qualified electrician or competent person. Before you use the cooker hood, make sure that the voltage (V) and the frequency (Hz) indicated on the cooker hood are exactly the same as the voltage (V) and the frequency (Hz) in your home.
- The manufacturer and the agent will not bear any responsibility for the damage caused by inappropriate installation and usage.
- Never let children operate the cooker hood.
- The cooker hood is for home use only. It is not suitable for barbecues, Roast shop and commercial purposes.
- The cooker hood and its filter mesh should be cleaned regularly in order to keep it in good working order.
- Before cleaning, switch the power off at the main supply.
- Clean the cooker hood according to the instruction manual and keep the cooker hood from the danger of burning.
- Prohibit putting the cooker hood by fire.
- If there is any fault with the appliance, please call the service department to request a service engineer.
- This appliance can be used by children aged from 8 years and above and persons with reduced physical, sensory or mental capabilities or lack of experience and knowledge if they have been given supervision or instruction concerning use of the appliance in a safe way and understand the hazards involved. Children shall not play with the appliance. Cleaning and user maintenance shall not be made by children without supervision.
- If the supply cord is damaged, it must be replaced by the manufacturer, its service agent or similarly qualified persons in order to avoid a hazard.
- The instructions shall state the substance of the following: there shall be adequate ventilation of the room when the range hood is used at the same time as appliances burning gas or other fuels (not applicable to appliances that only discharge the air back into the room).
- Do not flambé under the range hood. Accessible parts may become hot when used with cooking appliances.

Important Hints on Installation

- The air must not be discharged into a flue that is used for exhausting fumes from appliances burning gas or other fuels (not applicable to appliances that only discharge the air back into the room).
- Regulations concerning the discharge of air have to be fulfilled.

Important notes about the extraction mode

**WARNING**

Risk of poisoning from exhaust gases sucked back. Never operate the device in extraction mode simultaneously with an open flue appliance when there is not adequate airflow guaranteed.

Open flue combustion equipment (for example, gas, oil, wood or coal-fired heaters, tankless water heaters, water heaters) pulls combustion air from the room and runs it through an exhaust pipe or chimney to the outside. In the extraction mode, indoor air is removed from the kitchen and the adjacent rooms - without sufficient air intake this creates a vacuum. Toxic gases from the chimney or extraction flue can thereby be sucked back into the living spaces.

- Always ensure that a sufficient supply of fresh air is guaranteed and that the air can circulate.
- An air supply / extractor box alone does not ensure compliance with the limit value.

Safe operation is only possible when the negative pressure in the room where the appliance is located does not exceed 4 Pa (0.04 mbar). This can be achieved when the air required for combustion can flow through openings that are not closable, for example in doors, windows, in conjunction with an air supply/ extractor box or through other technical measures. In any case, consult a qualified chimney sweep who can assess the entire ventilation of your house and propose appropriate measures for adequate ventilation.

If the hood is used exclusively in the recirculation mode, unrestricted operation is possible.

**WARNING**

Fire hazard from flying sparks. Only install equipment on a fireplace for solid fuels (for example, wood or coal), if a closed, non-removable cover is available.

INSTALLATION

Preparation

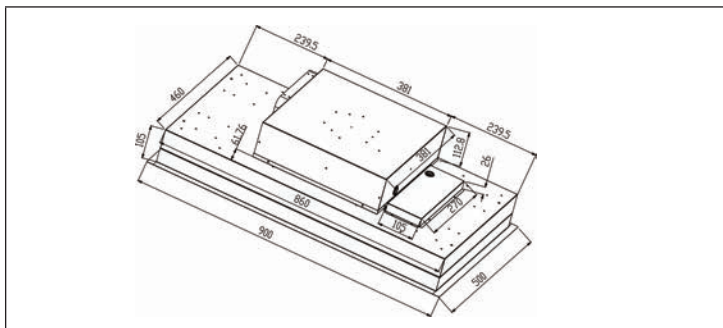
If you have an outlet to the outside, your cooker hood can be connected as below picture by means of an extraction duct (enamel, aluminium, flexible pipe or inflammable material with an interior diameter of 150mm)

- Before installation, turn the unit off and unplug it from the outlet.
- The cooker hood should be placed at a distance of 65~150cm above the cooking plane for best effect.

Installation (Vent outside)

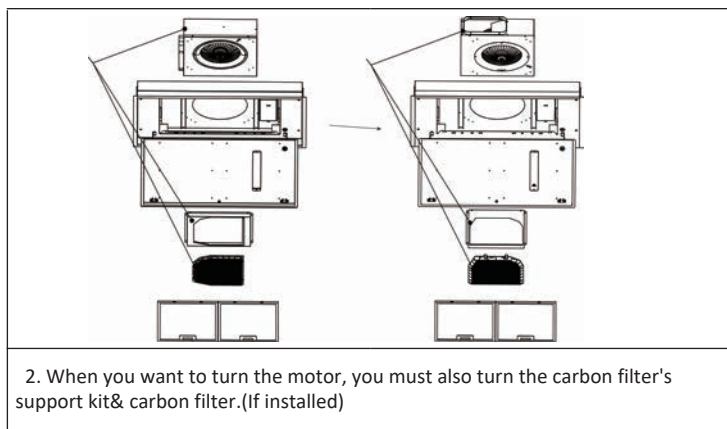
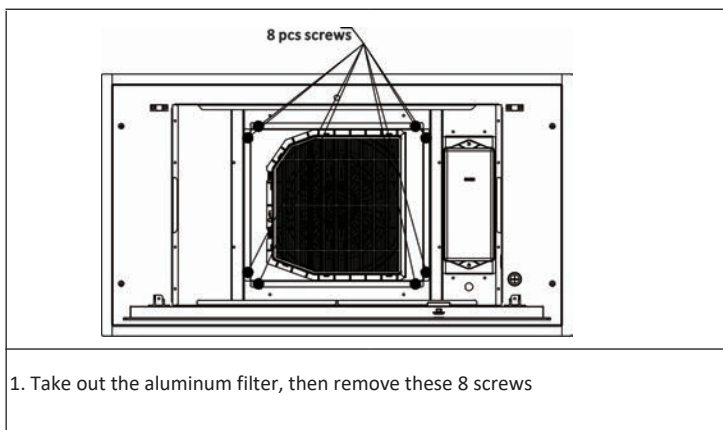
Note: When the range hood and appliance supplied with energy other than electricity are simultaneously in operation, the negative pressure in the room must be not exceed 4 Pa (4×10^{-5} Bar).

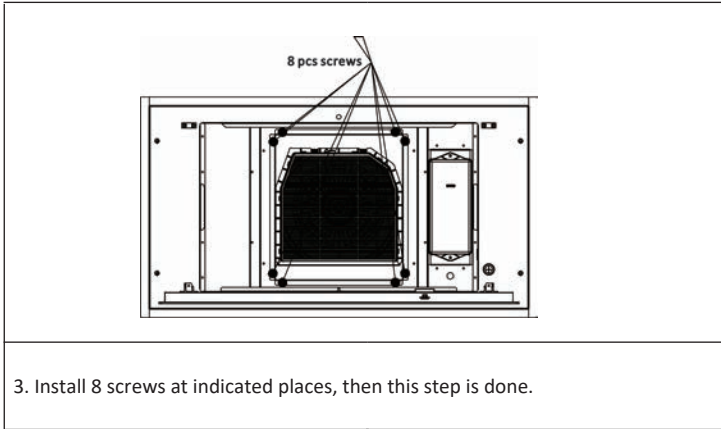
Dimensions



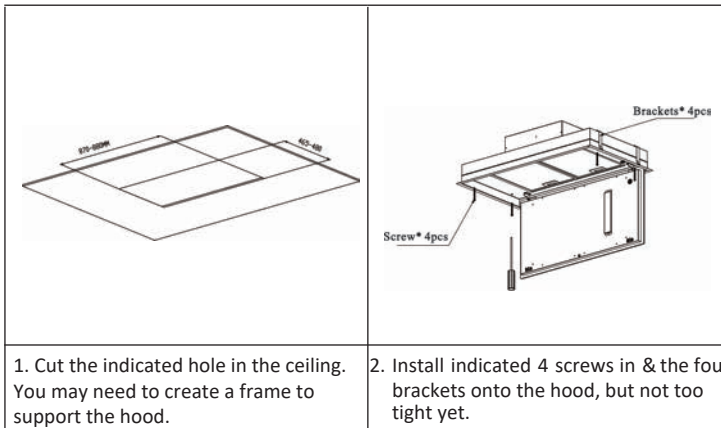
Before installation


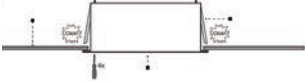
If you want to change the air-outlet to another side, see below how to do this
Remark: only do one 90-degree rotation


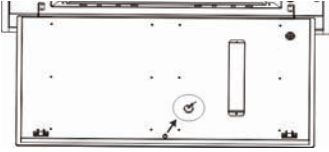




Ceiling installtion



	
<p>3. Install the hood into the ceiling. Push the extractor upwards until the brackets click open in the false ceiling. (see image 4)</p>	<p>4. If they don't, use a screwdriver to push into the 4 holes in the lower corners of the hood to help them click open.</p>



	
<p>5. Tighten the screws now, installation is finished.</p>	<p>6. The hood with safety rope in the light panel; pressing this part can adjust the safety rope's length.</p>

Note: Note: The ventilation pipe should be installed after adjusting the extractor hood.

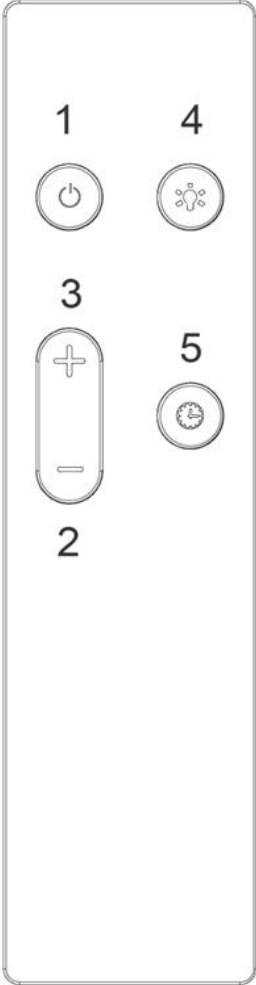
- When mounting a non-return valve, it must be ensured that the valve can be opened freely. If the valve cannot be opened freely, it can reduce the suction power and increase the noise from the extractor hood.
- If the extractor hood is used for recirculation and there is no external ventilation (exhaust air), it is important that the ventilation is not blocked or impaired, as this can damage the extractor hood, reduce capacity and increase noise. In addition, no non-return valve can be installed in recirculation mode.
- Charcoal filter is only required when installing in recirculation mode.

OPERATION

Control Panel and Button Functions

	Switch the engine on and off.
1	The motor runs at low speed.
2	The motor runs at medium speed.
3	The motor runs at high speed.
	Switch the light on and off.

Remark: If you need extra strong power, you can long press the button "3" on the panel to enter Booster mode. The booster setting will run 5 mins max.; after 5 mins, the speed will turn back to 3rd speed.

	1	Press button (1) to switch the motor on or off.
	2	Press button (2) to decrease power or speed.
	3	Press button (3) to increase power or speed.
	4	Press the button (4) to turn the light on or off.
	5	Press the key (5) when the power is on to activate the timer mode. The pre-set time for the timer is 5 minutes. When the timer has expired, the cooker hood will automatically turn off.

To calibrate the remote control

In standby mode, long press the on/off button **on the hood panel** for 3 seconds till it flashes, then immediately press the on/off button **on the remote control** to complete

- If the calibration was successful, an acoustic signal sounds.
- If the calibration was not successful, the cooker hood switches to standby mode.

Remark: The Sequences of speed: 1st speed, 2nd speed, 3rd speed & booster.

Booster: the booster setting will run 5 mins max.; after 5 mins, the speed will turn back to 3rd speed.

TROUBLESHOOTING

Fault	Cause	Solution
Light on, but fan does not work	The fan blade is jammed.	Switch off the unit and repair by qualified service personnel only.
	The motor is damaged.	
Both light and fan do not work	light bulb burn.	Replace the bulb with correct rating.
	Power cord loose.	Plug in to the power supply again.
Serious Vibration of the unit	The fan blade is damaged.	Switch off the unit and repair by qualified service personnel only.
	The fan motor is not fixed tightly.	
	The unit is not hung properly on the bracket.	Take down the unit and check whether the bracket is in proper location.
Suction performance not good	Too long distance between the unit and the cooking plane	Ensure hood is between 65-150cm from hob and 150mm ducting is used.

CLEANING AND CARE

Monthly Cleaning for Grease Filter

Clean the filter every month can prevent any risk of fire. The filter collects grease, smoke and dust, so the filter is directly affecting the efficiency of the cooker hood. If not cleaned, the grease residue (potential flammable) will saturate on the filter. Clean it with household cleaning detergent.

Annual Cleaning for Activated Filter

Apply solely to unit that installed as a recirculation unit (not vented to the outside). This filter traps odours and must be replaced at least once a year depending on how frequent the cooker hood is used.

Replacing carbon filter

1. Open the light panel
2. Take out the Alum. filter
3. Take out the carbon filter and place a new one.

Replacing Bulbs

- 1 Switch the unit off and unplug the appliance.
- 2 Remove the lamp cover by unscrewing the 2 screws.
- 3 Unscrew the incandescent bulb. Replace with the same type and rated bulb.

HINTS ON DISPOSAL



According to the European waste regulation 2012/19/EU this symbol on the product or on its packaging indicates that this product may not be treated as household waste. Instead it should be taken to the appropriate collection point for the recycling of electrical and electronic equipment. By ensuring this product is disposed of correctly, you will help prevent potential negative consequences for the environment and human health, which could otherwise be caused by inappropriate waste handling of this product. For more detailed information about recycling of this product, please contact your local council or your household waste disposal service.

TECHNICAL DATA	
Type	Ceiling Cooker Hood
Material	Stainless Steel & Glass
Installation width mm	900
Ceiling Installation	✓
Control Type	Touch & Remote
Recirculation	Optional
Annual energy consumption	41.4 kW/h
(AEChood) Energy efficiency category	A
Fluid dynamical efficiency (FDEhood)	32.7
Fluid dynamical efficiency category	A
Lighting efficiency (LEhood)	20.0 lux/W
Lighting efficiency category	C
Grease separation	77%
Grease separation category	C
Air flow	254.5m ³ /hr – 562.1m ³ /hr
Maximum air flow Qmax	603.5m ³ /h
Airflow at boost setting	751.1
A-rated noise emission	47dB – 65dB (71dB at boost)
Power consumption off (Po)	0.48W
Power consumption standby (Ps) Power	-W
Consumption lighting system (W)	9.0W
Connected load	129W
Illuminant	✓ / LED
Power consumption per illuminant unit	3 * 3W
Voltage / frequency	220 – 240 V AC /50Hz
Height Adjustment in mm	200
Grease filter / material / dishwasher safe	2 / aluminium / ✓
Carbon filter	Optional
Installation material	✓
Instruction manual	✓
Dimension appliance HxWxD mm	217 x 500 x 900
Weight net / gross kg	17 / 21