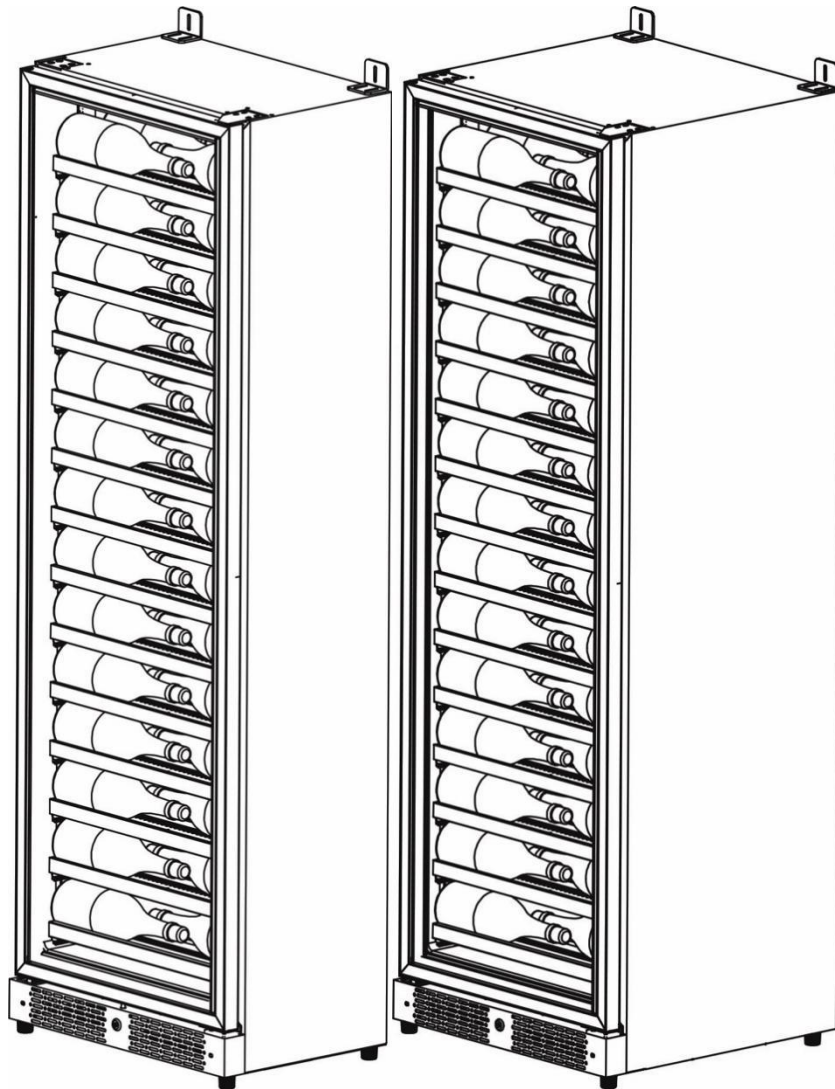


# WINE COOLER USER GUIDE



PeVino – PBI58S

PeVino – PBI100S

PeVino – PBI58D

PeVino – PBI100D

(Dansk version: side 25)

[www.pevino.com](http://www.pevino.com)

**THANK YOU FOR PURCHASING A PEVINO WINE COOLER.**

**BEFORE USE, PLEASE READ AND FOLLOW ALL SAFETY RULES AND  
OPERATING INSTRUCTIONS.**

### Safety Tips

Before using this appliance, it must be properly positioned and installed as described in this manual, so please read carefully. To reduce the risk of fire, electrical shock or injury when using the appliance, follow these basic precautions.



- The wine cooler is designed to be fixed on the wall. If it is not fixed on the wall, the machine can easily tip over, resulting in personal injury or death.
- Plug into a grounded 3-prong outlet. Do not under any circumstances cut or remove the third ground prong from the power cord supplied, do not use an adapter, and do not use an extension cord.
- It is recommended that a separate circuit, serving only your appliance be used. Do not use outlets that can be turned off by a switch or pull chain.
- Never clean appliance parts with flammable fluids and do not store or use gasoline or other flammable vapors and liquids in the vicinity of this or any other appliance. The fumes can create a fire hazard or explosion.
- Unplug the appliance or disconnect power before cleaning or servicing. Failure to do so can result in electrical shock or death.
- Do not attempt to repair or replace any part of your appliance unless it is specifically recommended in this manual. All other servicing should be referred to a qualified technician.

 **WARNING** 

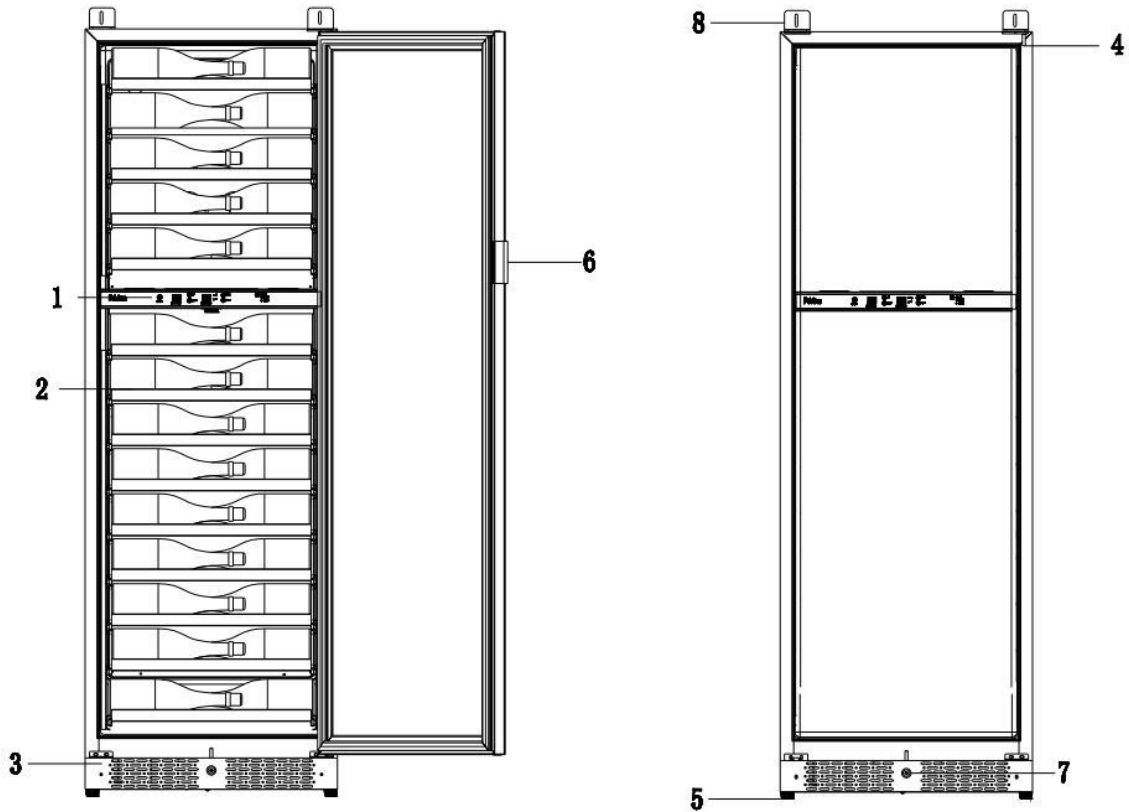
- Use two or more people to move and install appliance. Failure to do so can result in back or other injury.
- To ensure proper ventilation for your appliance, the front of the unit must be completely unobstructed. Choose a well-ventilated area with temperatures above 10°C and below 38C. This unit must be installed in an area protected from the element, such as wind, rain, water spray or drips.
- The appliance should not be located next to ovens, grills or other high heat sources or in areas of extreme cold.
- The appliance must be installed in accordance with state and local codes. A standard electrical supply (220 V-240V AC only, 50 Hz), properly grounded in accordance with the National Electrical Code and local ordinances is required.
- Do not kink or pinch the power supply cord of appliance.
- The fuse (or circuit breaker) size should be 15 amperes.
- It is important for the appliance to be leveled in order to work properly. You may need to make several adjustments to level it.
- Never allow children to operate, play with or crawl inside the appliance. Child entrapment and suffocation are not just problems of the past, junked or abandoned appliances are still dangerous. When no longer using your old wine cellar, take off the door and leave the shelves in place so that children may not climb inside easily.
- Do not use solvent-based cleansers or abrasives on the interior as they may damage or discolor the interior.
- Because of potential safety hazards under certain conditions, it is strongly recommended that you do not use an extension cord with this appliance. However, if you must use an extension cord, it is absolutely necessary that it be a CE-Listed, 3-wire grounding type appliance extension cord having a grounding type plug and outlet and that the electrical rating of the cord be 220 V-240V volts and at least 10 amperes.
- If the appliance is going to be used in an area that is prone to power surges/outages, it is suggested that you use a power surge protector. The surge protector that you select must have a surge block high enough to protect the appliance it is connected to. Damages due to power surges are not considered a manufacturer covered defect and will void your product warranty.
- The cord should be secured behind the appliance and not left exposed or dangling to prevent accidental injury. Never unplug the appliance by pulling the power cord. Always grip the plug firmly and pull straight out from the receptacle. Repair or replace immediately all power cords that have become frayed or otherwise damaged. Do not use a cord with cracks or abrasion damage along its length or at either end. When moving the appliance, be careful not to damage the power cord.



- For safety reasons and to ensure the optimum functionality of the wine cooler it's important that you connect your wine cooler using an earth/ground connection plug and keep the wine cooler perfectly plumb and level.
- The wine coolers in this instruction manual are suitable for freestanding and built-in installation. Don't place a built-in wine cooler on a heated surface such as heated flooring, as this will affect the cooling function.
- Do not use this apparatus for other than its intended purpose.

Failure to heed these safety warnings may result in extensive product damage, serious personal injury, or death.

**Diagram and Description**



1. Control Panel
2. Sliding Shelves
3. Front Ventilation Base
4. Door Hinge
5. Adjustable Feet
6. Handle (handle is an accessory to be purchased separately)

## **Installation Instructions**

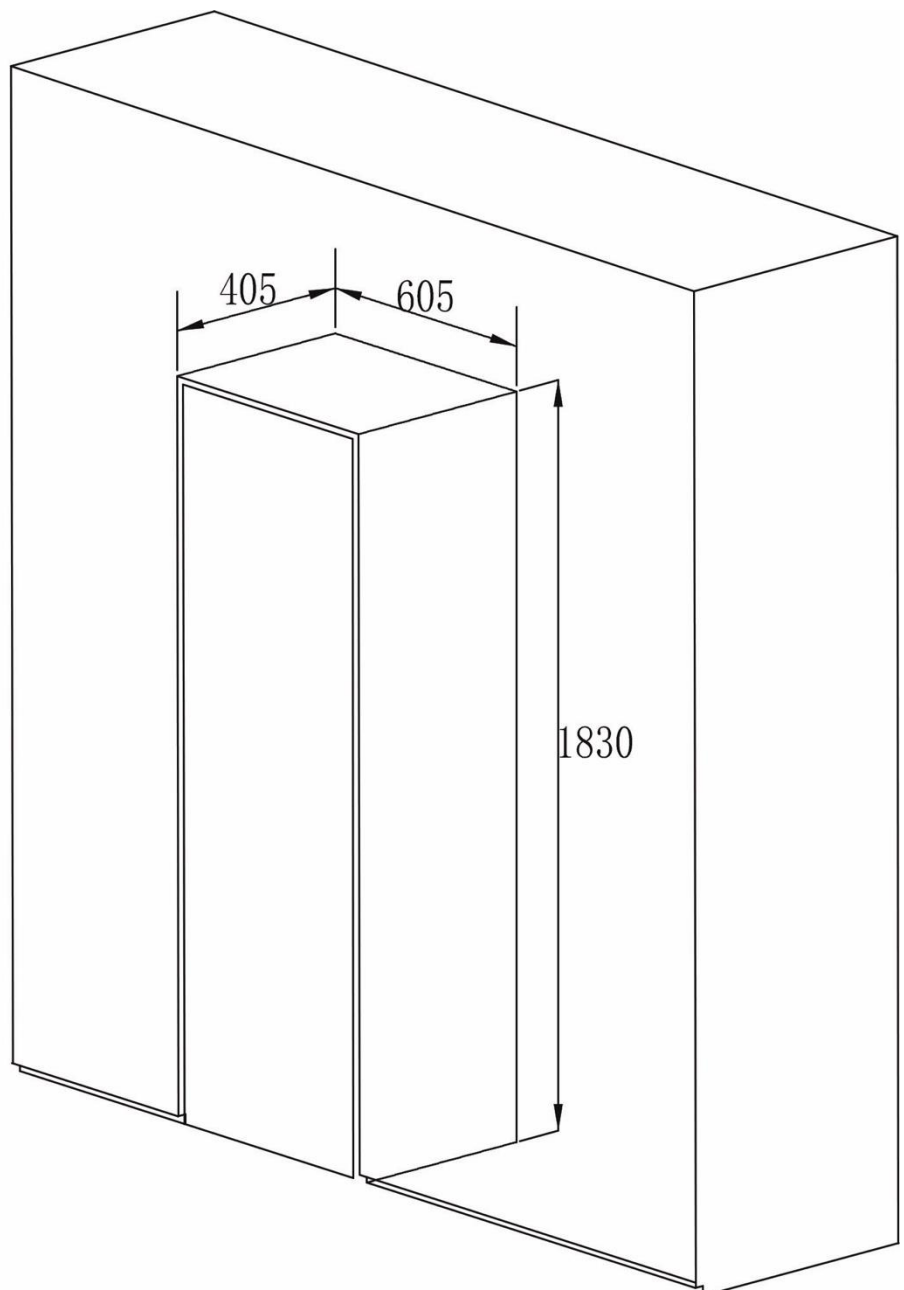
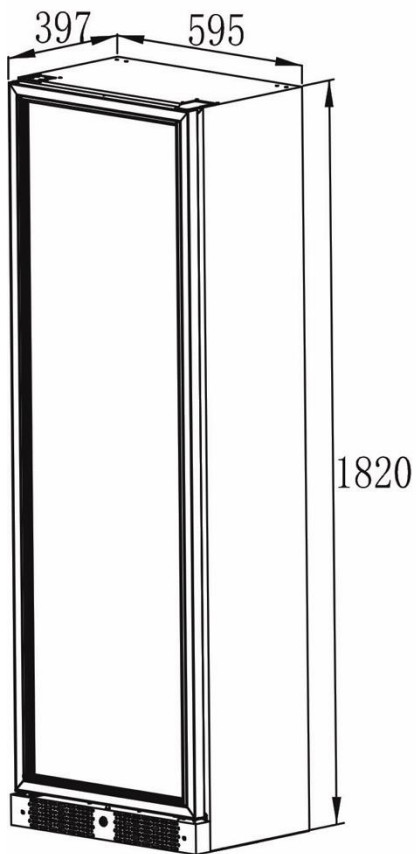
### BEFORE USE:

- Remove the exterior and interior packaging.
- Before connecting the unit to the power source, let it stand upright for approximately 2 hours. This will reduce the possibility of a malfunction in the cooling system from handling during transportation.
- Clean the interior surface with lukewarm water using a soft cloth.
- Install handles.
- This appliance is designed for built-in (fully recessed) installation, please fix the unit on the wall with the strap firstly
- Place the unit on a flat, solid floor that is strong enough to support it when it is fully loaded. To level the appliance, adjust the front leveling leg at the bottom of the unit.
- When moving your wine cellar, please do not incline it more than 45 degrees.
- Locate the appliance away from direct sunlight and sources of heat (stove, heater, radiator, etc.). Direct sunlight may affect the acrylic coating and heat sources may increase electrical consumption. Extreme cold ambient temperatures may also cause the unit to perform improperly. The optimal ambient temperature range is 10°C - 38°C.
- Avoid locating the unit in damp areas.
- Plug the wine cellar into an exclusive, properly installed and grounded wall outlet. Do not under any circumstances cut or remove the third (ground) prong from the power cord. Any questions concerning power and/or electrical grounding should be directed to a certified electrician or authorized products service center.
- After plugging the appliance into a wall outlet, allow the unit to cool down for 3 to 4 hours before placing wine bottles in the appliance.

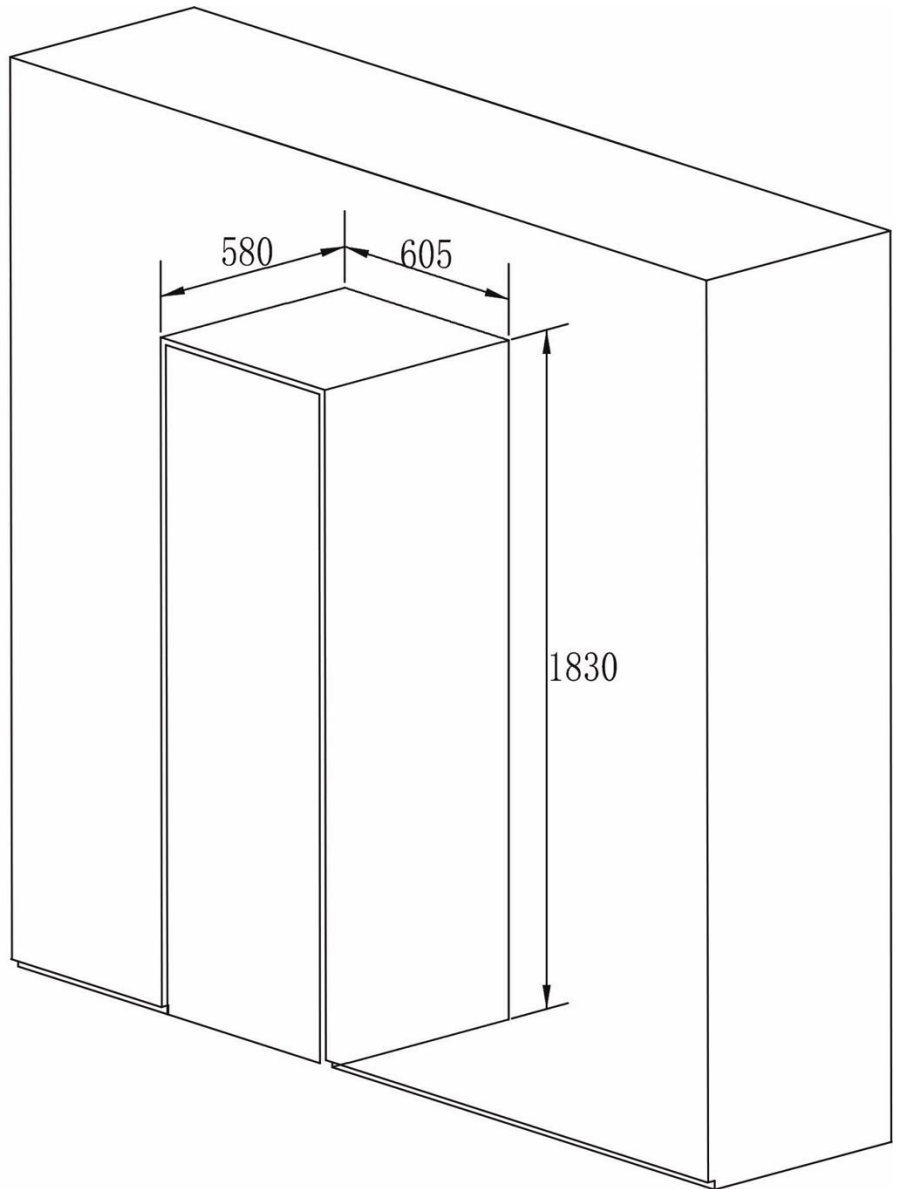
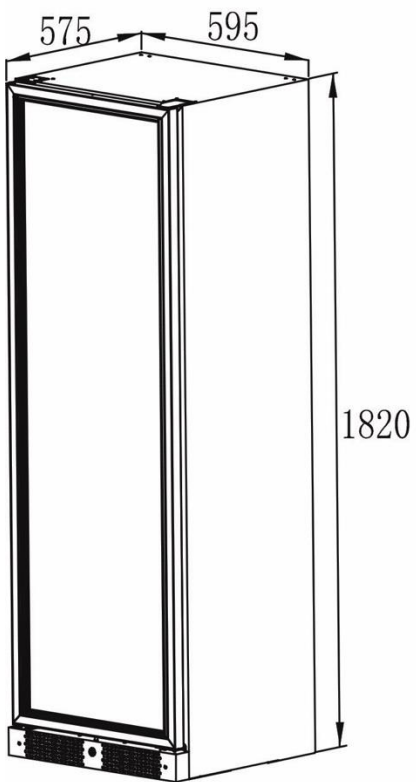
## Installation diagram

This is a wine cooler for free standing or to be installed inside a cabinet. The cabinet must be with good ventilation space and no back panel, otherwise it will affect the wine cooler's ability to function normally. Please follow the installation diagram.

### PBI58S & PBI58D

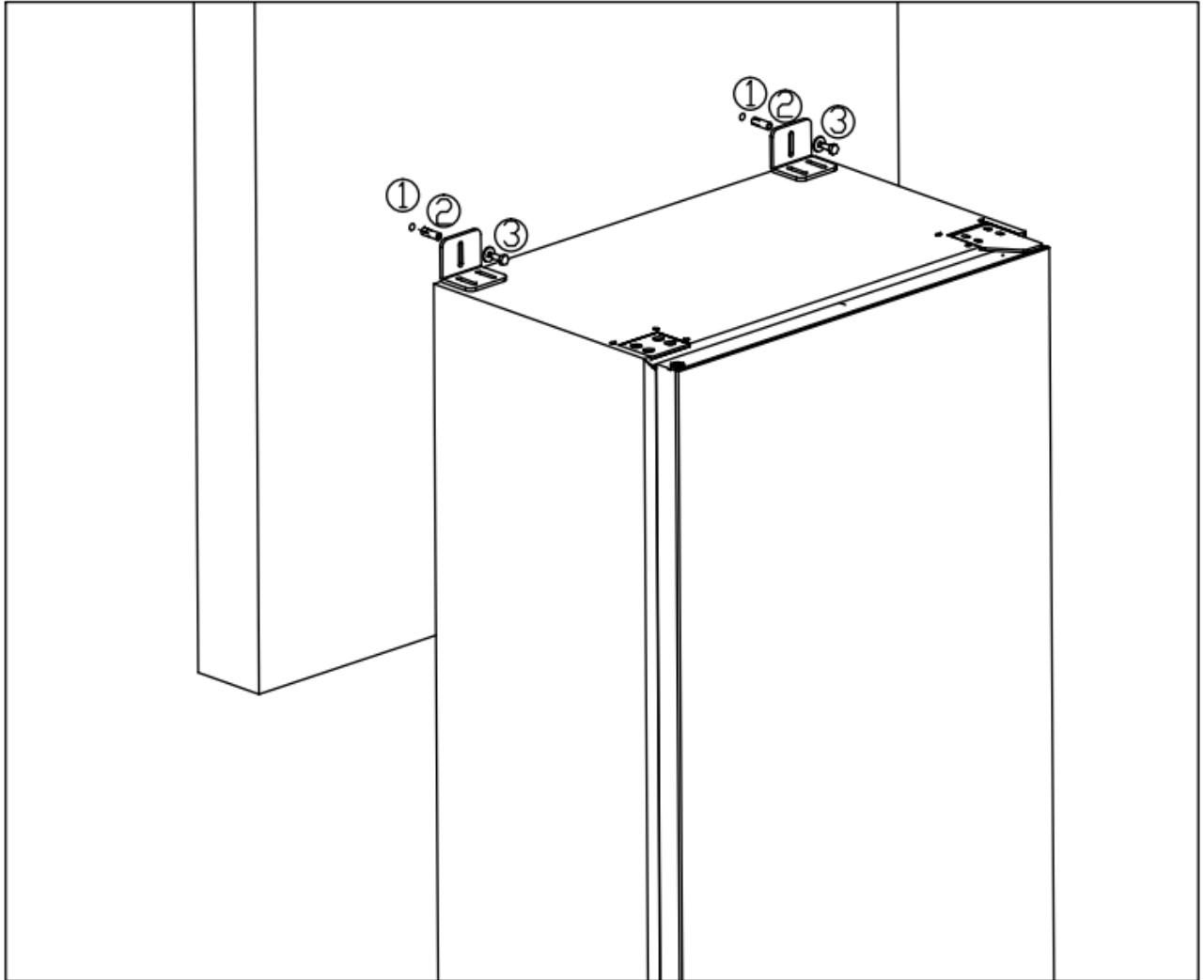


**PBI100S & PBI100D**



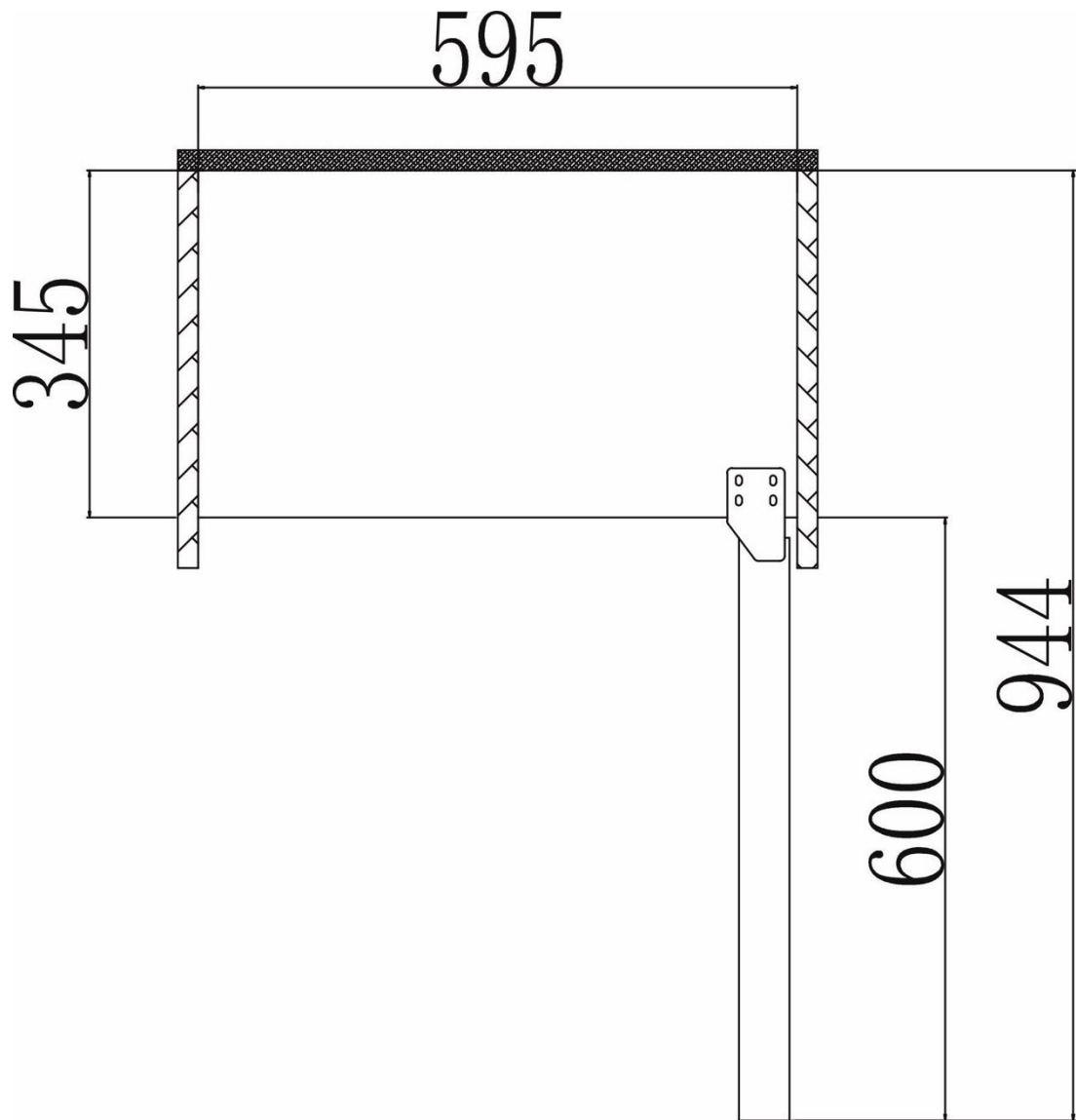


## WALL MOUNTING

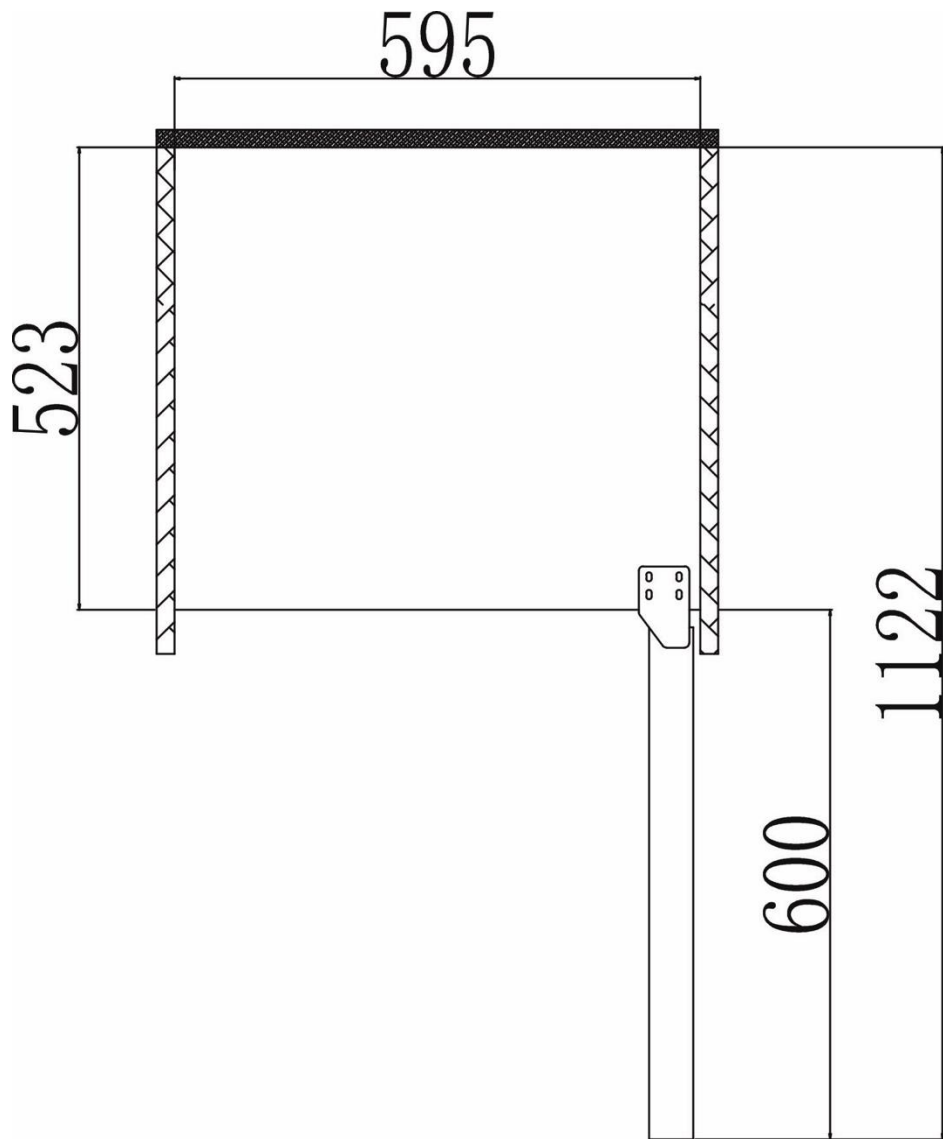


**DOOR OPENING ANGLE AND DIMENSIONS**

**PBI58S & PBI58D**



**PBI100S & PBI100D**

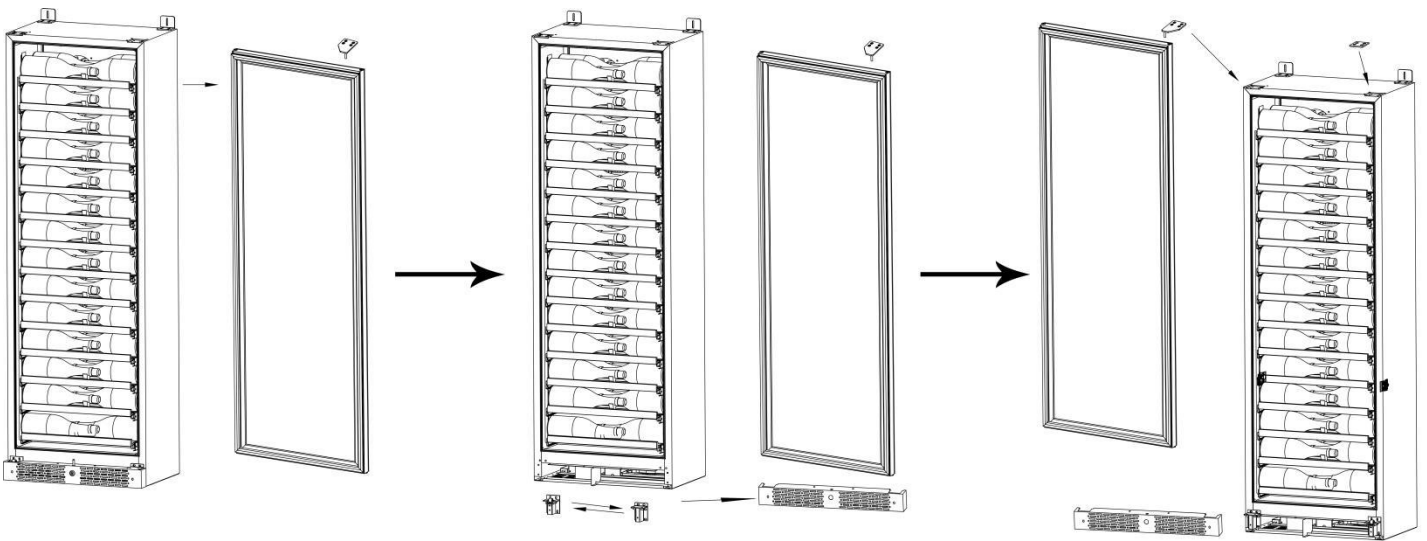


## Reverse the door

**Step 1:** remove the right top hinge, then we can remove the door

**Step 2:** remove the bottom grill and exchange the bottom hinge

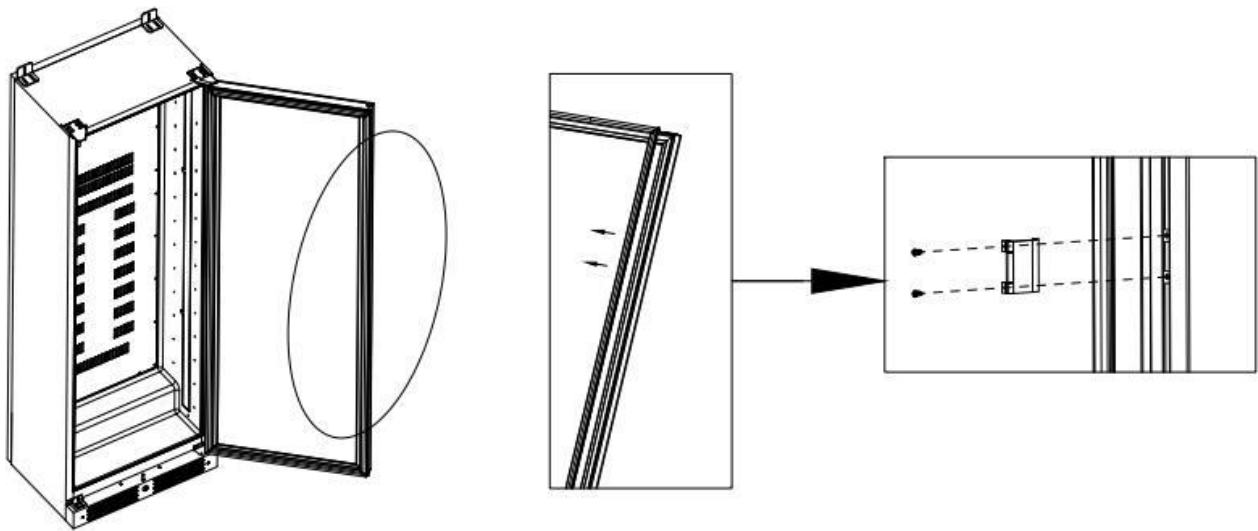
**Step 3:** install the door on the left bottom hinge, then install the left top hinge and install the hinge cover on the right top



## Handle Installation

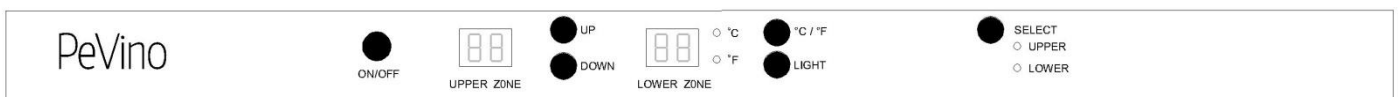
**Step 1:** Pull out a bit of the rubber gasket from the back side

**Step 2:** put the metal handle into the hole of the back side ,Insert the screws through the holes and connect with the handle.



## Operation Instructions

The wine cellar should be placed in an area where the ambient temperature is between 10-38 degrees Celsius. If the ambient temperature is above or below this range, the performance of the unit may be affected. For example, placing your unit in extreme cold or hot conditions may cause the interior temperatures to fluctuate.



Your Wine Cooler includes an operating panel on the front. The operating panel includes several features to operate and control the temperature of the wine refrigerator, including:

ON/OFF - Turns the unit on or off

UPPER ZONE - Displays the temperature of the upper zone (not available on single zone models)

UP/DOWN Buttons – Increases or decreases the temperature in 1 degree increments

LOWER ZONE - Displays the temperature of the lower zone

°C / °F – Indicates whether the displayed temperatures are in Celsius and Fahrenheit

°C / °F Button – Toggles the displayed temperatures between Celsius and Fahrenheit

LIGHT – 1. Press the LIGHT button to turn the light on/off, or change the light color. The order of change is as follows: ON, red, orange, green, blue, white, OFF.

2. While holding down the LIGHT button, press the UP button to increase the brightness, or press the DOWN button to decrease the light brightness. Brightness is divided into 5 levels: 20%, 40%, 60%, 80% and 100%.

SELECT – Toggles between the upper and lower zone for temperature adjustment (not available on single zone models)

UPPER/LOWER – Indicates whether you are adjusting the temperature for the upper or lower zone (not available on single zone models)

If you are going on vacation, you may leave the wine cellar operating during vacations of less than three weeks. If the appliance will not be used for several months, you should remove all items and turn off the appliance. Clean and dry the interior thoroughly. To prevent mold growth, leave the door open slightly, blocking it open if necessary.

## Setting Temperature

This appliance is intended to be used exclusively for the storage of wine. The appliance is not suitable for freezing foodstuffs. Other things should be avoided in front of the fan and air inlet as much as possible to avoid blocking the air inlet and affecting the cooling efficiency. Please set the temperature according to the type of wine.

This product is used to chill wine. The ex-factory temperature of this product is 12°C, and the corresponding temperature range needs to be set according to the actual wine.

All wines mature optimally at the same ideal temperature, which is a constant temperature set between 12°C to 14°C. This being said and as it is for natural cellars used by wine producers for long period of storage, it is not the exact temperature that is important, but its consistency. In other words, as long as the temperature of your wine cooler is constant (12°C - 14°C) your wines will be stored in perfect conditions.

You can set the temperature as you desire by touching the UP or DOWN button. When you touch the buttons for the first time, the LED readout will show the original temperature set at the manufacturing facility. Each



push of the button will adjust the temperature by one degree in the desired direction. Please be aware that the desired temperatures may fluctuate depending on whether the interior light is ON or OFF and depending on the orientation of the bottles.

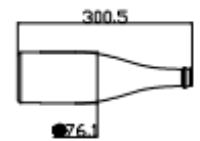
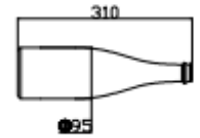
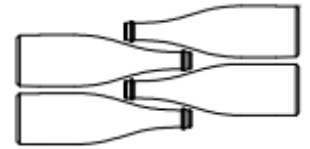
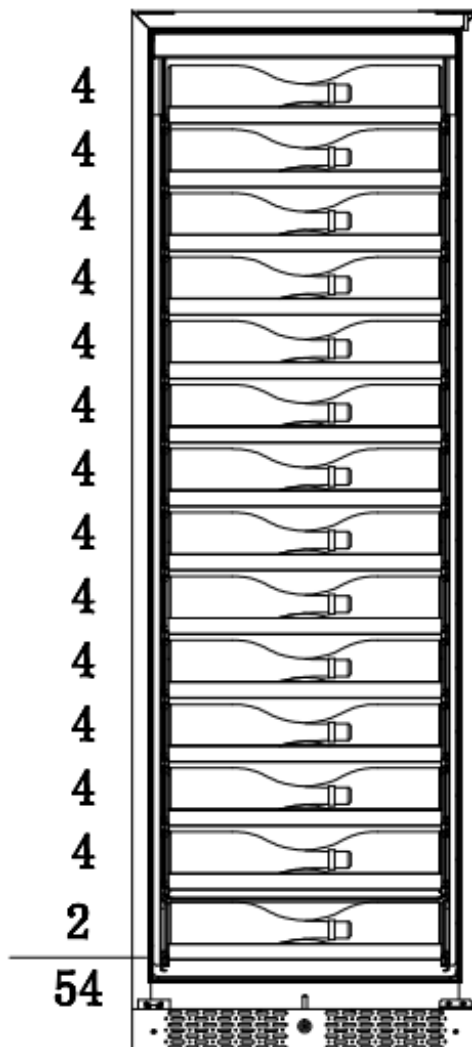
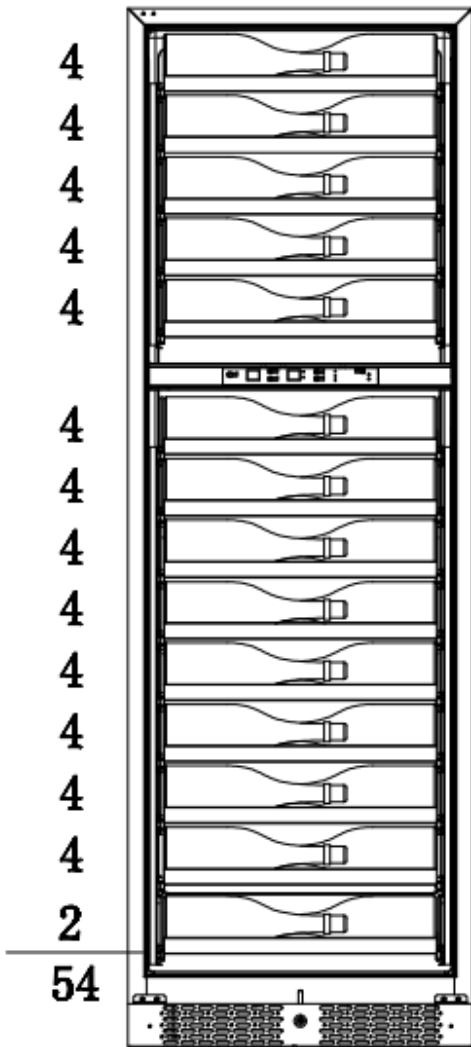
PLEASE NOTE:

- In the event of a power interruption, all previous temperature settings will be automatically saved and each compartment will return to the previous temperature setting.
- If the unit is unplugged, loses power, or is turned off, you must wait 3 to 5 minutes before restarting. Attempting to restart the wine cellar before this time has elapsed may prevent it from starting.
- When you use the wine cellar for the first time or restart the wine cellar after having been shut off for a long time, there will be a few degrees variance between the temperature you select and the one indicated on the LED readout for the first few hours of operation. After a few hours of operation, the temperature will normalize to the displayed temperature.

PBI58D & PBI58S

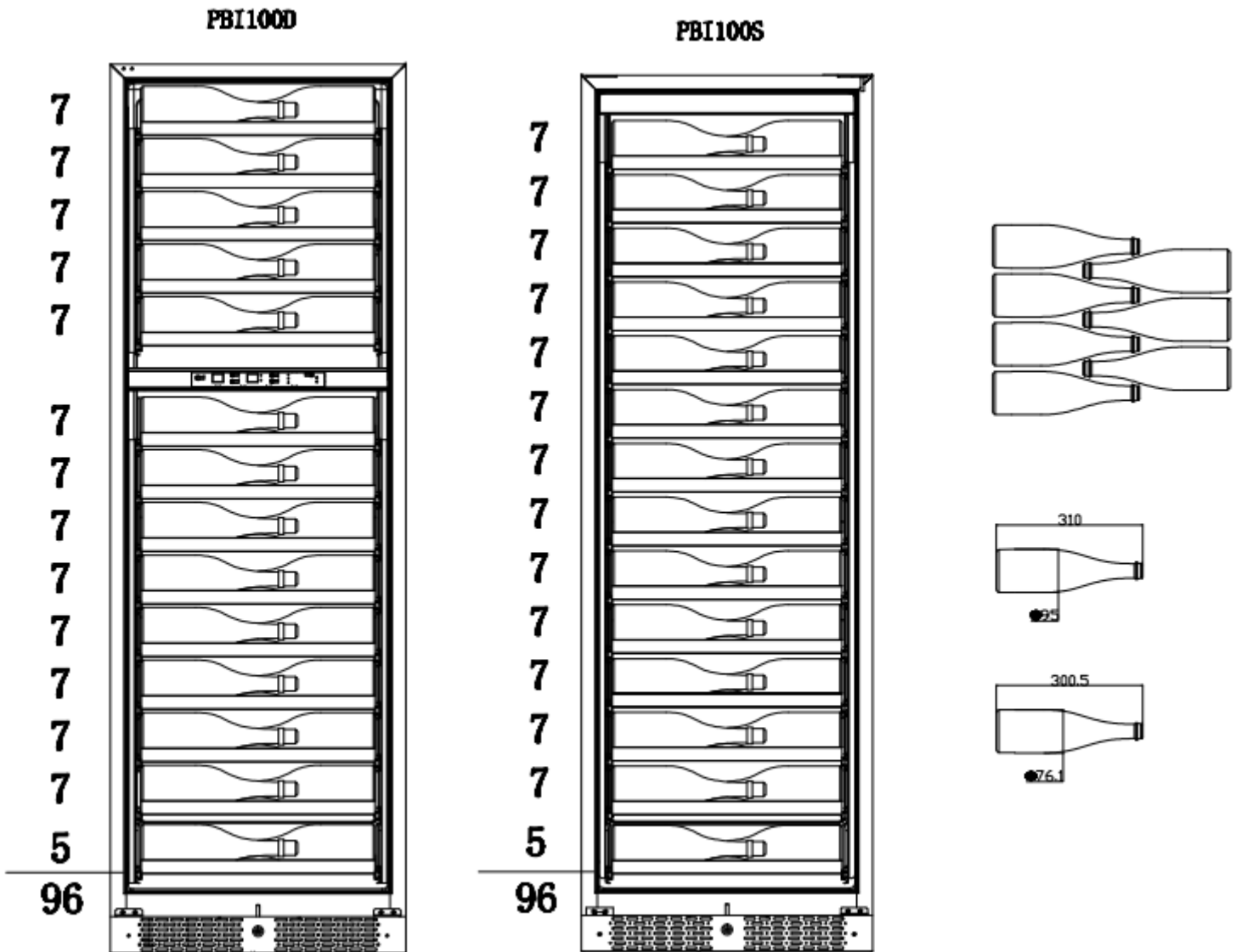
PBI58D

PBI58S



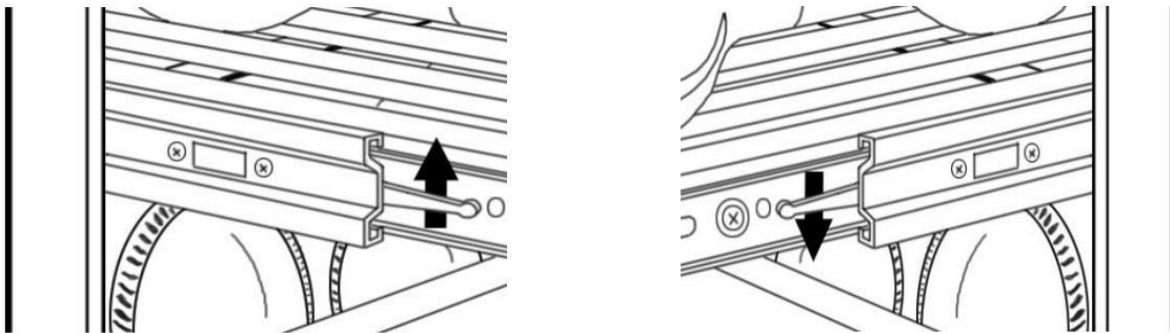


PBI100D & PBI100S



## Racking Configuration

Disperse your bottles evenly throughout the unit so as not to concentrate weight in any one area. This also helps to provide an even temperature range throughout the unit. Make sure that bottles are not all grouped together either at the top or bottom of the cabinet. Never try to pull out more than one sliding shelf at a time as it can cause the appliance to tip forward.



Each of the sliding shelves are removable. To remove a shelf, pull it out as far as you can. There are levers on each side of the shelf near the rollers. Lift the lever on the left-hand side and push down the lever on the right-hand side to remove the shelf from the tracks.

## Care and Maintenance

Cleaning your wine cellar:

- Turn off the power, unplug the appliance, and remove all items.
- Wash the inside surfaces with warm water and baking soda solution. The solution should be about 2 tablespoons of baking soda to a quart of water.
- Wash the shelves with a mild detergent solution.
- Wring excess water out of the sponge or cloth when cleaning area of the controls, or any electrical parts.
- Wash the outside cabinet with warm water and mild liquid detergent. Rinse and wipe dry with a clean soft cloth.
- Dust the front grill and back of the unit twice yearly. Make sure the power is off before cleaning.
- It is recommended to clean the unit completely inside and out yearly to maximize the longevity of the product.

Moving your wine cellar:

- Remove all bottles and any other items you may have inside the unit.
- Securely tape down all loose items (shelves) inside your appliance and tape the door shut.
- Turn the adjustable leg up to the base to avoid damage.
- Be sure the appliance stays secure in the upright position during transportation.
- Protect the outside of the appliance with a blanket or similar item.

## Troubleshooting

There are many common issues you may experience with your wine cellar that can be solved very easily, without the need of a service call. Try the tips below to troubleshoot your unit should you experience any problems:

| PROBLEM  | POSSIBLE CAUSE   | SOLUTION  |
|--|--|---|
| <b>1. Refrigerator does not operate</b>  | 1. Not plugged in  | 1. Press ON/OFF   |
|  | 2. The appliance is turned OFF at the control panel                        | 2. Check and make sure the power plug is well connected   |
|  | 3. The power outlet is powered off or the output voltage is too low        | 3. Ask a technician to check whether the power outlet has an accurate voltage output  |
|  | 4. The circuit breaker has tripped, or a fuse has blown out                | 4. Ask an technician for help   |
| <b>2. Refrigerator is not cold enough; can not cool down to the preset temp.</b> | The compressor does not start  | ask a technician for help / check the connection of the compressor  |
|  | The ambient temperature is too high (over 100°F   38°C)                    | Move the refrigerator to a cool and ventilated place  |
|  | Place too many bottles at once   | Put in the bottles in batches. It is recommended not to exceed 1/3 of full load at a time. After the temperature in the cabinet drops to the set temperature, store the next batch.             |
|  | The inlet and outlet of the front grille are blocked.                      | Remove objects that may block the air inlet and outlet  |
|  | The door is not closed tightly, or the door gasket is not properly sealed. | Please refer to the problem #6 “The door will not close properly” and its solutions. Then unplug the power plug for 5 hours, wait for the ice on the evaporator melt, restart the refrigerator. |

|  |   |  |
|--|---|--|
|  | The door opening time is too long or too frequent   | Reduce the times/frequency of door openings.   |
|  | There are other objects besides drink bottles in the cabinet, which affects the air circulation.  | This refrigerator is designed for wine storage, if there are other objects, please remove it. The number of bottles placed on each layer cannot exceed the standard configuration.   |
|  | If the refrigerator is placed outdoors or in a place with a lot of dust/oil stains, after a period of time, a large amount of dust will accumulate on the condenser fins, which will affect the cooling effect. | Move the refrigerator to a place with less dust, regularly check the dust accumulation status, and clean it with a blower.   |
|  | Fans (condenser fan or evaporator fan) stop working or operate at low speed   | Ask the technician to check whether there is a standard voltage on the fan terminal when turning on the power. If the voltage is abnormal, please check the switching power supply or the motherboard or circuit failure. If the voltage is normal, the fan may be damaged, please replace with a new fan. |
|  | The compressor or its accessories are damaged   | Turn off the power and ask the technician to diagnose.   |
| <b>3. Compressor starts and stops frequently</b> | The door is not closed tightly.   | Please refer to the problem #6 “The door will not close properly” and its solutions. Then unplug the power plug for 5 hours, wait for the ice on the evaporator melt, restart the refrigerator.  |
|  | The door gasket is not properly sealed.   | <ol style="list-style-type: none"> <li>1. Use low heat on a hairdryer to make the door seal take shape.</li> <li>2. Replace with a new door gasket.</li> </ol>   |
|  | The door is opened too often.   | Reduce the times/frequency of door openings.   |
|  | The ambient temperature is too high (over 100°F   38°C)   | Move the refrigerator to a cool and ventilated place   |
|  | Improper setting of temperature and the temperature variances   | Properly increase the temperature and its variances  |
|  | The temperature sensor is not connected correctly.  | Read the wiring diagram to make the correct connection of the sensor.  |
|  | The sensor is faulty.   | Replace with a new sensor  |
| <b>4. The light does not work.</b>               | Not plugged in, or the light button is "OFF."<br>Not enough brightness. The light itself is faulty. PCB circuit faulty.   | <ol style="list-style-type: none"> <li>1. Adjust the brightness of the lamp according to the operating instructions.</li> <li>2. Replace with new bulb; the lamp has its polarity.</li> <li>3. Find a technician to repair.</li> </ol>   |

|  |  |   |
|--|--|---|
| <b>5. The Refrigerator seems to make too much noise.</b> | No standing hours before connecting the refrigerator to the power source.                          | Turn off the power and let it stand for hours.  |
|  | The stand feet is not leveling; vibrations lead to noise   | Adjust the stand feet and ensure they are leveled.  |
|  | The floor is not stable enough   | Move to a solid and stable floor  |
|  | Hot and cold contraction sounds of the inner tank and other plastics                               | No action required. It will gradually disappear.  |
|  | Copper pipe hits other objects and makes noise   | Gently adjust the position of the pipe.   |
|  | The vibration of internal moving parts caused by inertia when the compressor is stopped or started | It's normal, no action required.  |
|  | A liquid plumbing noise may come from the flow of the refrigerators gases                          | As each cycle ends, you may hear gurgling sounds. It's normal, no action required.  |
|  | Vibration of cooling copper pipes or fans hit other objects  | Open the back cover of the refrigerator, and properly adjust the copper pipes and wires so that they will not hit or resonate with other objects.   |
|  | Compressor or fan itself failure   | Find a technician to repair.  |
| <b>6. The door will not close properly.</b>              | Door is blocked by the non-standard size bottles   | Adjust the position of bottles, or the number of shelves appropriately  |
|  | The hinges of the upper and lower doors are loose  | Adjust and fix the door hinge   |
|  | The door sealing rubber is deformed  | 1. Use low heat on a hairdryer to make the door seal take shape.<br>2. Replace with a new door gasket.  |
|  | The door body is deformed  | Replace with a new door   |
| <b>7. Evaporator ice up</b>                              | The door is not closed tightly, or the door gasket is not properly sealed.                         | Please refer to the problem #6 “The door will not close properly” and its solutions. Then unplug the power plug for 5 hours, wait for the ice on the evaporator melt, restart the refrigerator.   |
|  | Poor cooling performance. The fridge does not cool or can not reach the preset temperature value.  | Please refer to the problem #2 “Refrigerator is not cold enough; can not cool down to the preset temp.” and the corresponding solutions. Then unplug the power plug for 5 hours, wait for the ice on the evaporator melt, restart the refrigerator. |
|  | The compressor never stops even if the refrigerator cools and reaches the preset temperature value | The controller (PCB board) or temperature sensor is faulty, please ask a technician to repair.  |

|   |   |  |
|---|---|--|
| <b>8. External cabinet seems too hot</b>                                      | The ambient temperature is too high (over 100°F   38°C)   | Move the refrigerator to a cool and ventilated place   |
|   | The inlet and outlet of the front grille are blocked.   | Remove objects that may block the air inlet and outlet   |
|   | If the refrigerator is placed outdoors or in a place with a lot of dust/oil stains, after a period of time, a large amount of dust will accumulate on the condenser fins, which will affect the cooling effect. | Move the refrigerator to a place with less dust, regularly check the dust accumulation status, and clean it with a blower.   |
|   | The condenser fan stops working or operates at low speed  | Ask the technician to check whether there is a standard voltage on the fan terminal when turning on the power. If the voltage is abnormal, please check the switching power supply or the motherboard or circuit failure. If the voltage is normal, the fan may be damaged, please replace with a new fan. |
| <b>9. Condensation on the glass door</b>                                      | Ambient humidity is high  | Use a soft cloth to wipe dry the water   |
|   | The door opening is too frequent  | Reduce the frequency of door openings.   |
|   | The door does not close properly.   | Please refer to the problem #6 “The door will not close properly” and its solutions. Then unplug the power plug for 5 hours, wait for the ice on the evaporator melt, restart the refrigerator.  |
| <b>10. Water leakage (outside of the cabinet)</b>                             | Condensation dripping from the glass door to the floor  | Please refer to the problem #9 “Condensation on the glass door” and its solutions.   |
|   | Water overflows in the water pan next to the compressor   | Open the back cover of the compressor and make sure that the water pipe is in the water receiving tray.  |
| <b>11. Water leakage inside the cabinet</b>                                   | The outlet of the water tray below the evaporator is blocked  | Remove the blockages   |
|   | The water pipe connected to the water tray under the evaporator falls off.  | Re-connect the water pipe, glue it with glue and tighten it with cable ties  |
|   | The water tray cannot catch all the water drops from the evaporator   | Re install the water tray.   |
| <b>12. High humidity in the cabinet or condensation on the bottle surface</b> | Ambient humidity is high  | Move the refrigerator to a cool and ventilated place   |
|   | The door opening time is too long or too frequent   | Reduce the times/frequency of door openings.   |
|   | The door does not close properly.   | Please refer to the problem #6 “The door will not close properly” and its solutions.   |
| <b>13. The temperature</b>  | There are other objects besides drink bottles in the cabinet, which affects the air circulation.  | This refrigerator is designed for wine storage, if there are other objects, please remove it. The number of bottles  |

|   |   |  |
|---|---|--|
| <b>difference between the bottles inside the cabinet is large</b>         |   | placed on each layer cannot exceed the standard configuration.   |
|   | The running time is too short, and the system has not reached a stable state.   | No action required. After extending the cooling time, the temperature inside the cabinet will be uniform.  |
|   | The upper and lower temperatures are not preset properly. (only applicable to dual-zone wine cabinets)  | Adjust the temperature setting value; the best setting is that the preset value in the LOWER zone is 9°F (5°C) higher than the UPPER zone.   |
| <b>14. The power consumption is different from the value on the label</b> | <p>Power consumption is related to many factors, such as ambient temperature, ventilation conditions, the number of bottles in the cabinet, preset temperature, and voltage level. The actual situation may differ from the power consumption indicated on the label. This is normal.</p> | No action required.  |
| <b>15. Incomplete display characters</b>                                  | The number on the display is missing one or two strokes   | The wiring of the display is poor connected. In most cases, it will not affect the cooling function of the refrigerator.   |
|   | The display is not displayed, but the keys have sound   | Find a technician to repair.   |
| <b>16. Button failure</b>   | The door opening time is too long, resulting in too much condensation on the glass panel  | Avoid opening the door for a long time when the machine is turned on, it will return to normal in ten minutes after the door is closed.  |
|   | Signals such as cars, hair dryers, induction cookers, and mobile phones accidentally interfere with the wine cabinet  | Keep away from the signal source, turn off and unplug the power, then restart the refrigerator.  |
|   | Display or control board failure.   | Find a technician to repair.   |
| <b>17. There is smell inside the cabinet</b>                              | The new machine may leave a small amount of environmental cleaner   | No action required, it will disappear gradually  |
|   | The smell of wooden shelves   | No action required, it will disappear gradually  |
| <b>18. Error code U1, C1, U2 or C2</b>                                    | Error code U1 or C1 means the sensor in the UPPER zone is short-circuit or open-circuit.  | The sensor in the UPPER zone is defective, or the socket/plug with UP mark on PCB is poor connected. Please check the connection or replace the sensor.                                      |
|   | Error code U2 or C2 means the sensor in the LOWER zone is short-circuit or open-circuit.  | The sensor in the LOWER zone is defective, or the socket/plug with DOWN mark on PCB is poor connected. Please check the connection or replace the sensor.                                    |
| <b>19. Error code HH</b>  | High-temperature alarm  | Please refer to the problem #2 “Refrigerator is not cold enough; can not cool down to the preset temp.” and its solutions. Then unplug the power plug for 5 hours, restart the refrigerator. |

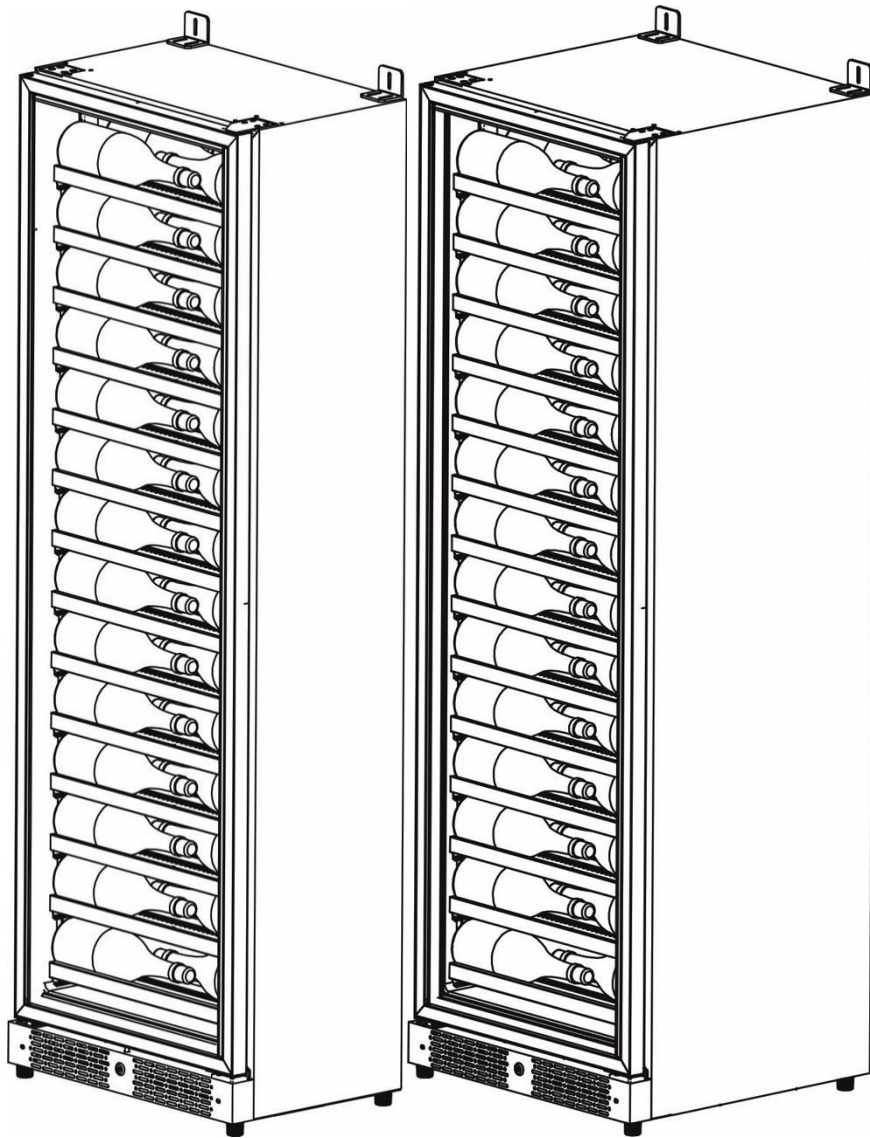
|                          |                       |   |
|--------------------------|-----------------------|---|
| <b>20. Error code LL</b> | Low-temperature alarm | <ol style="list-style-type: none"> <li>1. Unplug the power for 5 hours, restart the refrigerator and check again.</li> <li>2. Check or replace the sensors and control board.</li> <li>3. Check or replace the the electromagnetic valve</li> </ol> |
|--------------------------|-----------------------|---|

## Technical Specifications

| MODEL NO.                               | PBI58D-HHB  | PBI100D-HHB   | PBI58S-HHB                                 | PBI100S-HHB                                |
|---|---|---|--|--|
| <b>VOLUME</b>                           | 209L  | 355L  | 213L                                       | 362L                                       |
| <b>DIMENSION</b>                        | 595W*397D*1820H<br>(with feet height)                                       | 595W*575D*1820H<br>(with feet height)                                 | 595W*397D*1820H<br>(with feet height)      | 595W*575D*1820H<br>(with feet height)      |
| <b>TYPE OF COOLING</b>                  | compressor with air-circulated fan cooling                                  | compressor with air-circulated fan cooling                            | compressor with air-circulated fan cooling | compressor with air-circulated fan cooling |
| <b>Climate Category</b>                 | SN/N/ST   | SN/N/ST   | SN/N/ST                                    | SN/N/ST                                    |
| <b>Electric Shock Protection Rating</b> | I   | I   | I  | I  |
| <b>Rated Voltage</b>                    | 220-240V  | 220-240V  | 220-240V                                   | 220-240V                                   |
| <b>RATED CURRENT(A)</b>                 | 0.5A  | 0.5A  | 0.5A                                       | 0.5A                                       |
| <b>REFRIGERANT</b>                      | R600a   | R600a   | R600a                                      | R600a                                      |
| <b>AMBIENT TEMPERATURE</b>              | 50 - 100 °F ( 10 -38°C)   | 50 - 100 °F (10 -38°C)  | 50 - 100 °F ( 10 -38°C)                    | 50 - 100 °F (10 -38°C)                     |
| <b>TEMPERATURE RANGE</b>                | Upper Zone: 41-60 °F<br>( 5 - 15°C);<br>Lower Zone: 45-64 °F<br>( 7 - 18°C) | Upper Zone: 41-60 °F ( 5 - 15°C);<br>Lower Zone: 45-64 °F ( 7 - 18°C) | 41-64 °F ( 5 - 18°C);                      | 41-64 °F ( 5 - 18°C);                      |
| <b>NET WEIGHT</b>                       | 101kg   | 122kg   | 100kg                                      | 120kg                                      |



**VINKØLESKAB  
BRUGSANVISNING**



**PeVino – PBI58S**

**PeVino – PBI58D**

**PeVino – PBI100S**

**PeVino – PBI100D**

[www.pevino.com](http://www.pevino.com)

**TAK FOR DIT KØB AF ET VINKØLESKAB FRA PEVINO.**

**VENLIGST LÆS OG FØLG ALLE SIKKERHEDSREGLER OG  
BETJENINGSINSTRUKTIONER FØR BRUG.**

### **BEMÆRK**

Ændringer i dette dokument kan ske uden forudgående varsel.

### **Tips til sikkerhed**

Før apparatet tages i brug, skal det være korrekt placeret og installeret som beskrevet i denne vejledning, så læs det omhyggeligt. Følg disse grundlæggende forholdsregler for at reducere risikoen for brand, elektrisk stød eller personskade, når du bruger apparatet.



### **FARE**

- Vinkøleren er beregnet til at blive fastgjort på væggen. Hvis det ikke er fastgjort på væggen, kan maskinen nemt vælte, hvilket resulterer i personskade eller død.
- Sæt stikket i en stikkontakt med jordforbindelse på 3 ben. Du må under ingen omstændigheder klippe eller fjerne det tredje jordstik fra den medfølgende ledning, og brug ikke en forlængerledning.
- Det anbefales, at der anvendes et separat kredsløb, der kun betjener apparatet. Brug ikke stikkontakter, der kan slukkes af en kontakt eller trækkæde.
- Apparatets dele må aldrig rengøres med brændbare væsker, og opbevar eller brug ikke benzin eller andre brændbare dampe og væsker i nærheden af dette eller andre apparater. Dampene kan skabe brandfare eller eksplosion.
- Tag stikket ud af stikkontakten, eller afbryd strømmen, før du rengør eller servicerer. I modsat fald kan resultere i elektrisk stød eller død.

Forsøg ikke at reparere eller udskifte nogen del af apparatet, medmindre det specifikt anbefales i denne vejledning. Al anden service skal henvises til en kvalificeret tekniker.



## FARE

- Brug to eller flere personer til at flytte og installere apparatet. I modsat fald kan det resultere i ryg eller anden skade.
- For at sikre korrekt ventilation af apparatet skal enhedens forside være helt uhindret. Vælg et godt ventileret område med temperaturer over 10°C og under 38°C. Denne enhed skal installeres i et område, der er beskyttet mod elementet, såsom vind, regn, vandspray eller dryp.
- Apparatet må ikke placeres ved siden af ovne, griller eller andre høje varmekilder eller i områder med ekstrem kulde.
- apparatet skal installeres i overensstemmelse med statslige og lokale koder. En standard strømforsyning (220 V-240V AC kun, 50 Hz), korrekt jordnet i overensstemmelse med den nationale elektriske kode og lokale ordinancer er påkrævet.
- Apparatets ledning må ikke knækkes eller klemmes.
- Sikringens (eller afbryderen) størrelse skal være 15 ampere.
- Det er vigtigt, at apparatet skal være i vater for at fungere korrekt. Det kan være nødvendigt at foretage flere justeringer for at udjævne den.
- Lad aldrig børn betjene, lege med eller kravle inde i apparatet. Barn fastklemning og kvælning er ikke kun problemer fra fortiden, udsmidte eller forladte apparater er stadig farlige. Når du ikke længere bruger din gamle vinkælder, tag døren af og lad hylderne på plads, så børn ikke kan klatre ind nemt.
- Brug ikke opløsningsmiddelbaserede rensmidler eller slibemidler på interiøret, da de kan beskadige eller misfarve interiøret.
- På grund af potentielle sikkerhedsrisici under visse forhold anbefales det på det kraftigste, at du ikke bruger en forlængerledning sammen med dette apparat. Men hvis du skal bruge en forlængerledning, er det absolut nødvendigt, at det er en CE-Listed, 3-wire jordforbindelse type apparat forlængerledning med en jordforbindelse type stik og stikkontakt, og at den elektriske rating af ledningen være 220 V-240V volt og mindst 10 ampere.
- Hvis apparatet skal bruges i et område, der er udsat for kraftige overspændinger/udfald, foreslås det, at du bruger en strømstødbeskytter. Den overspændingsbeskytter, du vælger, skal have en overspændingsblok, der er høj nok til at beskytte det apparat, den er tilsluttet. Skader som følge af overspænding betragtes ikke som en producentdækket defekt og vil ugyldiggøre din produktgaranti.
- Ledningen skal fastgøres bag apparatet og må ikke efterlades eksponeret eller dinglende for at undgå utilsigtet personskade. Tag aldrig stikket ud af stikkontakten ved at trække i ledningen. Tag altid godt fat i stikket og træk det lige ud af kontakten. Reparer eller udskift straks alle strømledninger, der er blevet

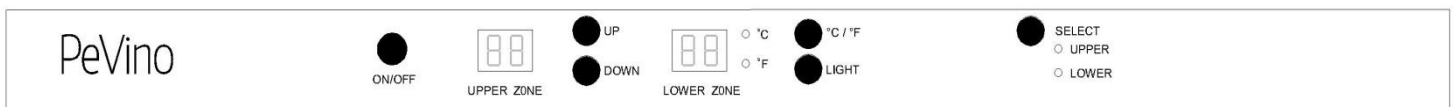
flosset eller på anden måde beskadiget. Brug ikke en ledning med revner eller slidskader langs dens længde eller i begge ender. Når du flytter apparatet, skal du passe på ikke at beskadige ledningen.

- Tilslut vinkøleskabet til en stikkontakt med jordforbindelse. Ethvert spørgsmål angående el bør rettes til en autoriseret elinstallatør.
- Vinkøleskabene i denne manual er egnet til fritstående og indbygget installation. Vær opmærksom på, at du ikke bør indbygge et vinkøleskab på gulv med gulvvarme, da dette kan påvirke vinkøleskabets funktionalitet.
- Brug ikke dette apparat til andet formål end det tilsigtede formål.

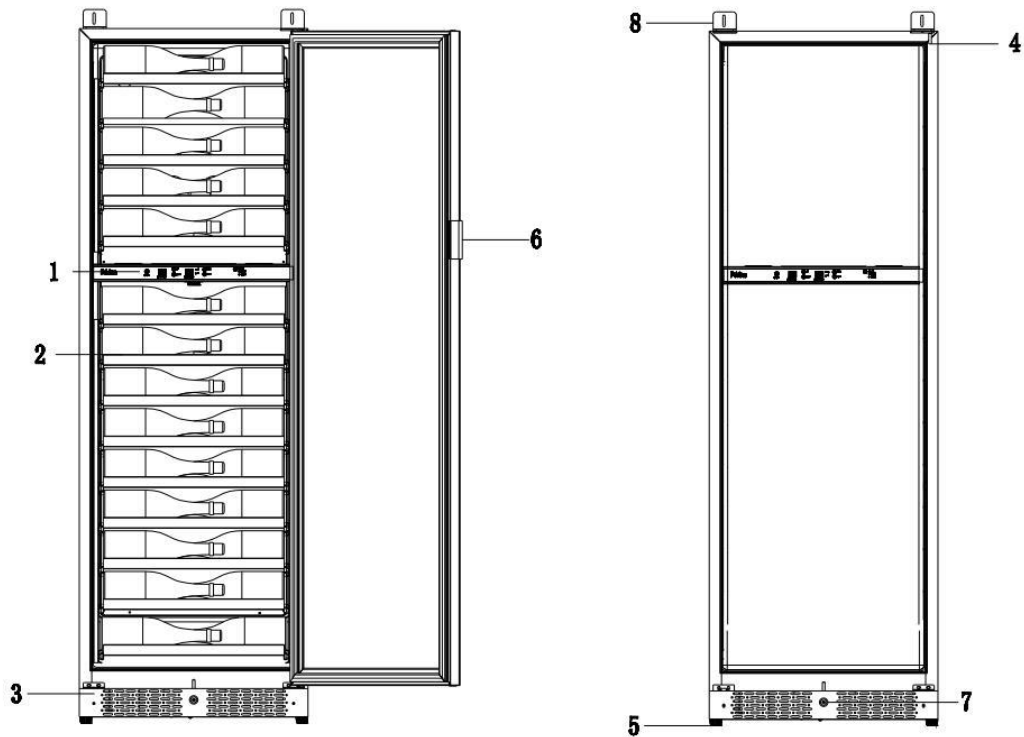
Undladelse af at lytte til disse sikkerhedsadvarsler kan resultere i omfattende produktskader, alvorlig personskade eller død.

## Diagram og beskrivelse

Øverste zone    Nederste zone



Tænd/sluk      op / ned    Celcius / Fahrenheit    Vælg øverst / nederst



1. Kontrolpanel
2. Udtrækshylder
3. Forreste ventilationsrist
4. Dørhængsel
5. Justerbare fødder
6. Håndtag (Håndtag kan købes separat)
7. Lås
8. Væg monterings beslag

## Installationsvejledning

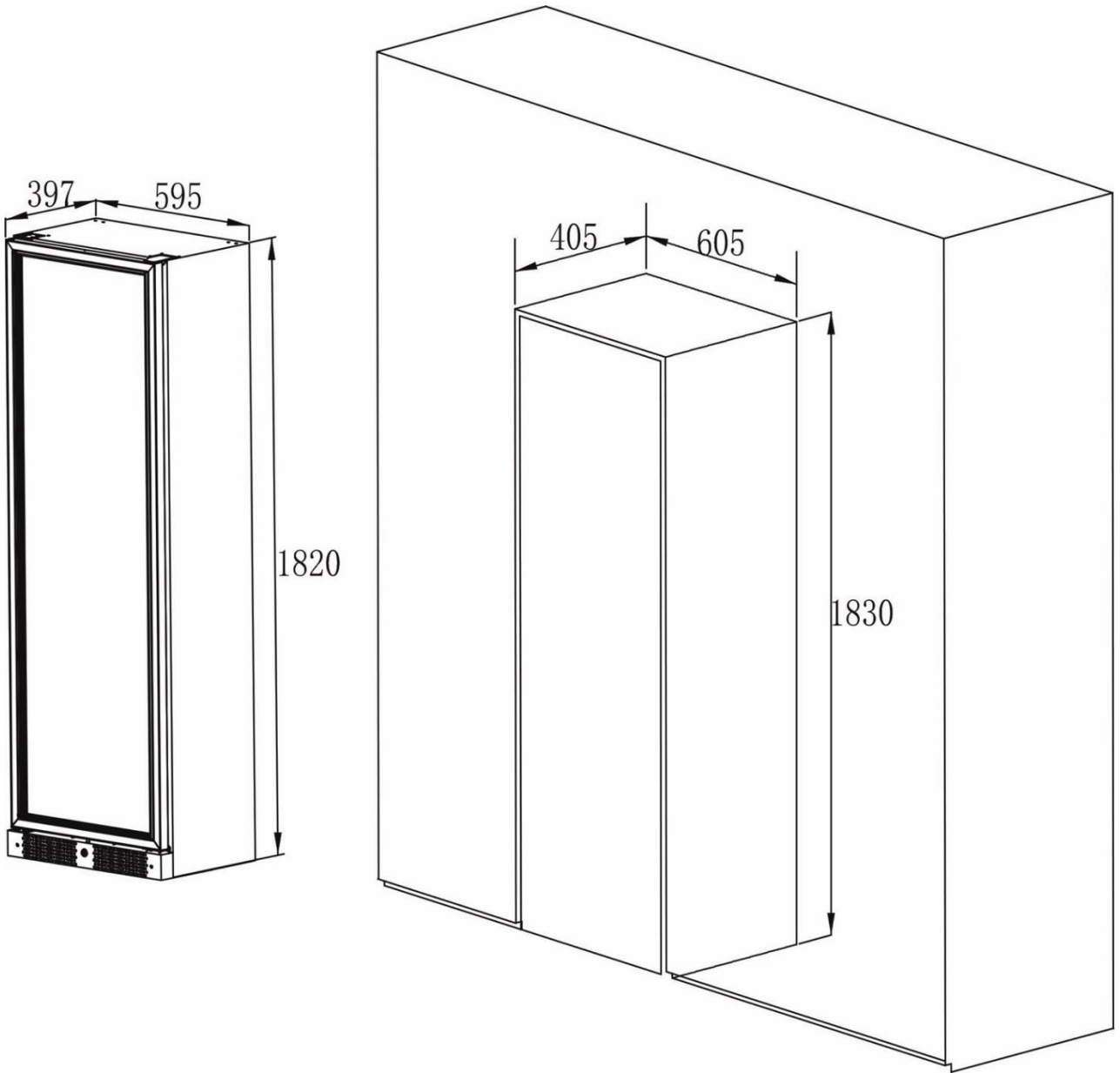
- FØR BRUG:
- Fjern den udvendige og indvendige emballage.
- Før du tilslutter enheden til strømkilden, skal den stå oprejst i ca. 2 timer. Dette vil reducere muligheden for en fejl i kølesystemet fra håndtering under transport.
- Rengør den indvendige overflade med lunkent vand med en blød klud.
- Installer håndtag.
- Dette apparat er beregnet til indbygget (fuldt forsænket) eller frit stående installation, skal du først fastgøre enheden på væggen med remmen/beslaget, og der være fri udluftning til vinkøleskabet. Ved indbygning må skabet ikke stilles på et opvarmet gulv.
- Anbring enheden på et fladt, solidt gulv, der er stærkt nok til at understøtte den, når den er helt lastet. For at stille apparatet i vater justeres det forreste nivelleringsben i bunden af enheden.
- Når du flytter vinkøleren, skal du ikke hælde den mere end 45 grader.
- Apparatet må ikke stå direkte i sollys og ved varmekilder (komfur, varmelegeme, radiator osv.). Direkte sollys kan påvirke akrylbelægningen, og varmekilder kan øge elforbruget. Ekstreme kolde omgivelsestemperaturer kan også få enheden til at fungere forkert. Det optimale omgivende temperaturområde er 10°C - 38°C.
- Undgå at placere enheden i fugtige områder.
- Sæt vinkælderen i en eksklusiv, korrekt installeret og jordforbundet stikkontakt. Den tredje (jord) grøn må under ingen omstændigheder skæres over eller fjernes fra ledningen. Eventuelle spørgsmål vedrørende strøm og / eller elektrisk jordforbindelse skal rettes til en certificeret elektriker eller autoriseret produkter servicecenter.
- Når apparatet er tilsluttet en stikkontakt, skal du lade enheden køle af i 3 til 4 timer, før vinflaskerne lægges i apparatet.

## Installationsdiagrammer

Dette vinkøleskab er beregnet til at stå frit eller indbygges i et skabelement. Skabelementet skal være med gode ventilationsforhold og uden bagplade, ellers vil det påvirke vinkøleskabets evne til at fungere normalt. Følg installationsdiagrammet.

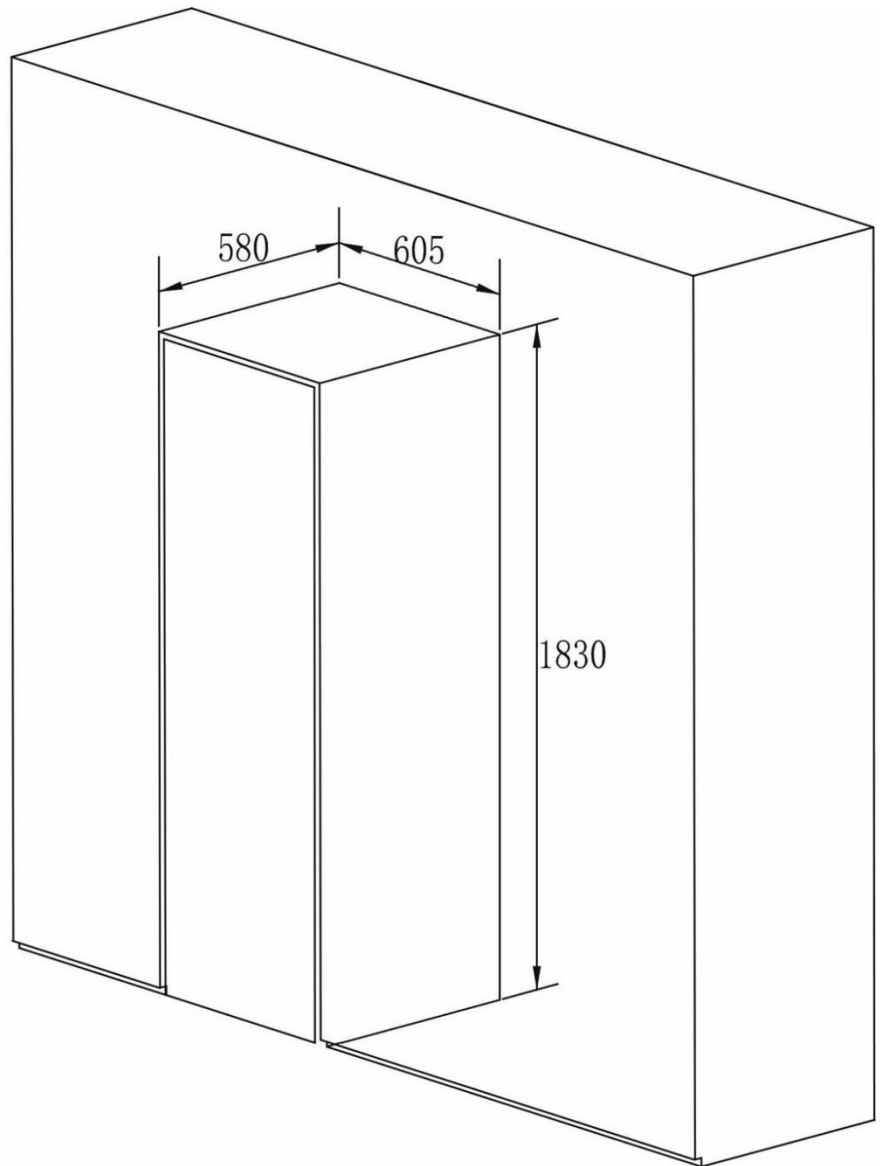
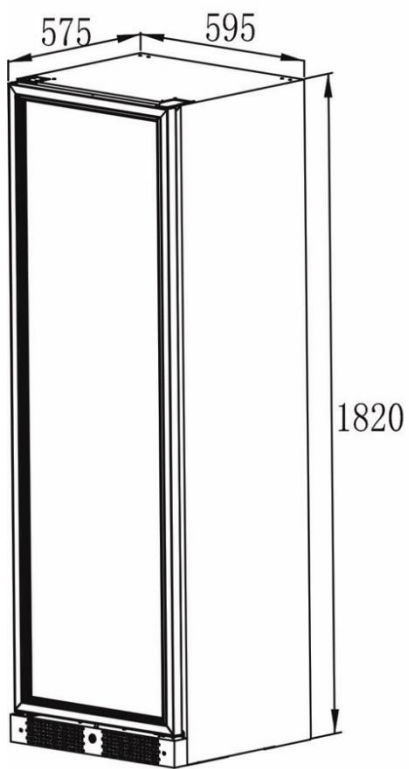
**Husk: stik og kontakt bør være mulige at nå, efter installationen**

**PBI58S & PBI58D**

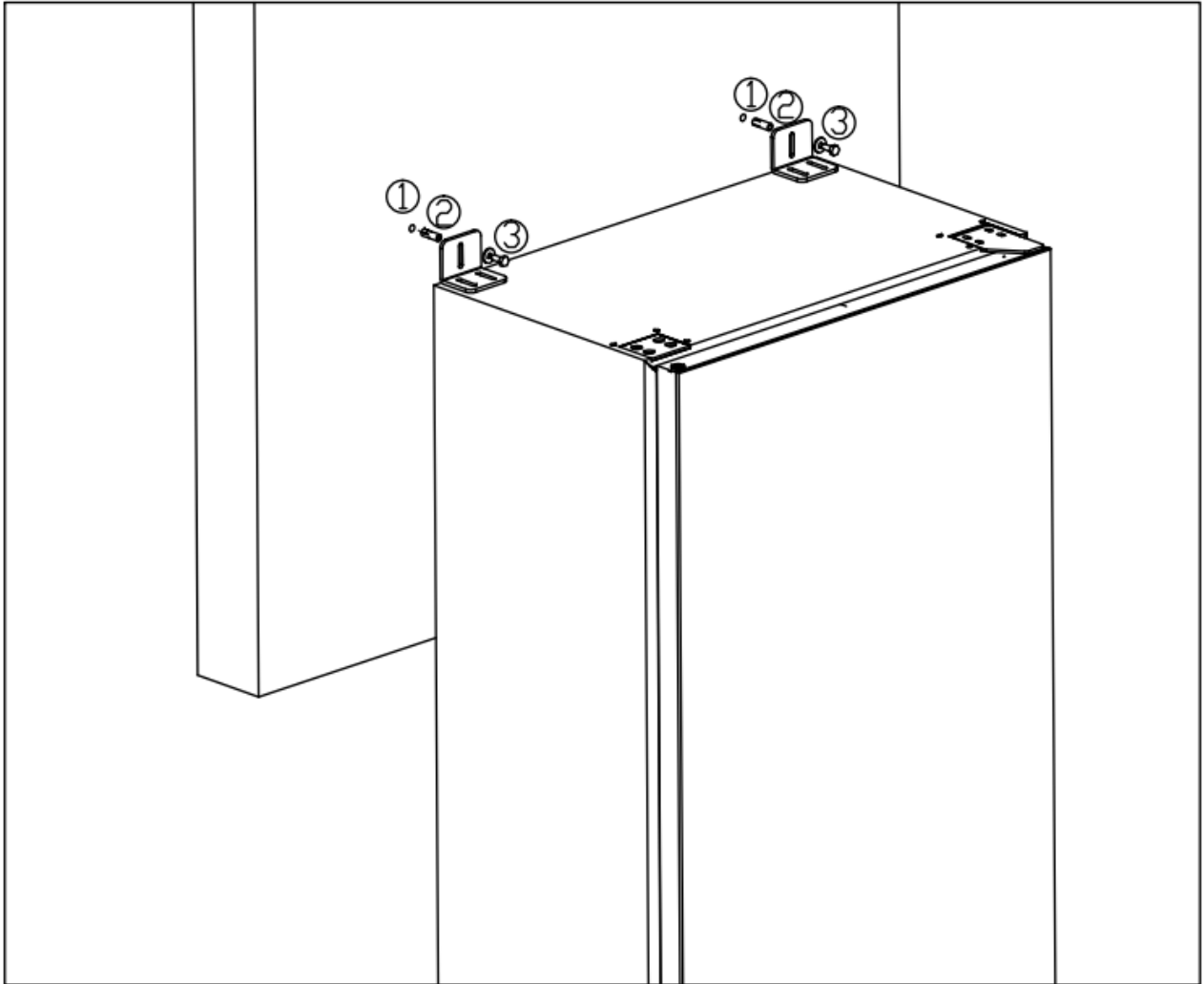




**PBI100S & PBI100D**

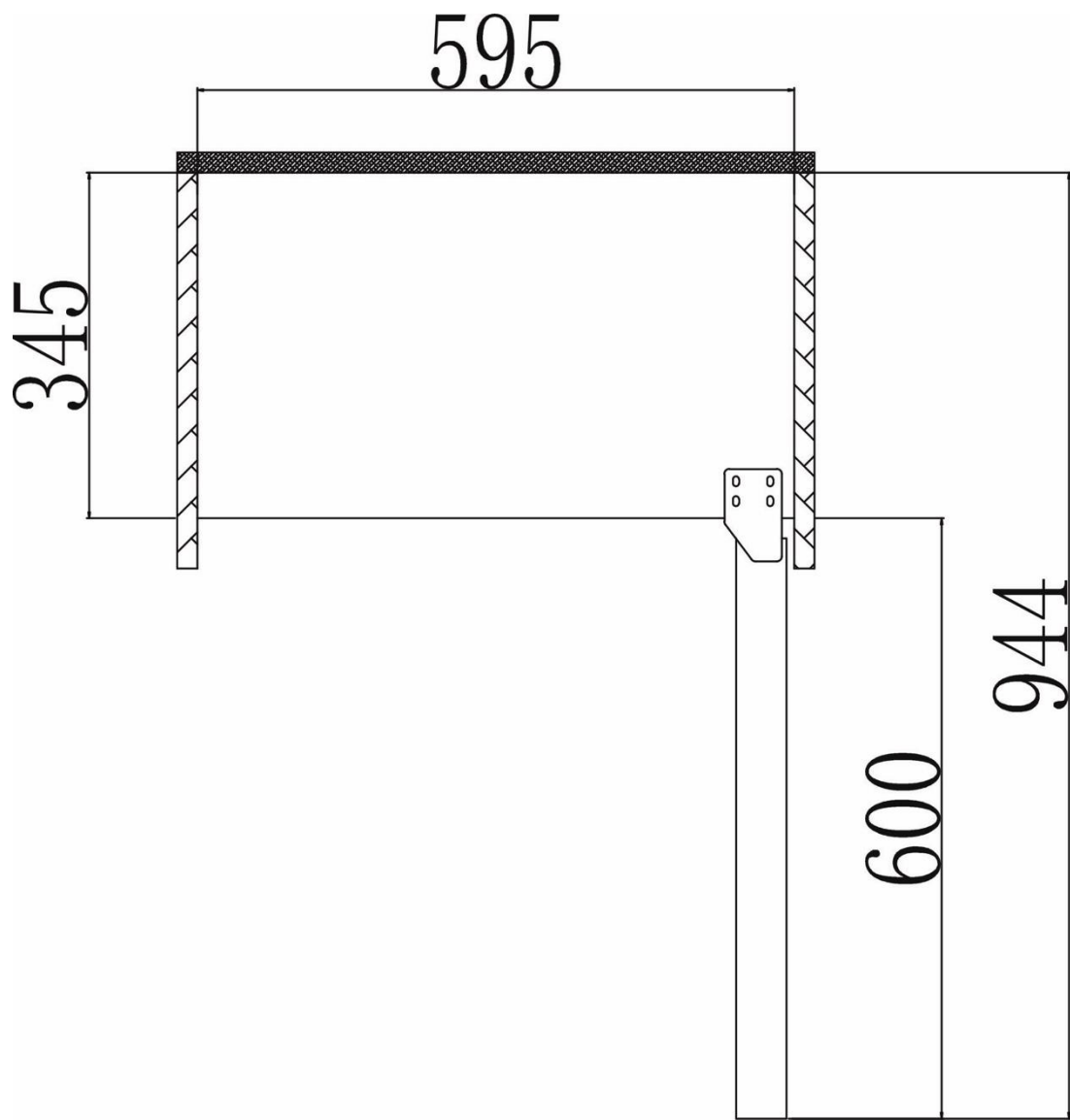


**VÆGMONTERING**

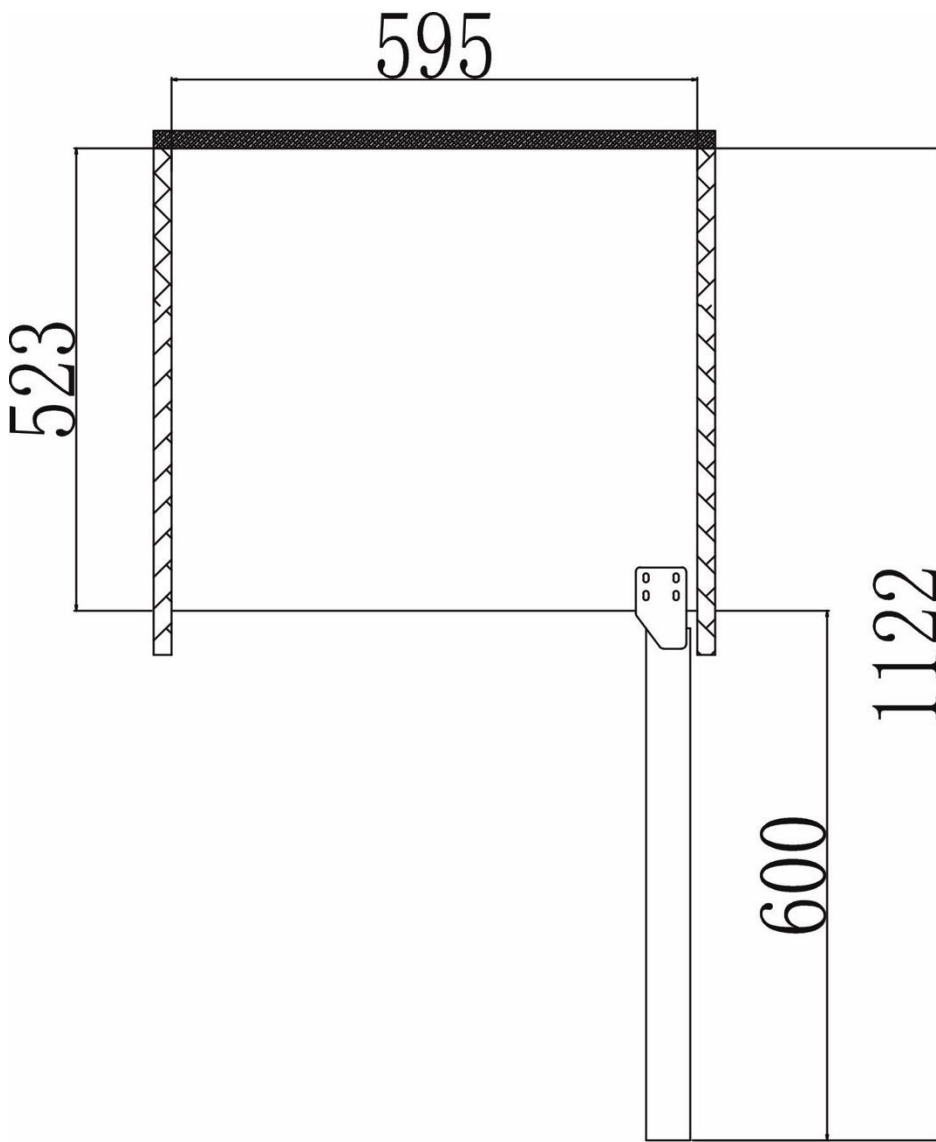


Døråbning – vinkel og dimensioner

PBI58S & PBI58D



**PBI100S & PBI100D**

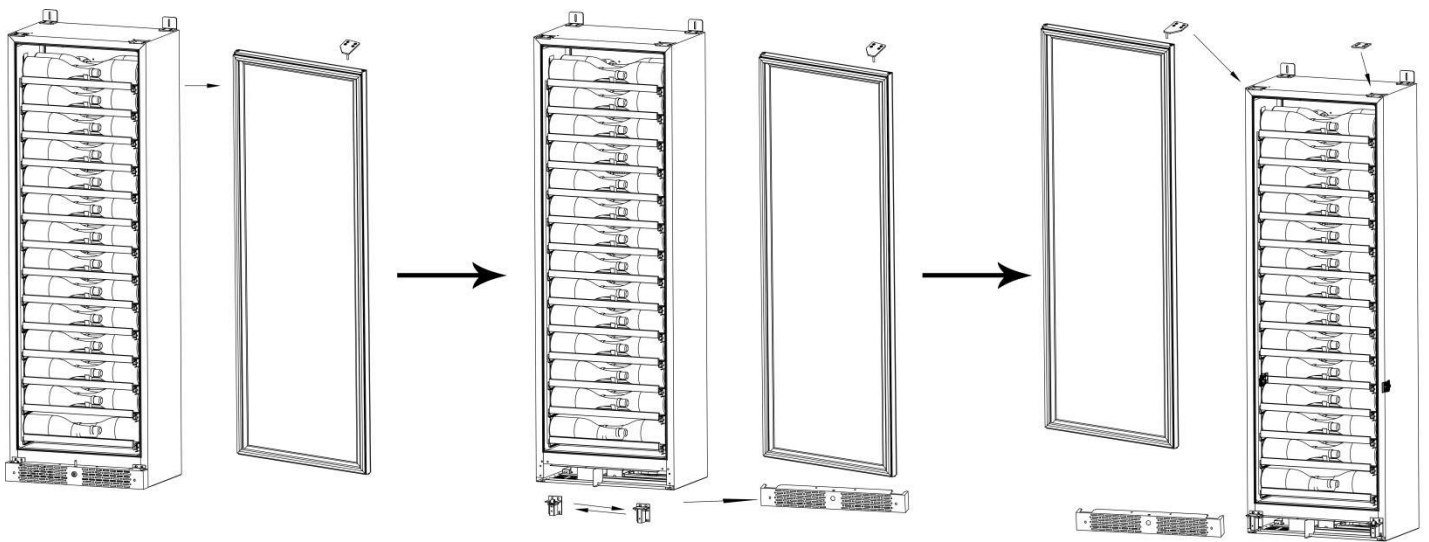


## Dørvending

Trin 1: Fjern højre øverste hængsel, så kan vi fjerne døren

Trin 2: Fjern den nederste grill og byt det nederste hængsel

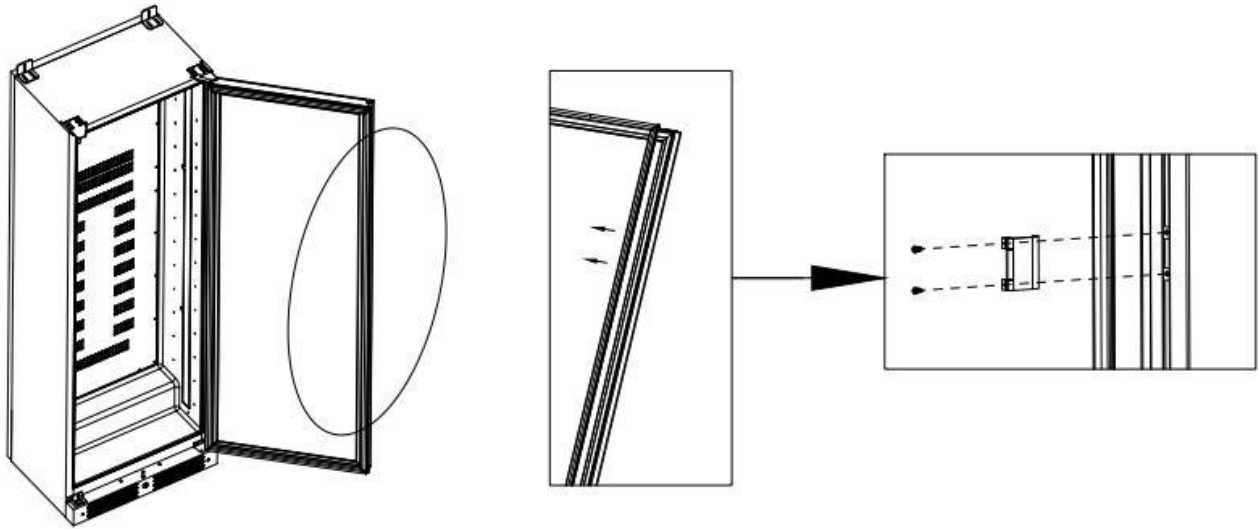
Trin 3: Installer lågen på venstre nederste hængsel, og installer derefter det venstre øverste hængsel, og installer hængseldækslet på højre top



## Installation af håndtag

Trin 1: Fjern det sorte dæksel

Trin 2: Sæt skruerne gennem hullerne og forbind med håndtaget.

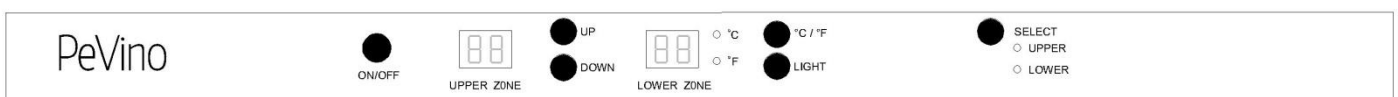


## Instruktioner

Vinkøleren skal placeres i et område, hvor den omgivende temperatur er mellem 10-38 grader Celsius. Hvis omgivelsestemperaturen er over eller under dette område, kan enhedens ydeevne blive påvirket. Hvis du for eksempel placerer enheden under ekstrem kulde eller varme forhold, kan det få de indvendige temperaturer til at svinge.

Nederste zone

Øverste zone



Tænd/sluk      op / ned      Celcius / Fahrenheit      Vælg øverst / nederst

Dit vinkøleskab har et betjeningspanel på forsiden. Betjeningspanelet indeholder flere funktioner til at betjene og styre temperaturen i vinkøleskabet, herunder:

On/OFF - Tænder eller slukker enheden

UPPER ZONE - Viser temperaturen i den øvre zone

OP/NED knapper – Øger eller sænker temperaturen i intervaller på 1 grad

LOWER ZONE - Viser temperaturen i den nederste zone

°C / °F – Angiver, om de viste temperaturer er i Celsius og Fahrenheit

°C / °F-knap – Slår de viste temperaturer mellem Celsius og Fahrenheit til/fra

LIGHT – [1.Tryk](#) på LIGHT-knappen for at tænde/slukke lyset eller ændre lysfarven. Rækkefølgen af ændringen er som følger: ON, rød, orange, grøn, blå, hvid, OFF.

2. Mens du holder LIGHT-knappen nede, skal du trykke på UP-knappen for at øge lysstyrken eller trykke på DOWN-knappen for at reducere lysstyrken. Lysstyrken er opdelt i 5 niveauer: 20%, 40%, 60%, 80% og 100%.

SELECT – Skifter mellem den øvre og nederste zone til temperaturjustering

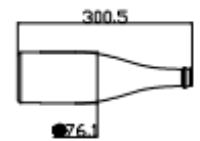
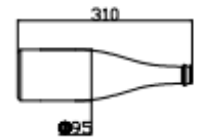
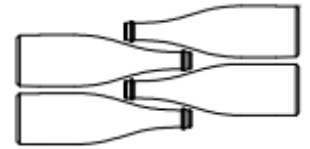
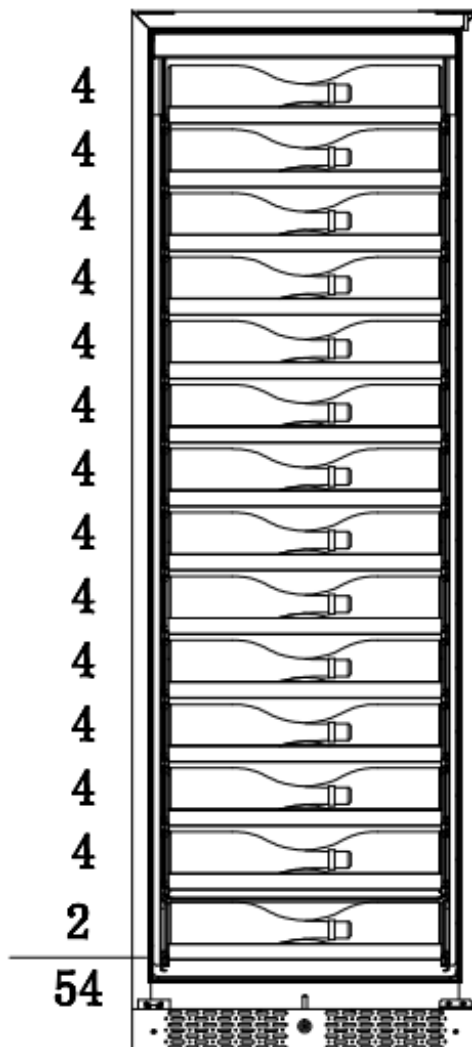
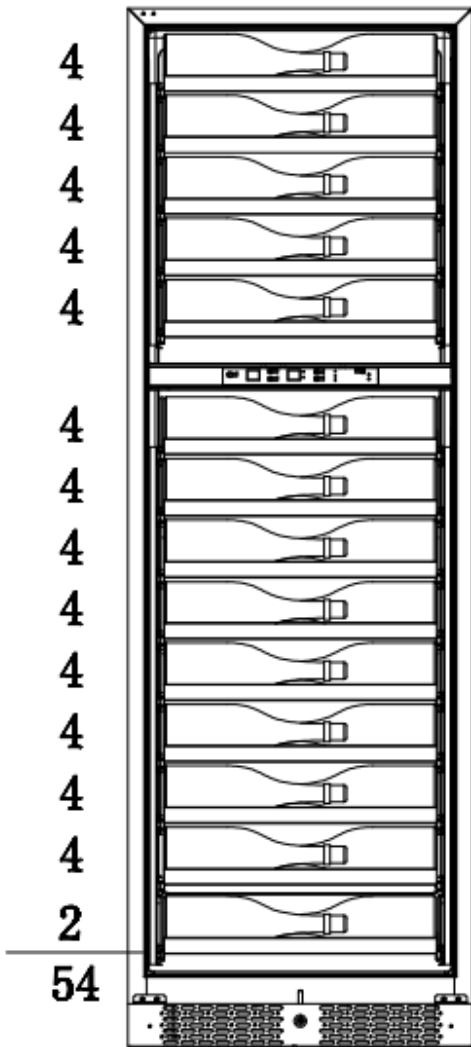
ØVRE/NEDRE – Angiver, om du justerer temperaturen for den øvre eller nedre zone

Hvis du skal på ferie, kan du forlade vinkøleskabet under ferier på mindre end tre uger. Hvis apparatet ikke skal bruges i flere måneder, skal du fjerne alle genstande og slukke for apparatet. Rengør og tør interiøret grundigt. For at forhindre skimmelvækst, lad gerne døren stå lidt åben.

### PBI58D & PBI58S

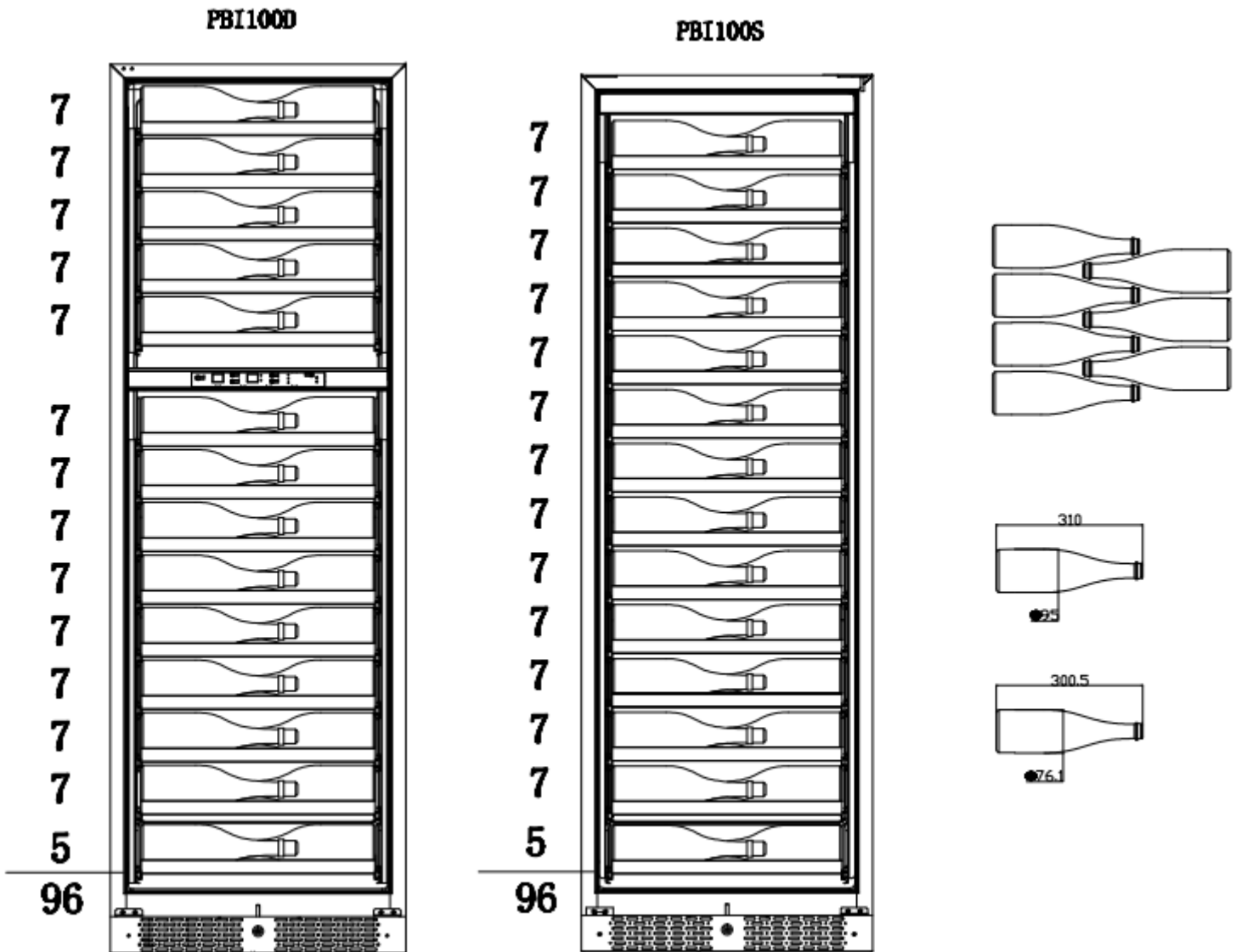
**PBI58D**

**PBI58S**





PBI100D & PBI100S



## Indstilling af temperatur

Dette apparat er udelukkende til opbevaring af vin. andre ting bør undgås foran ventilatoren og luftindtaget så meget som muligt for at undgå at blokere luftindtaget og påvirke køleeffektiviteten. Apparatet er ikke egnet til opbevaring af andre fødevarer. Indstil vinkøleskabets temperatur i forhold til den vin du ønske at køle.

Dette produkt er beregnet til køling af vin. Fabrikken har indstillet standardtemperaturen til 12°C.

Alle vine modner optimalt ved den samme ideal-temperatur, som er en konstant temperatur mellem 12°C og 14°C. Når dette er sagt, og som det er tilfældet ved naturlige vinkældre der anvendes af vinproducenter til længere tids vinopbevaring, er det ikke den nøjagtige temperatur, der er vigtig, men dens konsistens. Med andre ord, så længe temperaturen på din vinkøler er konstant (12°C - 14°C), bliver dine vine opbevaret under perfekte forhold.

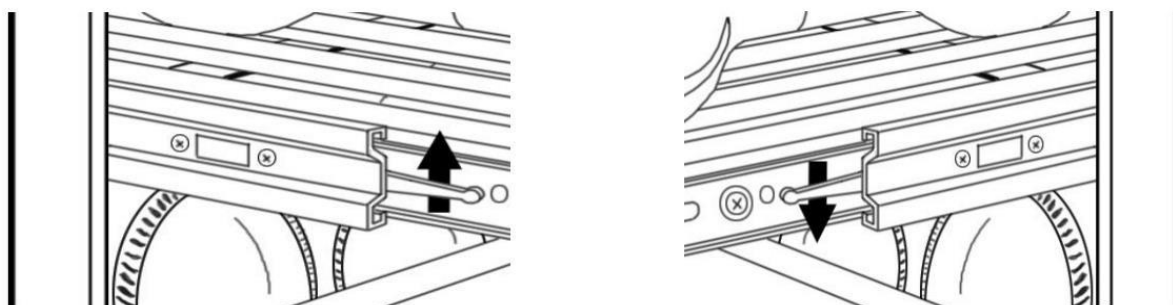
Du kan indstille temperaturen, som du ønsker, ved at trykke på knappen OP eller NED. Når du trykker på knapperne første gang, viser LED-udlæsningen den oprindelige temperatur, der er indstillet på vinkøleskabet. Hvert tryk på knappen vil justere temperaturen med en grad i den ønskede retning. Vær opmærksom på, at de ønskede temperaturer kan svinge afhængigt af, om det indvendige lys er tændt eller slukket, og afhængigt af flaskernes retning.

- Du kan indstille temperaturen, som du ønsker, ved at trykke på knappen OP eller NED. Når du trykker på knapperne første gang, viser LED-udlæsningen den oprindelige temperatur, der er indstillet på produktionsanlægget. Hvert tryk på knappen vil justere temperaturen med en grad i den ønskede retning. Vær opmærksom på, at de ønskede temperaturer kan svinge afhængigt af, om det indvendige lys er tændt eller slukket, og afhængigt af flaskernes retning.
- I tilfælde af strømafbrydelse gemmes alle tidligere temperaturindstillinger automatisk, og hvert rum vender tilbage til den forrige temperaturindstilling.
- Hvis enheden er frakoblet, mister strømmen eller er slukket, skal du vente 3 til 5 minutter, før du genstarter. Forsøg på at genstarte vinkælderen, før dette tidspunkt er gået, kan forhindre den i at starte.
- Når du bruger vinkælderen første gang eller genstarter vinkælderen efter at have været slukket i lang tid, vil der være et par graders varians mellem den temperatur, du vælger, og den, der er angivet på

LED-udlæsning i de første timer af drift. Efter et par timers drift, vil temperaturen normalisere til den viste temperatur.

## Hyldeinstallation

Fordel dine flasker jævnt i hele enheden for ikke at koncentrere vægten i et enkelt område. Dette hjælper også med at give et jævnt temperaturområde i hele enheden. Sørg for, at flaskerne ikke alle er grupperet sammen enten øverst eller nederst i kabinettet. Forsøg aldrig at trække mere end én skydehylde ud ad gangen, da det kan få apparatet til at tippe fremad.



Hver af udtræks hylderne er aftagelige. For at fjerne en hylde, trækkes den ud så langt som du kan. Der er håndtag på hver side af hylden i nærheden af rullerne. Løft håndtaget i venstre side, og tryk håndtaget ned i højre side for at fjerne hylden fra sporene.

## Pleje og vedligeholdelse

Rengøring af din vinkøler:

- Sluk for strømmen, tag stikket ud af stikkontakten, og fjern alle genstande.
- Vask de indvendige overflader med varmt vand og bagepulveropløsning. Opløsningen skal være omkring 2 spsk. bagepulver til en kvart vand.
- Vask hylderne med en mild rengøringsmiddelopløsning.
- Vrid overskydende vand ud af svampen eller kluden ved rengøring af området af kontrollerne, eller eventuelle elektriske dele.
- Vask det udvendige skab med varmt vand og mildt flydende rengøringsmiddel. Skyl og tør af med en ren blød klud.
- Støv frontgrillen og bagsiden af enheden to gange om året. Sørg for, at strømmen er slukket, før du gør rent.
- Det anbefales at rengøre enheden helt inde og ude årligt for at maksimere produktets levetid.

Flytning af din vinkøler:

- Fjern alle flasker og andre genstande, du måtte have inde i enheden.
- Tape alle løse genstande (hylde) ned i apparatet og tape døren lukket.
- Vend det justerbare ben op til basen for at undgå skader.
- Sørg for, at apparatet forbliver sikkert i opretstående position under transporten.
- Beskyt apparatets yderside med et tæppe eller lignende.

## Fejlfinding:

Der er mange almindelige problemer, du kan opleve med din vinkøler, der kan løses meget let, uden behov for et serviceopkald. Prøv nedenstående tip for at foretage fejlfinding af din enhed, hvis du oplever problemer:

| PROBLEM   | MULIG ÅRSAG  | LØSNING  |
|---|--|--|
| <b>1. Køleskab virker ikke</b>  | 1. Ikke tilsluttet<br>2. Apparatet slukket på kontrolpanelet<br>3. Stikkontakten er slukket, eller udgangsspændingen er for lav<br>4. Afbryderen er udløst, eller en sikring er blæst ud | 1. Tryk på Tænd/FRA<br>2. Kontroller, og sørg for, at strømstikket er godt tilsluttet<br>3. Bed en tekniker om at kontrollere, om stikkontakten har en nøjagtig spændingsudgang<br>4. Bed en tekniker om hjælp |
| <b>2. Køleskabet er ikke koldt nok; kan ikke køle ned til forudindstillet temp.</b> | Kompressoren starter ikke  | bed en tekniker om hjælp/kontrollere tilslutningen af kompressoren   |
|   | Omgivelsestemperaturen er for høj (over 100°F   38°C)  | Flyt køleskabet til et køligt og ventileret sted   |
|   | Placer for mange flasker på én gang  | Læg flaskerne i partier. Det anbefales ikke at overskride 1/3 fuld belastning ad gangen. Efter at temperaturen i skabet falder til den indstillede temperatur, skal det næste parti opbevares.                 |
|   | Indløbet og udløbet af frontgitteret er blokeret.  | Fjern genstande, der kan blokere for indløb og udløb   |
|   | Døren er ikke lukket tæt, eller dørpakningen er ikke forseglet korrekt.  | Der henvises til problemet #6 "Døren vil ikke lukke ordentligt" og dens løsninger.   |
|   | Døråbningstiden er for lang eller for hyppig   | Tag derefter stikket ud i 5 timer, vent på isen på fordampere smelter, skal køleskabet genstartes.   |
|   | Der er andre genstande udover drikkeflasker i skabet, som påvirker luftcirkulationen.  | Reducer gange/hyppighed af døråbninger.  |

|  |   |   |
|--|---|---|
|  | Hvis køleskabet er placeret udendørs eller på et sted med en masse støv / olie pletter, efter et stykke tid, vil en stor mængde støv ophobes på kondensatoren finner, hvilket vil påvirke køleeffekten. | Dette køleskab er designet til opbevaring af vin, hvis der er andre genstande, skal du fjerne det. Antallet af flasker, der er placeret på hvert lag, må ikke overstige   |
|  | Ventilatorer (kondensatorventilator eller fordamperventilator) holder op med at arbejde eller fungerer ved lav hastighed  | Bed teknikeren om at kontrollere, om der er en standardspænding på ventilatorterminalen, når der tændes for strømmen. Hvis spændingen er unormal, skal du kontrollere koblingsstrømforsyningen eller bundkortet eller kredsløbet fiasko. Hvis spændingen er normal, kan ventilatoren blive beskadiget, skal den udskiftes med en ny ventilator. |
|  | Kompressoren eller dens tilbehør er beskadiget  | Sluk for strømmen, og bed teknikeren om at diagnosticere.   |
| <b>3. Kompressor starter og stopper ofte</b> | Døren er ikke lukket tæt.   | Der henvises til problemet #6 "Døren vil ikke lukke ordentligt" og dens løsninger.  |
|  | Dørpakningen er ikke forseglede korrekt.  | Tag derefter stikket ud i 5 timer, vent på isen på fordampere smelter, skal køleskabet genstartes.  |
|  | Døren åbnes for ofte.   | 1. Brug lav varme på en hårtørret for at få dørforseglingen til at tage form.   |
|  | Omgivelsestemperaturen er for høj (over 100°F   38°C)   | Flyt køleskabet til et køligt og ventileret sted  |
|  | Forkert indstilling af temperatur og temperaturvarians  | Øg temperaturen og dens afvigelser korrekt  |
|  | Temperaturføleren er ikke tilsluttet korrekt.   | Læs ledningsdiagrammet for at foretage den korrekte tilslutning af sensoren.  |
|  | Sensoren er defekt.   | Udskift med en ny sensor  |
| <b>4. Lyset virker ikke</b>                  | Ikke tilsluttet, eller lysknappen er "OFF." Ikke nok lysstyrke. Selve lyset er defekt. PCB-kredsløb defekt.   | 1. Juster lampens lysstyrke i henhold til betjeningsvejledningen.<br>2. Udskift med ny pære; lampen har sin polaritet.<br>3. Find en tekniker til at reparere.  |
| <b>5. Køleskab støjer for meget.</b>         | Ingen stående timer før tilslutning af køleskabet til strømkilden.  | Sluk for strømmen og lad den stå i timevis.   |
|  | skabets fødder er ikke nivelleret; vibrationer fører til støj   | Juster ståfødderne og sørg for, at de er i vater.   |
|  | Gulvet er ikke stabilt nok  | Flyt til et solidt og stabilt gulv  |
|  | Varme og kolde sammentrækning lyde af den indre tank og plast.  | Der kræves ingen handling. Det vil gradvist forsvinde.  |

|  |  |   |
|--|--|---|
|  | Kobberrør rammer andre objekter og laver støj  | Juster forsigtigt rørets position.  |
|  | Vibrationen af indvendige bevægelige dele forårsaget af inert, når kompressoren stoppes eller startes  | Det er normalt, ingen handling kræves.  |
|  | En flydende VVS-støj kan komme fra strømmen af køleskabe gasser  | Da hver cyklus slutter, kan du høre klukkende lyde. Det er normalt, ingen handling kræves.  |
|  | Vibration af køling kobberrør eller ventilatorer ramte andre objekter  | Åbn køleskabets bagside, og juster kobberrørene og ledningerne korrekt, så de ikke rammer eller giver genlyd i andre genstande.   |
|  | Kompressor eller ventilator selv fejl  | Find en tekniker, der skal repareres.   |
| <b>6. Døren vil ikke lukke korrekt.</b>    | Døren er blokeret af ikke-standard flasker   | Juster placeringen af flasker, eller antallet af hylder korrekt   |
|  | Hængslerne på de øverste og nedre døre er løse   | Juster og fastgør dørhængslet   |
|  | Dørforseglingsgummiet er deformeret  | 1. Brug lav varme på en hårtørrer for at få dørforseglingen til at tage form.   |
|  | Dørrammen er deformeret  | Udskift med en ny dør   |
| <b>7. Fordamper iser til</b>               | Døren er ikke lukket tæt, eller dørpakningen er ikke forsejlet korrekt.  | Der henvises til problemet #6 "Døren vil ikke lukke ordentligt" og dens løsninger.  |
|  | Dårlig køleydelse. Køleskabet køler ikke eller kan ikke nå den forudindstillede temperaturværdi.   | Tag derefter stikket ud i 5 timer, vent på isen på fordamperen smelter, skal køleskabet genstartes.   |
|  | Kompressoren stopper aldrig, selvom køleskabet køler af og når den forudindstillede temperaturværdi  | Der henvises til problemet #2 "Køleskab er ikke koldt nok; kan ikke køle ned til den forudindstillede temp." og de tilsvarende løsninger. Tag derefter stikket ud i 5 timer, vent på isen på fordamperen smelter, genstart køleskabet.  |
| <b>8. Udvendig kabinet synes for varmt</b> | Omgivelsestemperaturen er for høj (over 100°F   38°C)  | Flyt køleskabet til et køligt og ventileret sted  |
|  | Indløbet og udløbet af frontgitteret er blokeret.  | Fjern genstande, der kan blokere for indløb og udløb  |
|  | Hvis køleskabet placeres udendørs eller på et sted med meget støv/oliepletter, efter en periode, vil støv vil ophobes på kondensatoren finner, hvilket vil påvirke køleeffekten. | Flyt køleskabet til et sted med mindre støv, kontroller regelmæssigt støvophobningsstatus, og rengør det med en blæser.   |
|  | Kondensatorventilatoren holder op med at arbejde eller fungerer ved lav Hastighed  | Bed teknikeren om at kontrollere, om der er en standardspænding på ventilatorterminalen, når der tændes for strømmen. Hvis spændingen er unormal, skal du kontrollere koblingsstrømforsyningen eller bundkortet eller kredsløbet fiasko. Hvis spændingen er normal, kan ventilatoren blive beskadiget, skal den udskiftes med en ny ventilator. |

|   |  |  |
|---|--|--|
| <b>9. Kondens på glasdøren</b>  | Den omgivende luftfugtighed er høj   | Brug en blød klud til at tørre vandet  |
|   | Døråbningen er for hyppig  | Reducer hyppigheden af døråbninger.  |
|   | Døren lukker ikke ordentligt.  | Der henvises til problemet #6 "Døren vil ikke lukke ordentligt" og dens løsninger. Tag derefter stikket ud i 5 timer, vent på isen på  |
| <b>10. Vandlækage (uden for kabinettet)</b>                               | Kondens drypper fra glasdøren til gulvet   | Der henvises til problemet #9 "Kondens på glasdøren" og dens løsninger.  |
|   | Vandoverløb i vandbakken ved siden af kompressoren   | Åbn kompressorens cover og sørg for, at vandrøret er i vandmoderbakken.  |
| <b>11. Vandlækage indeni kabinettet</b>                                   | Udløbet af vandbakken under fordamperen er blokeret  | Fjern blokerende masse   |
|   | Vandrøret, der er tilsluttet vandbakken under fordamperen, falder af.  | Tilslut vandrøret igen, lim det og stram det med kabelbinder   |
|   | Vandbakken kan ikke fange alle vanddråber fra fordamperen  | Kontakt sælger eller autoriseret tekniker.   |
| <b>12. Høj luftfugtighed i skabet eller kondens på flaskens overflade</b> | Den omgivende luftfugtighed er høj   | Flyt køleskabet til et køligt og ventileret sted   |
|   | Døråbningstiden er for lang eller for hyppig   | Reducer gange/hyppighed af døråbninger.  |
|   | Døren lukker ikke ordentligt.  | Der henvises til problemet #6 "Døren vil ikke lukke ordentligt" og dens løsninger.   |
| <b>13. Temperatur Forskel mellem flasker inde i kabinettet er stort</b>   | Der er andre genstande udover drikkeflasker i skabet, som påvirker luftcirkulationen.  | Dette køleskab er designet til opbevaring af vin, hvis der er andre genstande, skal du fjerne det. Antallet af flasker, der er placeret på hvert lag, må ikke overstige standardkonfigurationen. |
|   | Drifttiden er for kort, og systemet har ikke nået en stabil tilstand.  | Der kræves ingen handling. Efter forlængelse af køletiden vil temperaturen inde i skabet være ensartet.  |
|   | De øvre og nedre temperaturer er ikke forudindstillet korrekt. (gælder kun for vinskabe med to zoner)  | Juster værdien for temperaturindstillingen. Den bedste indstilling er, at den forudindstillede værdi i zonen NEDRE er 5°C højere end ØVRE ZONE.  |
| <b>14. Forbruget er adskiller sig fra værdien på etiket</b>               | Strømforbruget er relateret til mange faktorer, såsom omgivelsestemperatur, ventilationsforhold, antallet af flasker i skabet, den forudindstillede temperatur og spændingsniveauet. Den faktiske situation kan afvige fra forbrug, der er angivet på etiketten. Det her er normalt. | Der kræves ingen handling.   |

|  |   |  |
|--|---|--|
| <b>15. Ufuldstændig Tegnvisning</b>      | Tallet på displayet mangler et eller to strøg   | Ledningsføring af skærmen er dårlig tilsluttet. I de fleste tilfælde vil det ikke påvirke køleskabets kølefunktion.  |
|  | Displayet vises ikke, men tasterne har  | Find en tekniker, der skal repareres.  |
| <b>16. Knapfejl</b>                      | Døråbningstiden er for lang, hvilket resulterer i for meget kondens på glaspanelet                | Undgå at åbne døren i lang tid, når maskinen er tændt, vil den vende tilbage til normal i ti minutter efter døren er lukket.   |
|  | Signaler som biler, hårtørre, induktionskoger og mobiltelefoner forstyrrer ved et uheld vinskabet | Hold dig væk fra signalkilden, sluk for strømmen og tag stikket ud, og genstart derefter køleskabet.   |
|  | Fejl ved visning eller kontrollkort.  | Find en tekniker, der skal repareres.  |
| <b>17. Der er lugt inde i kabinettet</b> | Den nye maskine kan efterlade en lille mængde miljørens   | Ingen handling kræves, vil det forsvinde gradvist  |
|  | Duften af træ hylder  | Ingen handling kræves, vil det forsvinde gradvist  |
| <b>18. Fejlkode U1, C1, U2 eller C2</b>  | Fejlkode U1 eller C1 betyder, at sensoren i UPPER-zonen er kortsluttet eller åbent kredsløb.      | Sensoren i UPPER-zonen er defekt, eller stikket/stikket med UP-mærket på PCB er dårligt tilsluttet. Kontroller forbindelsen, eller udskift sensoren.   |
|  | Fejlkode U2 eller C2 betyder, at sensoren i LOWER-zonen er kortsluttet eller åbent kredsløb.      | Sensoren i LOWER-zonen er defekt, eller stikket/stikket med DOWN-mærket på PCB er dårligt tilsluttet. Kontroller forbindelsen, eller udskift Sensor.   |
| <b>19. Fejlkode HH</b>                   | Højtemperaturalarm  | Der henvises til problemet #2 "Køleskab er ikke koldt nok; kan ikke køle ned til den forudindstillede temp." og dens løsninger. Tag derefter stikket ud i 5 timer, skal du genstarte køleskabet. |
| <b>20. Fejlkode LL</b>                   | Alarm ved lav temperatur  | 1. Tag strømmen ud i 5 timer, genstart køleskabet, og kontroller igen.<br>2. Kontroller eller udskift sensorerne og kontrollkortet.<br>3. Kontroller eller udskift den elektromagnetiske ventil  |



## Tekniske specifikationer

| MODEL NR.                       | <b>PBI58D-HHB</b>   | <b>PBI100D-HHB</b>  | <b>PBI58S-HHB</b>                         | <b>PBI100S-HHB</b>                        |
|---------------------------------|---|---|---|---|
| VOLUMEN                         | 209L  | 355L  | 213L                                      | 362L                                      |
| DIMENSION                       | 595B*397D*1820H   | 595B*575D*1820H   | 595B*397D*1820H                           | 595B*575D*1820H                           |
| TYPE KØLING                     | kompressor med luft-cirkuleret ventilator                               | kompressor med luft-cirkuleret ventilator                               | kompressor med luft-cirkuleret ventilator | kompressor med luft-cirkuleret ventilator |
| KLIMA KATEGORI                  | SN/N/ST   | SN/N/ST   | SN/N/ST                                   | SN/N/ST                                   |
| ELEKTRISK STØD                  | I   | I   | I   | I   |
| BESKYTTELSESSESS KLASIFISEREN G | 220-240V  | 220-240V  | 220-240V                                  | 220-240V                                  |
| Nominal spænding                | 0.5A  | 0.5A  | 0.5A                                      | 0.5A                                      |
| NOMINEL EFFEKT(W)               | R600a   | R600a   | R600a                                     | R600a                                     |
| OMGIVELSESTE MPERATUR           | 50 - 100 °F (10 -38°C)  | 50 - 100 °F (10 -38°C)  | 50 - 100 °F (10 -38°C)                    | 50 - 100 °F (10 -38°C)                    |
| TEMPERATURO MRÅDE               | Øverste Zone: 41-60 °F (5 - 15°C);<br>Laveste Zone: 45-64 °F (7 - 18°C) | Øverste Zone: 41-60 °F (5 - 15°C);<br>Laveste Zone: 45-64 °F (7 - 18°C) | 41-64 °F (5 - 18°C);                      | 41-64 °F (5 - 18°C);                      |
| NETTOVÆGT                       | 101kg   | 122kg   | 100kg                                     | 120kg                                     |