

ViandPro Cooker Hood

Installation And User's Manual



VP-WH60SSB

VP-WH90SSB

VP-WHR60B

VP-WHR90B

EN



VP-WH60SSB



VP-WH90SSB



VP-WHR60B



VP-WHR90B

EN

SAFETY INSTRUCTIONS

- Thank you for purchasing this cooker hood. Please read the instruction manual carefully before you use the cooker hood, and keep it in a safe place.
- The installation work must be carried out by a qualified electrician or competent person. Before you use the cooker hood, make sure that the voltage (V) and the frequency (Hz) indicated on the cooker hood are exactly the same as the voltage and the frequency in your home.
- The manufacturer and the agent will not bear any responsibility for the damage caused by inappropriate installation and usage.
- Children under the age of 8 must not use the cooker hood.
- The appliance is not intended for commercial use, but only for household and similar environments.
- The cooker hood and its filter mesh should be cleaned regularly in order to keep it in good working order.
- Before cleaning, switch the power off at the main supply.
- Clean the cooker hood according to the instruction manual and keep the cooker hood from the danger of burning.
- Prohibit putting the cooker hood by fire.
- If the appliance does not function normally, contact the manufacturer or a specialist company.
- This device may be only used by children 8 years old or older and persons with limited physical, sensory and mental capabilities and / or lack of experience and knowledge, provided that they have been instructed in use of the device by a responsible person who understands the associated risks.
- If the supply cord is damaged, it must be replaced by the manufacturer, its service agent or similarly qualified persons in order to avoid a hazard.
- If the range hood is used at the same time as appliances burning gas or other fuels, the room must be adequately ventilated.
- Do not flambé under the range hood. Accessible parts may become hot when used with cooking appliances.

Important hints on installation

- The air must not be discharged into a flue that is used for exhausting fumes from appliances burning gas or other fuels (not applicable to appliances that only discharge the air back into the room).
- Regulations concerning the discharge of air have to be fulfilled.

Important notes about the extraction mode



WARNING

Risk of poisoning from exhaust gases sucked back. Never operate the device in extraction mode simultaneously with an open flue appliance when there is not adequate airflow guaranteed.

Open flue combustion equipment (for example, gas, oil, wood or coal-fired heaters, tankless water heaters, water heaters) pulls combustion air from the room and runs it through an exhaust pipe or chimney to the outside. In the extraction mode, indoor air is removed from the kitchen and the adjacent rooms - without sufficient air intake this creates a vacuum. Toxic gases from the chimney or extraction flue can thereby be sucked back into the living spaces.

- Always ensure that a sufficient supply of fresh air is guaranteed and that the air can circulate.
- An air supply / extractor box alone does not ensure compliance with the limit value.

Safe operation is only possible when the negative pressure in the room where the appliance is located does not exceed 4 Pa (0.04 mbar). This can be achieved when the air required for combustion can flow through openings that are not closable, for example in doors, windows, in conjunction with an air supply / extractor box or through other technical measures. In any case, consult a qualified chimney sweep who can assess the entire ventilation of your house and propose appropriate measures for adequate ventilation.

If the hood is used exclusively in the recirculation mode, unrestricted operation is possible.

Important note on disassembly of the device

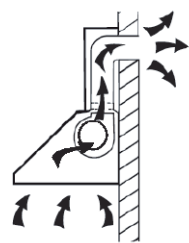
- Disassembly is similar to installation/assembly in reverse order.
- Take a second person to help you during disassembly to avoid injuries.

INSTALLATION

Preparation

If you have an outlet to the outside, your cooker hood can be connected as below picture by means of an extraction duct (enamel, aluminium, flexible pipe or inflammable material with an interior diameter of 150 mm).

- Before installation, turn the unit off and unplug it from the outlet.
- The cooker hood should be placed at a distance of 65~75 cm above the cooking plane for best effect.

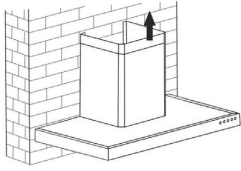
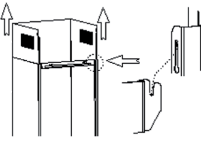


Installation (Vent outside)

Note: When the range hood and appliance supplied with energy other than electricity are simultaneously in operation, the negative pressure in the room must be not exceed 4 Pa (4×10^{-5} Bar).

1	2
<p>Drill 3 x 8 mm holes to accommodate the bracket. Screw and tighten the bracket onto the wall with the screws & screw plugs provided.</p>	<p>Offer up the cooker hood and hang onto the wall bracket hook.</p>

Chimney Installation

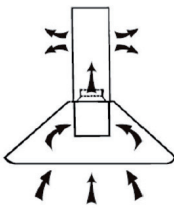
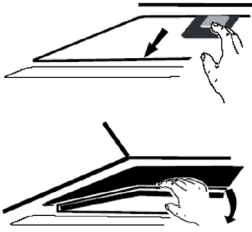
1	2
	
<p>Put the upper chimney into lower chimney .Then pulling out the upper chimney upwards. Adjust to reach the height required.</p>	<p>Sliding the chimney to adjust the chimney height. When the height you required is reached, then hang the fixing hole to the fixing screws as showed in picture.</p>

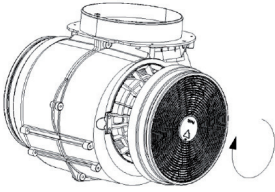
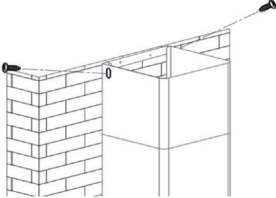
Installation (Vent inside)

If you do not have an outlet to the outside, exhaust pipe is not required and the installation is similar to the one show in section “Installation (Vent outside)”.

Installing the Carbon Filter

Note: Carbon filter is not standard accessory, these can be purchased as an accessory.



1	2
	
<p>Activated carbon filter can be used to trap odours.</p>	<p>In order to install the activated carbon filter, the grease filter should be detached first. Press the lock and pull it downward.</p>

3	4
	
<p>Plug the activated carbon filter into the unit and turn it in clockwise direction. Repeat the same on the other side. Make sure the filter is securely locked. Otherwise, it would loosen and cause dangerous. When activated carbon filter attached, the suction power will be lower.</p>	<p>Remove all blue protective film on chimney and cooker hood, the installation is now finished.</p>

BUTTON FUNCTIONS

Control for VP-WH60SSB & VP-WH90SSB

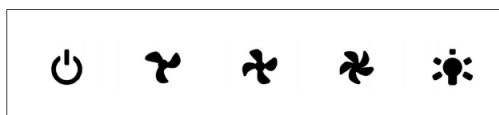







	Depress this button to turn off the motor.
1	First speed
2	Second speed
3	Third speed
	Turn on/off light.

Booster setting:

Long press the Third speed button, the hood will into booster setting.
(Remark: the booster setting just can ran 5 mins, after 5 mins, the hood will return back to the third speed.

Control for VP-WHR60B & VP-WHR90B

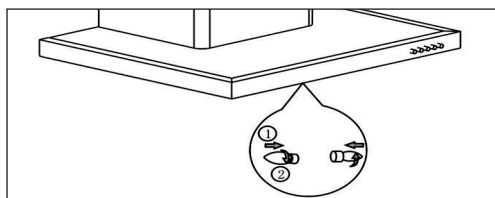


	Depress this button to turn off the motor.
	First speed
	Second speed
	Third speed
	Turn on/off light.

BULB AND LAMP REPLACEMENT

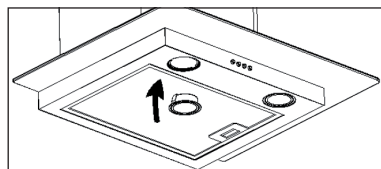
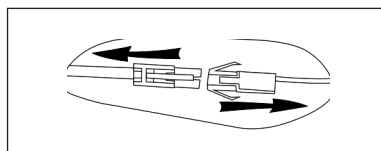
Replacing Bulbs

- Switch the unit off and unplug the appliance. Remove the lamp cover by unscrewing the 2 screws.
- Unscrew the incandescent bulb. Replace with the same type and rated bulb:



Replacing LED Lamps

- Disconnect the light wiring point which is located within the hood, (behind the grease filter).
- Then use a screw driver remove the bulb holders and wiring from the hood. Replace with the same type and rated lamp: LED Lamp: max 1.5 W



CLEANING AND MAINTENANCE

Turn off the cooker hood before cleaning and maintenance and unplug the appliance from the wall outlet. The exterior surfaces are susceptible to scratches and stains. Therefore, do not use abrasive cleaners and wipe away any alkaline or acidic residue (lemon juice, vinegar) immediately after cleaning.

Stainless Steel Surfaces

The stainless steel must be cleaned regularly to ensure a long service life. Use stainless steel cleaner. Always wipe along the grain of the stainless steel to prevent scratching.

Control Panel

The control panel can be cleaned with a damp cloth and a mild dishwashing detergent. Before cleaning, make sure the cloth is clean and well wrung. Use a dry, soft cloth to remove excess moisture after cleaning.

Monthly Cleaning for Grease Filter

Clean the filter every month can prevent any risk of fire. The filter collects grease, smoke and dust, so the filter is directly affecting the efficiency of the cooker hood. If not cleaned, the grease residue (potential flammable) will saturate on the filter. Clean it with household cleaning detergent.

TROUBLESHOOTING

Fault	Cause	Solution
Light on, but fan does not work	The fan blade is jammed.	Switch of the unit and repair by qualified service personnel only.
	The motor is damaged.	
Both light and fan do not work	light bulb burn.	Replace the bulb with correct rating.
	Power cord looses.	Plug in to the power supply again.
Serious vibration of the unit	The fan blade is damaged.	Switch of the unit and repair by qualified service personnel only.
	The fan motor is not fixed tightly.	
	The unit is not hung properly on the bracket.	Take down the unit and check whether the bracket is in proper location.
Suction performance not good	Too long distance between the unit and the cooking plane	Readjust the distance to 65-75 cm

PRODUCT DATA SHEET

Information according to Regulation (EU) No. 65/2014
 Measurement and calculation methods according to EN 61591:1997+A1:2006
 +A2:20 11+A11:2014+A12:2015

VP-WH60SSB TECHNICAL DATA*

Type	Cooker hood Stainless		
Material	steel + Glass		
Installation-width in cm	60		
Island installation	x		
Touch control	Touch		
Recirculation	✓		
Annual energy consumption (AEC _{hood})	42.3kW/h		
Energy efficiency category	A		
Fluid dynamical efficiency (FDE _{hood}) Fluid	30.1		
dynamical efficiency category Lighting	A		
efficiency (LE _{hood})	34 lux/W		
Lighting efficiency category	A		
Grease separation	83.6%		
Grease separation category	C		
Air flow **	327.3m ³ /h		470m ³ /h
Maximum air flow Q _{max}	470 m ³ /h		
Air flow at boost setting	628m ³ /h		
A-rated noise emission **	52 dB		63dB
Power consumption off (P _o)	0.49W		
Power consumption standby (P _s)	0.46W		
Power consumption lighting system (W _l)	3.0 W		
Connected load	253W		
Illuminant	✓ / LED		
Power consumption per illuminant unit	2*1.5W		
Voltage / frequency	220 - 240 V AC / 50-60 Hz		
Height adjustment in cm	50-100		
Grease filter / material / dishwasher-proof	2	aluminium	✓
Carbon filter ***	2*CF02 / optional		
Installation material	✓		
Instruction manual	✓		

VP-WH90SSB TECHNICAL DATA*

Type	Cooker hood	
Material	Stainless steel + Glass	
Installation-width in cm	90	
Island installation	×	
Touch control	Touch	
Recirculation	✓	
Annual energy consumption (AEC _{hood})	42.3kW/h	
Energy efficiency category	A	
Fluid dynamical efficiency (FDE _{hood})	30.1	
Fluid dynamical efficiency category	A	
Lighting efficiency (LE _{hood})	34 lux/W	
Lighting efficiency category	A	
Grease separation	83.6%	
Grease separation category	C	
Air flow **	327.3m ³ /h	470m ³ /h
Maximum air flow Q _{max}	470 m ³ /h	
Air flow at boost setting	628m ³ /h	
A-rated noise emission **	52 dB	63dB
Power consumption off (P _o)	0.49W	
Power consumption standby (P _s)	0.46W	
Power consumption lighting system (W _l)	3.0 W	
Connected load	253W	
Illuminant	✓ / LED	
Power consumption per illuminant unit	2*1.5W	
Voltage / frequency	220 - 240 V AC / 50-60 Hz	
Height adjustment in cm	50-100	
Grease filter / material / dishwasher-proof	3 aluminium	✓
Carbon filter ***	2*CF02 / optional	
Installation material	✓	
Instruction manual	✓	

VP-WHR60B TECHNICAL DATA*

Type	Cooker hood	
Material	Black stainless steel	
Installation-width in cm	60	
Island installation	×	
Touch control	Touch on SS panel	
Recirculation	✓	
Annual energy consumption (AEC _{hood})	27kW/h	
Energy efficiency category	A++	
Fluid dynamical efficiency (FDE _{hood})	39.4	
Fluid dynamical efficiency category	A	
Lighting efficiency (LE _{hood}) Lighting efficiency category	22.7 lux/W	
Grease separation	69.4 %	
Grease separation category	D	
Air flow **	312.1m ³ /h	602.5 m ³ /h
Maximum air flow Q _{max}	649.9 m ³ /h	
Air flow at boost setting	943ℓ / min	
A-rated noise emission **	74"dB	66 dB
Power consumption off (P _o)	-	
Power consumption standby (P _s)	0.43W	
Power consumption lighting system (W _l)	3.0 W	
Connected load	123W	
Illuminant	✓ / LED	
Power consumption per illuminant unit	1*3 W	
Voltage / frequency	220 - 240 V AC / 50-60 Hz	
Height adjustment in cm	50-100	
Grease filter / material / dishwasher-proof	2	aluminium ✓
Carbon filter ***	2*CF02 / optional	
Installation material	✓	
Instruction manual	✓	

VP-WHR90B TECHNICAL DATA*

Type	Cooker hood		
Material	Black stainless steel		
Installation-width in cm	90		
Island installation	×		
Touch control	Touch on SS panel		
Recirculation	✓		
Annual energy consumption (AEC _{hood})	27.8kW/h		
Energy efficiency category	A++		
Fluid dynamical efficiency (FDE _{hood})	39.4		
Fluid dynamical efficiency category	A		
Lighting efficiency (LE _{hood})	24.8 lux/W		
Lighting efficiency category	B		
Grease separation	71.9 %		
Grease separation category	D		
Air flow **	312.1m ³ /h		602.5 m ³ /h
Maximum air flow Q _{max}	649.9 m ³ /h		
Air flow at boost setting	721.4m ³ /h		
A-rated noise emission **	52 dB		66 dB
Power consumption off (P _o)	-		
Power consumption standby (P _s)	0.43W		
Power consumption lighting system (W _l)	4.0 W		
Connected load	124W		
Illuminant	✓ / LED		
Power consumption per illuminant unit	1*4 W		
Voltage / frequency	220 - 240 V AC / 50-60 Hz		
Height adjustment in cm	50-100		
Grease filter / material / dishwasher-proof	aluminium	3	✓
Carbon filter ***	2*CF02 / optional		
Installation material	✓		
Instruction manual	✓		

NOTES ON ENVIRONMENTAL PROTECTION

- During cooking, make sure that there is sufficient air supply so that the cooker hood can operate efficiently and with low operating noise.
- Adjust the fan speed to the amount of steam produced during cooking. Use the intensive mode only when necessary. The lower the fan speed, the less energy is consumed.
- If large amounts of steam are produced during cooking, select a higher fan speed in good time. If the cooking steam has already dispersed in the kitchen, the cooker hood must be operated longer.
- Switch off the cooker hood when you no longer need it.
- Switch off the lighting when you no longer need it.
- Clean the filter at regular intervals and replace it if necessary to increase the effectiveness of the ventilation system and prevent fire hazards.
- Always put the lid on when cooking to reduce cooking steam and condensation.

DISPOSAL CONSIDERATIONS



If there is a legal regulation for the disposal of electrical and electronic devices in your country, this symbol on the product or on the packaging indicates that this product must not be disposed of with household waste. Instead, it must be taken to a collection point for the recycling of electrical and electronic equipment. By disposing of it in accordance with the rules, you are protecting the environment and the health of your fellow human beings from negative consequences. For information about the recycling and disposal of this product, please contact your local authority or your household waste disposal service.

